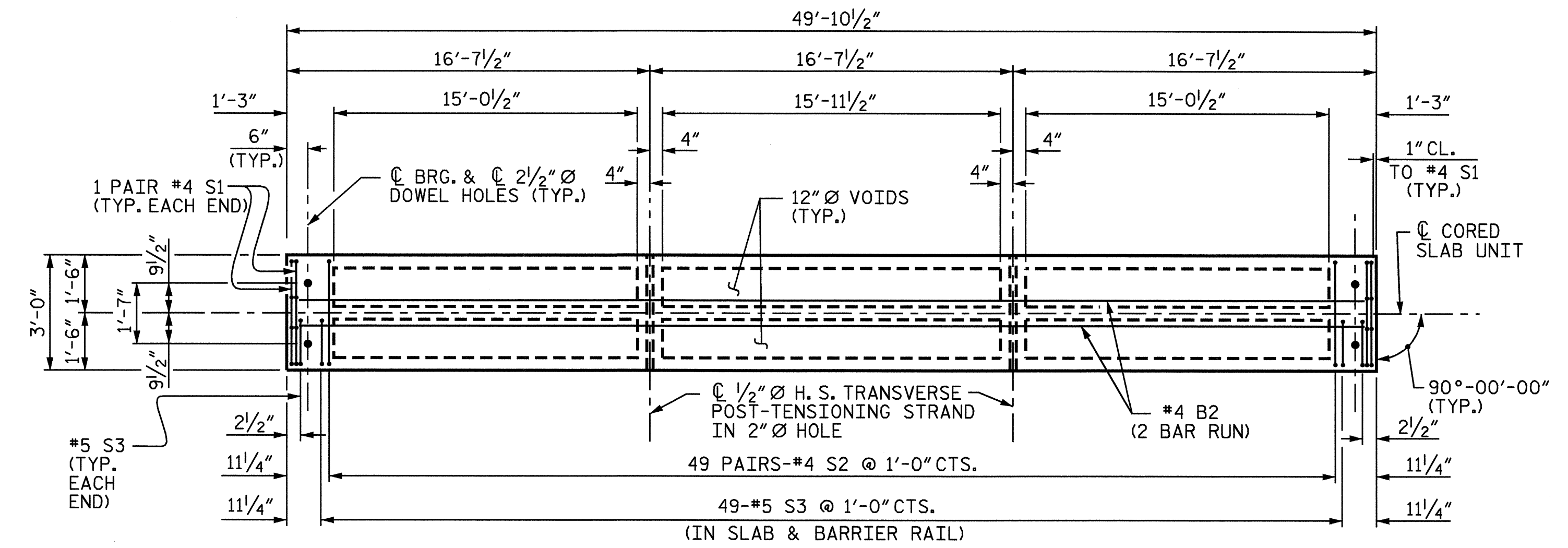
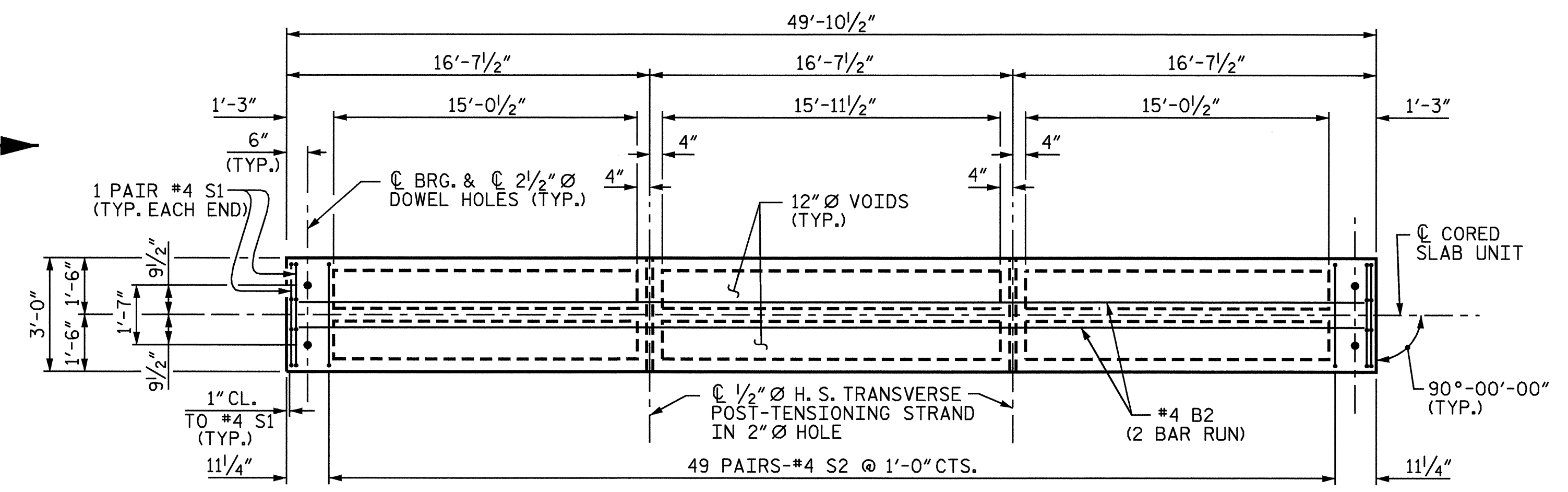


PLAN OF SPAN B



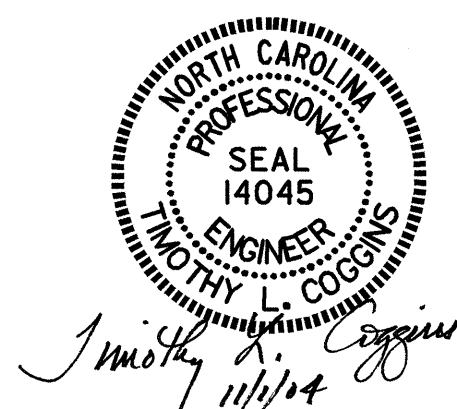
PLAN OF EXTERIOR CORED SLAB UNIT



PLAN OF INTERIOR CORED SLAB UNIT

DRAWN BY : PEGGY ADKINS DATE : 10-03
 CHECKED BY : T. AVERETTE DATE : 11-03

01-NOV-2004 09:40
 W:\equadr\b3711\pdk\Ine\Mforstation\B3711_SD_S1_01.dgn
 padkins



PROJECT NO. B-3711
 WAYNE COUNTY
 STATION: 18+53.50 -L-

SHEET 3 OF 4

STATE OF NORTH CAROLINA DEPARTMENT OF TRANSPORTATION RALEIGH					
SUPERSTRUCTURE PLAN OF SPAN "B"					
REVISIONS					
NO.	BY:	DATE:	NO.	BY:	DATE:
1			3		
2			4		
					SHEET NO. S-6
					TOTAL SHEETS 19

NC005