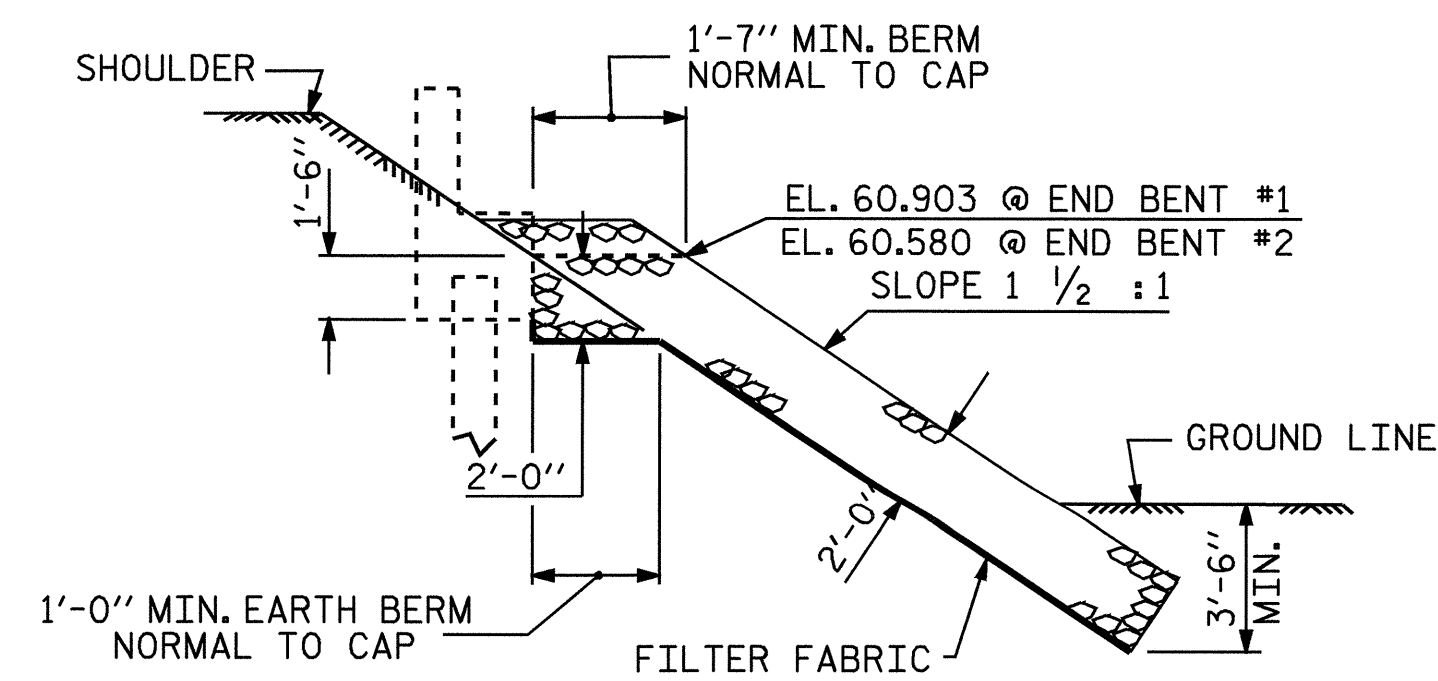
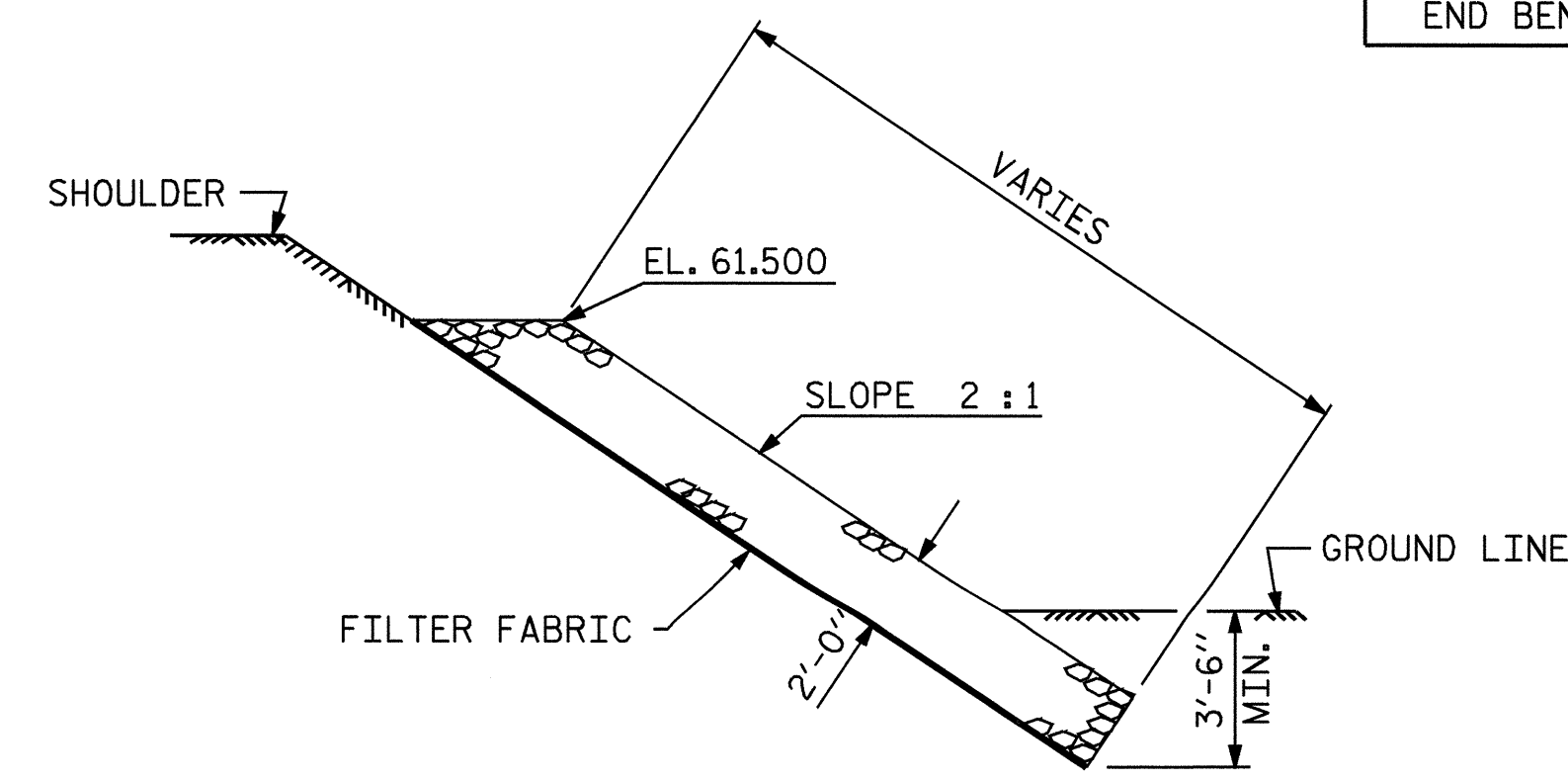


PLAN OF RIP RAP

ESTIMATED QUANTITIES		
BRIDGE @ STA. 18+53.50 -L-	PLAIN RIP RAP CLASS II	FILTER FABRIC FOR DRAINAGE
	TONS	SQUARE YARDS
END BENT 1	127	141
END BENT 2	122	136



SECTION H-H



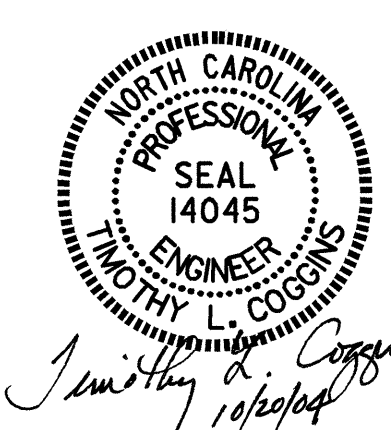
SECTION C-C

PROJECT NO. B-3711
WAYNE COUNTY
 STATION: 18+53.50 -L-

STATE OF NORTH CAROLINA
 DEPARTMENT OF TRANSPORTATION
 RALEIGH

RIP RAP DETAILS

REVISIONS						SHEET NO. S-16
NO.	BY:	DATE:	NO.	BY:	DATE:	
1			3			TOTAL SHEETS 19
2			4			



DRAWN BY: PEGGY ADKINS DATE: 10-03
 CHECKED BY: T. AVERETTE DATE: 12-03