

TIP PROJECT: B-3711

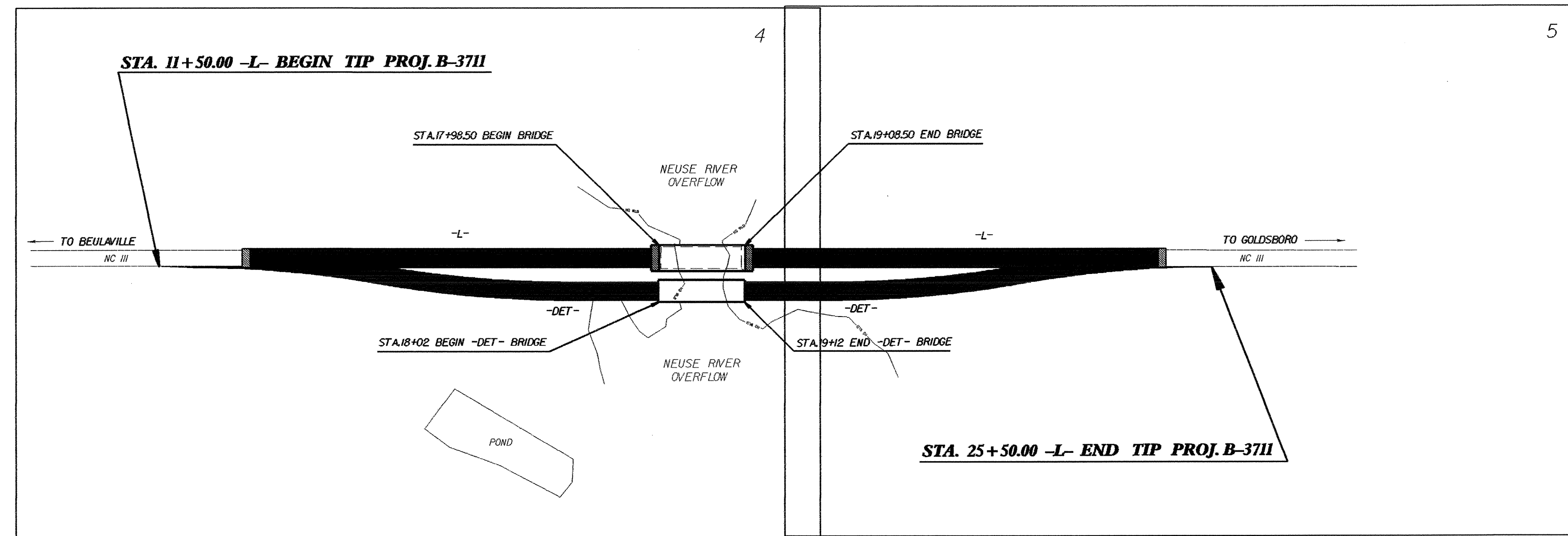
STATE OF NORTH CAROLINA
 DIVISION OF HIGHWAYS
 PLAN FOR PROPOSED
 HIGHWAY EROSION CONTROL
WAYNE COUNTY

LOCATION: BRIDGE NO. 42 OVER NEUSE RIVER OVERFLOW ON NC III
TYPE OF WORK: GRADING, DRAINAGE, PAVING, AND STRUCTURES

STATE	STATE PROJECT REFERENCE NO.	SHEET NO.	TOTAL SHEETS
N.C.	B-3711	EC-1	
STATE PROJ. NO.	F.A. PROJ. NO.	DESCRIPTION	

EROSION AND SEDIMENT CONTROL MEASURES

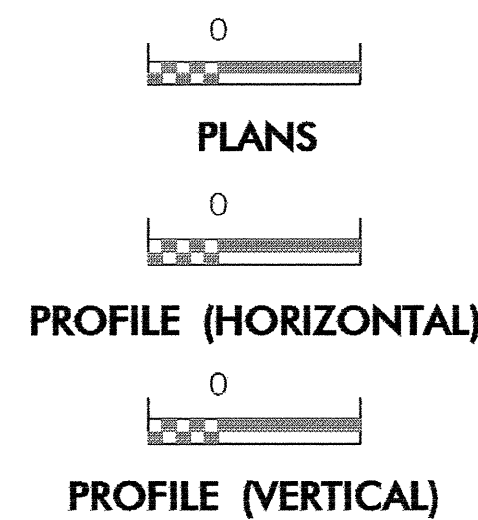
Std. #	Description	Symbol
	Reforestation	
1630.03	Temporary Silt Ditch	
1630.05	Temporary Diversion	
1605.01	Temporary Silt Fence	
1606.01	Special Sediment Control Fence	
1622.01	Temporary Berms and Slope Drains	
1630.01	Riser Basin	
1630.02	Silt Basin Type B	
1633.01	Temporary Rock Silt Check Type-A	
1633.02	Temporary Rock Silt Check Type-B	
1634.01	Temporary Rock Sediment Dam Type-A	
1634.02	Temporary Rock Sediment Dam Type-B	
1635.01	Rock Pipe Inlet Sediment Trap Type-A	
1635.02	Rock Pipe Inlet Sediment Trap Type-B	
1636.01	Rock Silt Screen	
1630.04	Stilling Basin	
	Rock Inlet Sediment Trap:	
1632.01	Type A	OR
1632.02	Type B	OR
1632.03	Type C	OR



**THIS PROJECT CONTAINS
 EROSION CONTROL PLANS
 FOR CLEARING AND
 GRUBBING PHASE OF
 CONSTRUCTION.**

**ENVIRONMENTALLY
 SENSITIVE AREA(S) EXIST
 ON THIS PROJECT**
 Refer To E. C. Special Provisions
 for Special Considerations.

GRAPHIC SCALE



ROADSIDE ENVIRONMENTAL UNIT
 DIVISION OF HIGHWAYS
 STATE OF NORTH CAROLINA

Prepared in the Office of:
ROADSIDE ENVIRONMENTAL UNIT
 1 South Wilmington St.
 Raleigh, NC 27611
2002 STANDARD SPECIFICATIONS

Roadway Standard Drawings

The following roadway english standards as appear in "Roadway Standard Drawings"- Roadway Design Unit - N. C. Department of Transportation - Raleigh, N. C., dated January 20, 2002 and the latest revision thereto are applicable to this project and by reference hereby are considered a part of these plans.

1605.01 Temporary Silt Fence	1632.03 Rock Inlet Sediment Trap Type C
1622.01 Temporary Berms and Slope Drains	1633.01 Temporary Rock Silt Check Type A
1630.03 Temporary Silt Ditch	1634.02 Temporary Rock Sediment Dam Type B