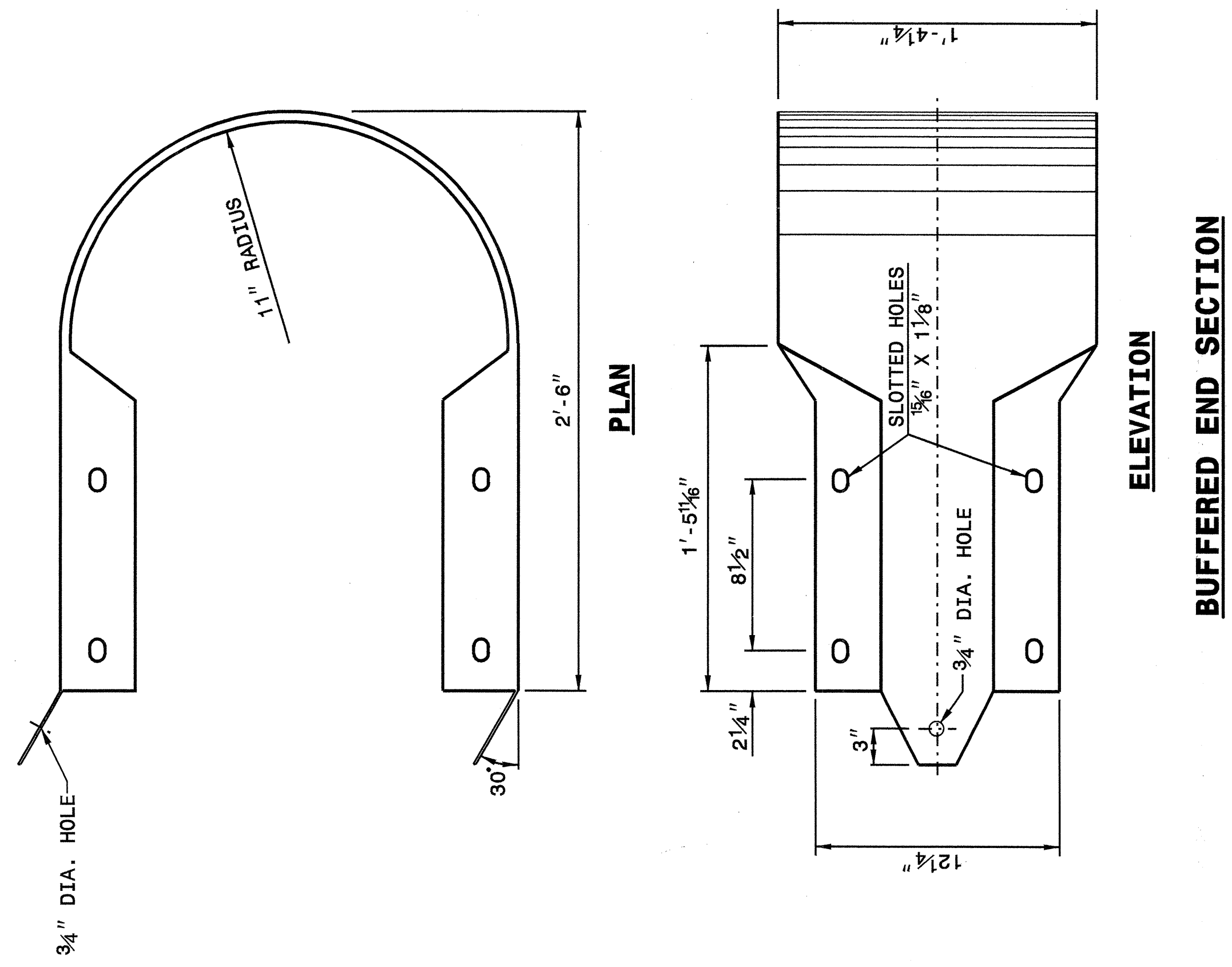


STATE OF NORTH CAROLINA
DEPT. OF TRANSPORTATION
RALEIGH, N.C.

ENGLISH DETAIL DRAWING FOR
GUARDRAIL INSTALLATION

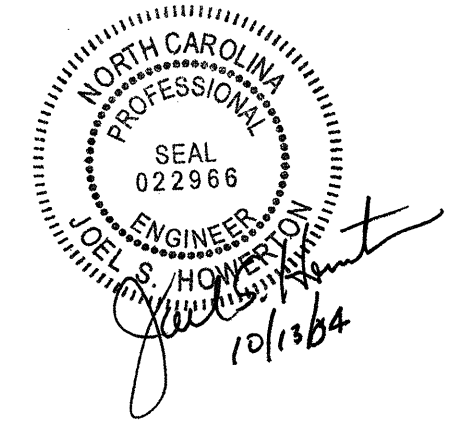
SHEET 7 OF 7
862D02



STATE OF NORTH CAROLINA
DEPT. OF TRANSPORTATION
DIVISION OF HIGHWAYS
RALEIGH, N.C.

ENGLISH DETAIL DRAWING FOR
GUARDRAIL INSTALLATION

SHEET 7 OF 7
862D02



**DESIGN SERVICES UNIT
STANDARDS AND SPECIAL DESIGN**
Office 919-250-4128 FAX 919-250-4119

SEE PLATE FOR TITLE

ORIGINAL BY: 2002 STD.862.02 DATE: _____
 MODIFIED BY: E.E. WARD DATE: 02-09-03
 CHECKED BY: *[Signature]* DATE: 5-03
 FILE SPEC.: /usr/stdg/02todetail/english/86202/862D02.dgn

I:\MAY-2003\14504
 W:\Special_Details\erickward\stds\02\Stds to Special_Details/english\86202\0862d02.dgn
 erickward AT DS188660

5/14/99