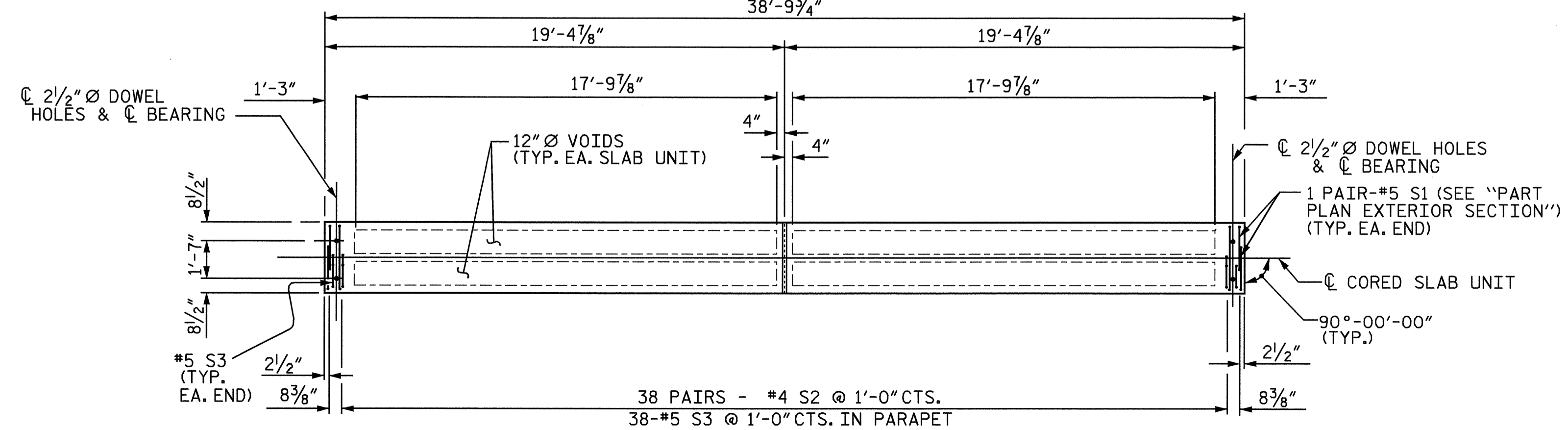


SPAN A

#4B1 SPLICE LENGTH=1'-9"



PLAN OF EXTERIOR SLAB

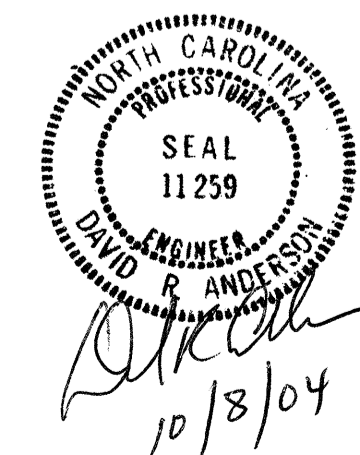
PLAN FOR INTERIOR SLAB IDENTICAL EXCEPT OMIT S3 BARS

PROJECT NO. B-3704
WAKE COUNTY
 STATION: 17+05.00 -L-

SHEET 2 OF 9

STATE OF NORTH CAROLINA
 DEPARTMENT OF TRANSPORTATION
 RALEIGH

SUPERSTRUCTURE
 PLAN OF SPANS



DRAWN BY : N. Q. TRAN DATE : 4-4-04
 CHECKED BY : M. A. ALLEN DATE : 5-4-04

REVISIONS						SHEET NO.
NO.	BY:	DATE:	NO.	BY:	DATE:	S-5
1			3			TOTAL SHEETS
2			4			23