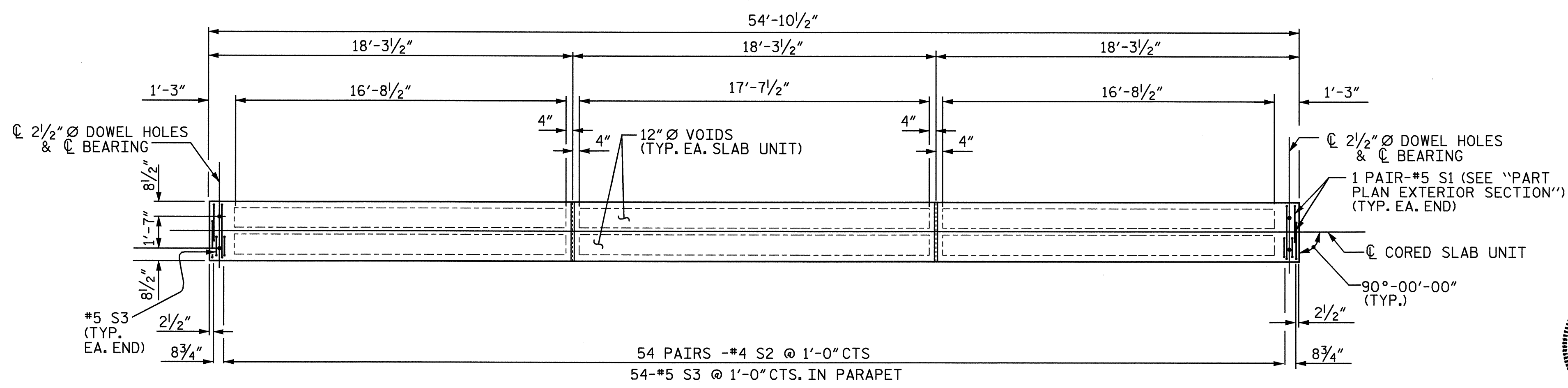


**SPAN B**

#4B1 SPLICE LENGTH = 1'-9"

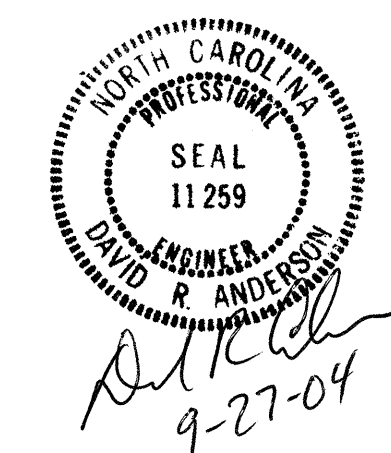


**PLAN OF EXTERIOR SLAB**

PLAN FOR INTERIOR SLAB IDENTICAL EXCEPT OMIT S3 BARS

PROJECT NO. B-3704  
WAKE COUNTY  
 STATION: 17+05.00 -L-  
 SHEET 3 OF 9

STATE OF NORTH CAROLINA DEPARTMENT OF TRANSPORTATION RALEIGH					
SUPERSTRUCTURE PLAN OF SPANS					
SHEET NO. <b>5-6</b>					
TOTAL SHEETS <b>23</b>					
REVISIONS					
NO.	BY:	DATE:	NO.	BY:	DATE:
1			3		
2			4		



DRAWN BY: N. Q. TRAN DATE: 4-4-04  
 CHECKED BY: M. A. ALLEN DATE: 5-4-04