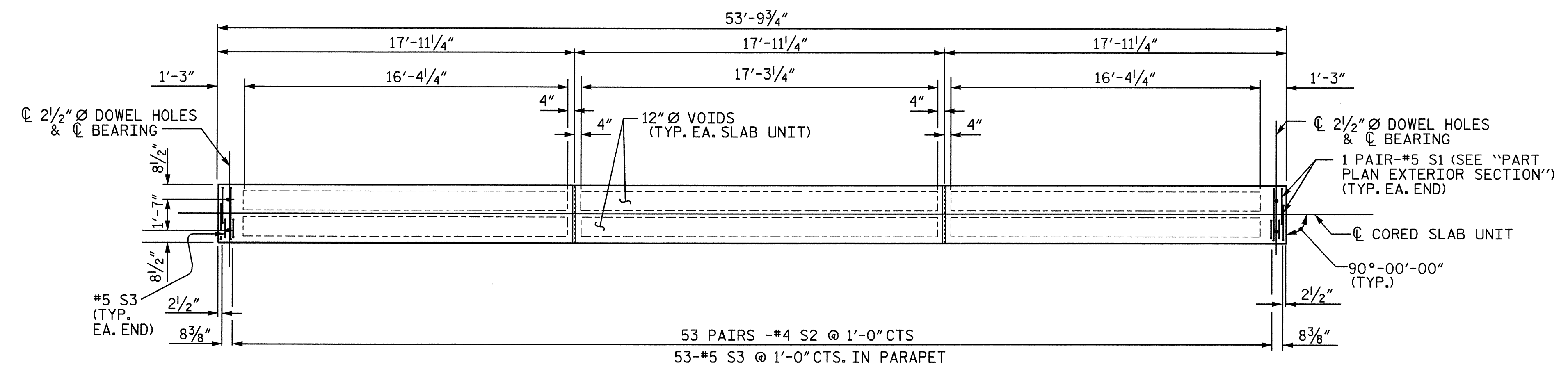


SPAN C
#4B3 SPLICE LENGTH=1'-9"



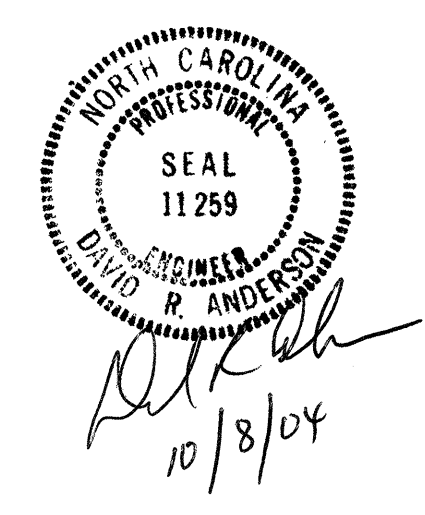
PLAN OF EXTERIOR SLAB

PLAN FOR INTERIOR SLAB IDENTICAL EXCEPT OMIT S3 BARS

PROJECT NO. B-3704
WAKE COUNTY
 STATION: 17+05.00 -L-
 SHEET 4 OF 9

STATE OF NORTH CAROLINA
 DEPARTMENT OF TRANSPORTATION
 RALEIGH

**SUPERSTRUCTURE
 PLAN OF SPANS**



REVISIONS						SHEET NO.
NO.	BY:	DATE:	NO.	BY:	DATE:	S-7
1			3			TOTAL SHEETS
2			4			23

DRAWN BY: N. Q. TRAN DATE: 4-4-04
 CHECKED BY: M. A. ALLEN DATE: 5-4-04