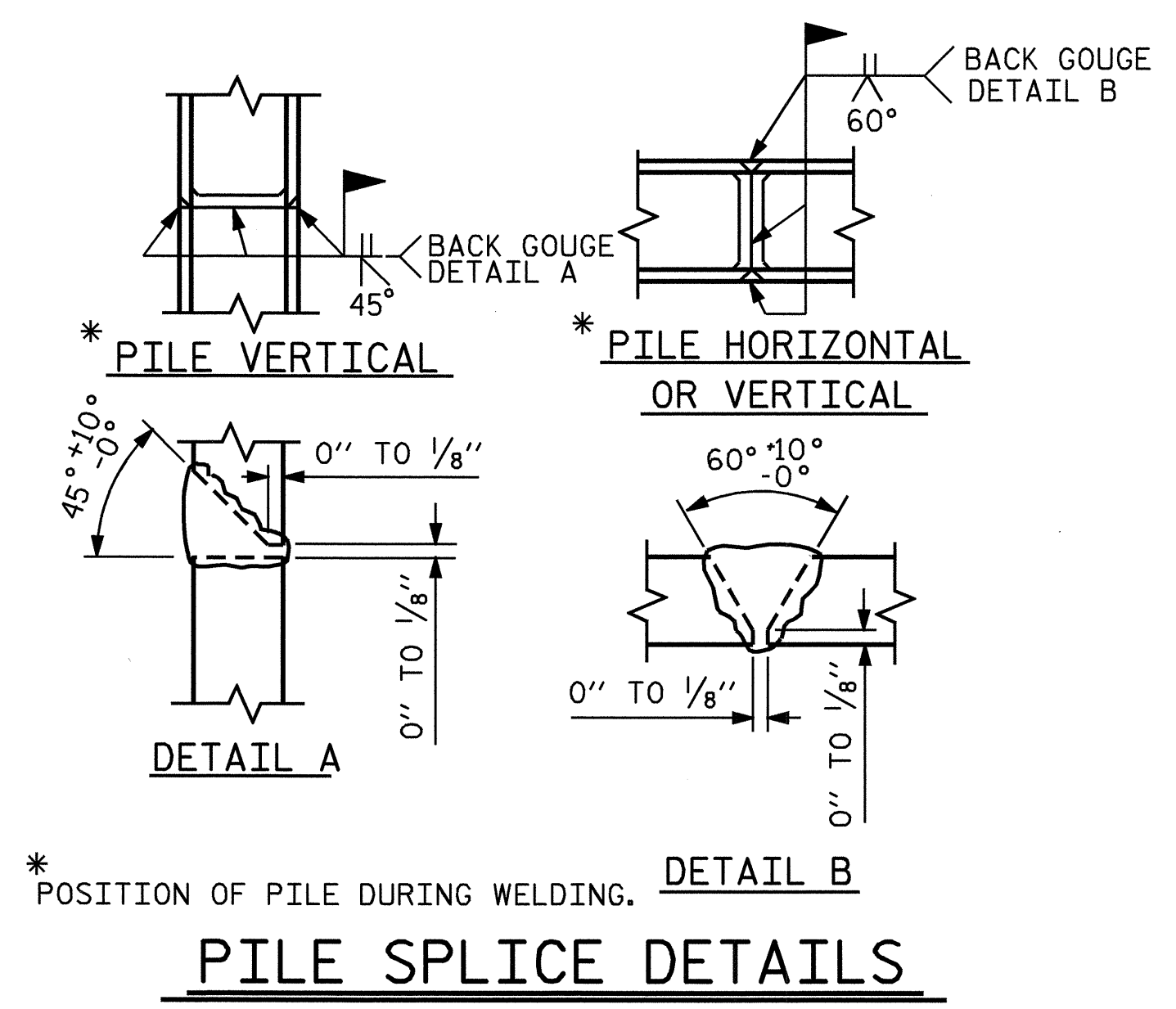
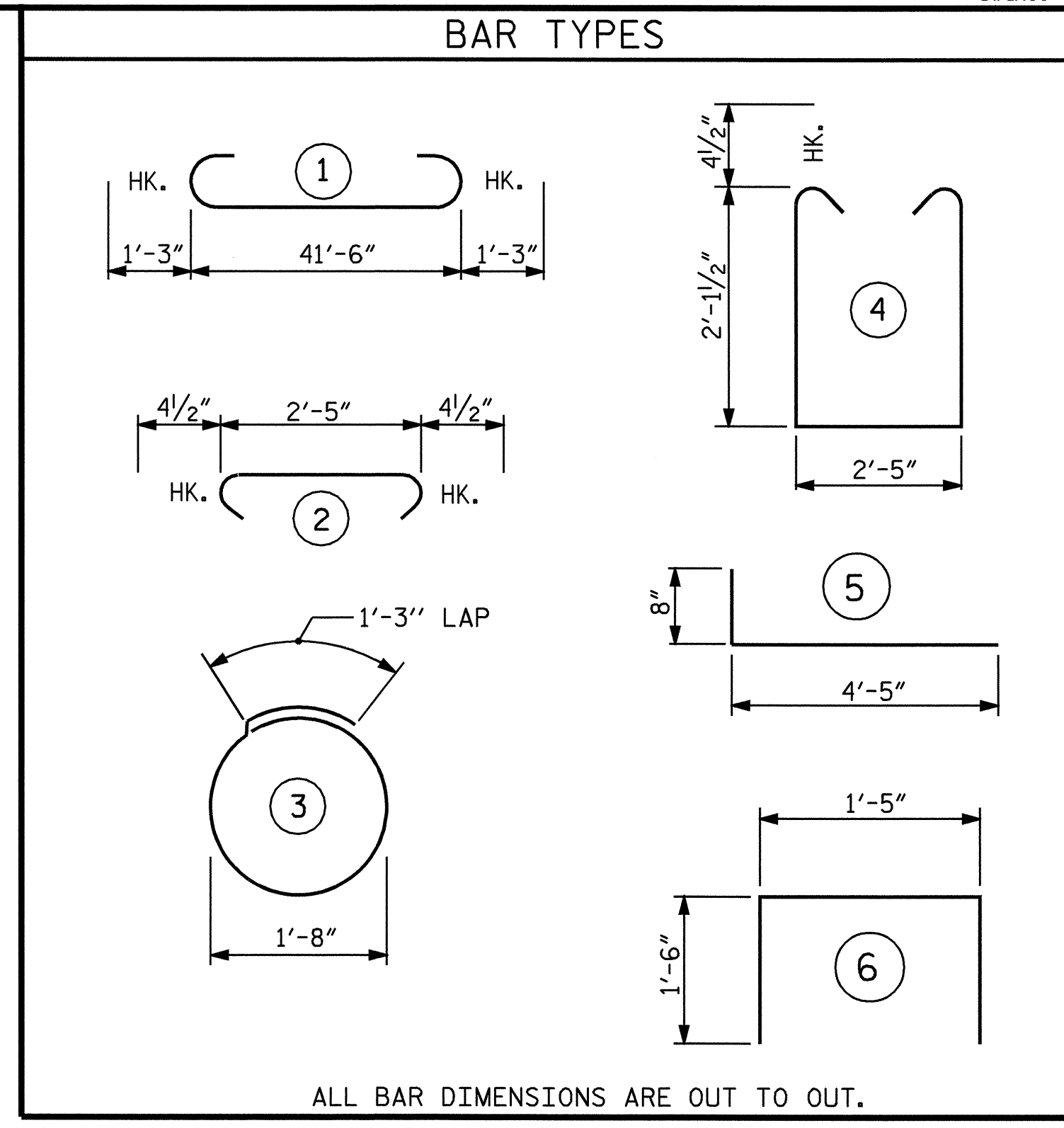


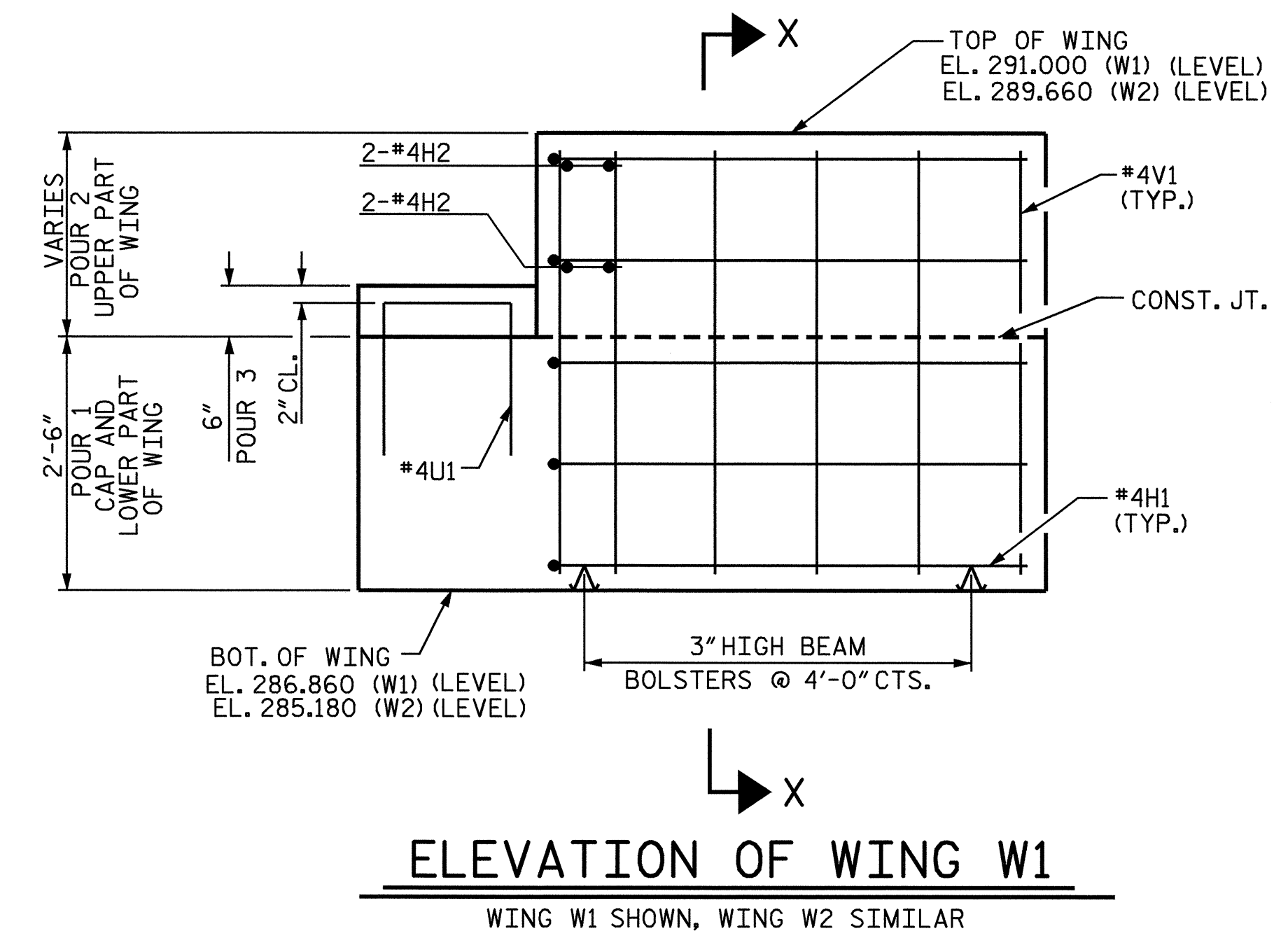
PLAN OF WING-W1
WING W1 SHOWN, WING W2 SIMILAR



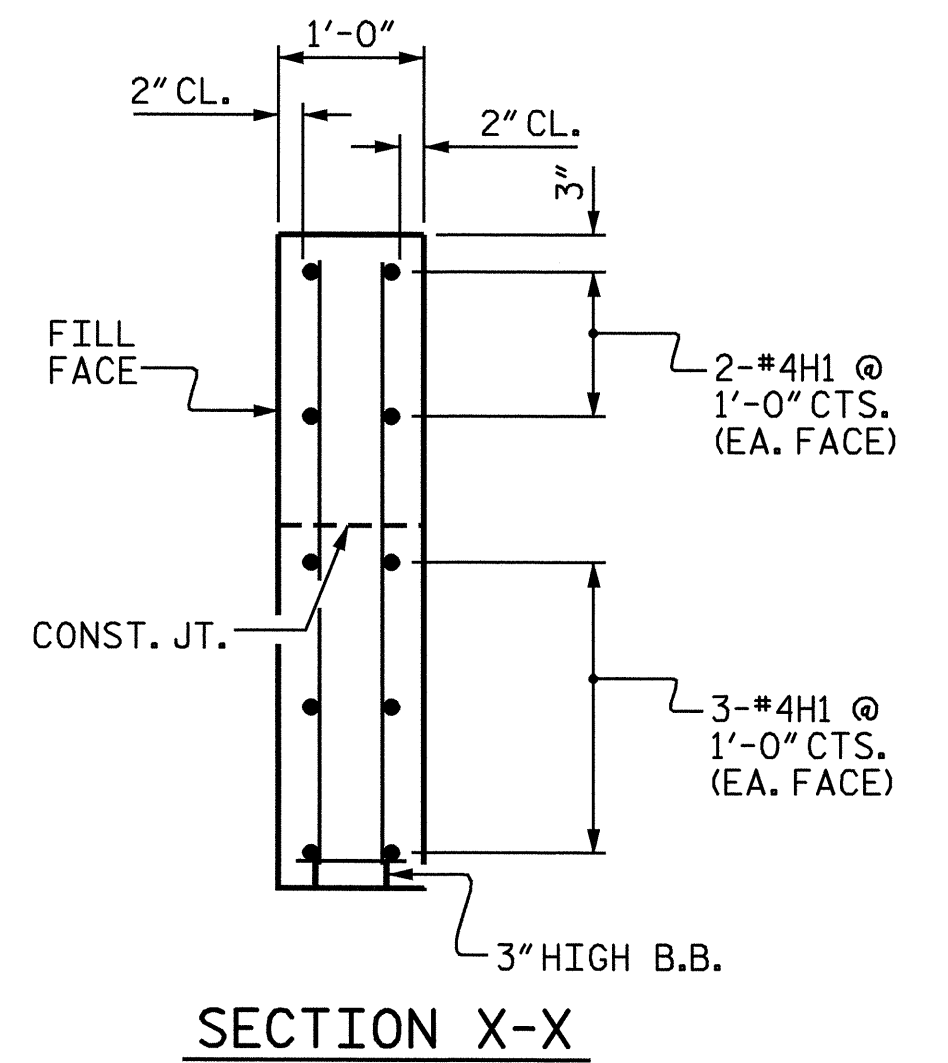
PILE SPLICE DETAILS



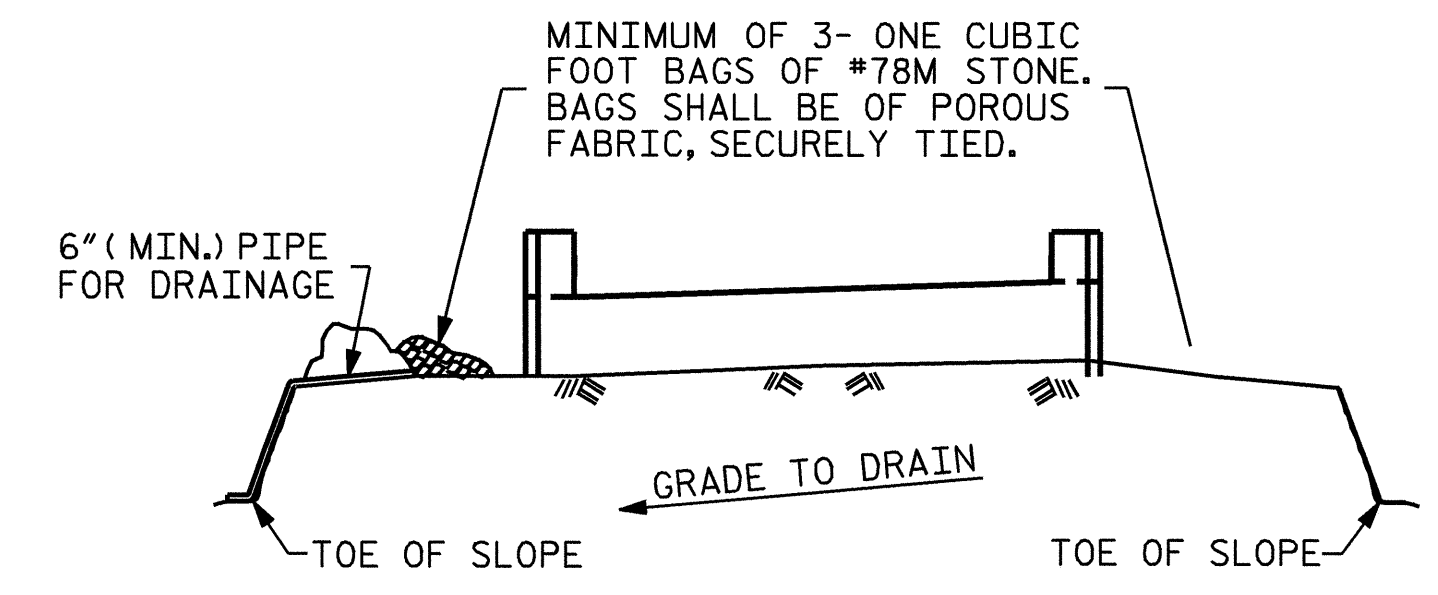
BILL OF MATERIAL					
BAR	NO.	SIZE	TYPE	LENGTH	WEIGHT
B1	8	9	1	44'-0"	1196
B2	2	5	STR	41'-6"	87
B3	8	4	STR	22'-1"	118
B4	11	4	STR	2'-5"	18
D1	24	6	STR	1'-6"	54
H1	20	4	5	5'-1"	68
H2	8	4	STR	3'-1"	16
S1	37	4	4	7'-5"	183
S2	37	4	2	3'-2"	78
S3	16	4	3	6'-6"	69
U1	4	4	6	4'-5"	12
V1	36	4	STR	4'-1"	98
REINFORCING STEEL					1997 LBS.
CLASS A CONCRETE BREAKDOWN					
POUR 1 - CAP AND LOWER PORTION OF WINGS					11.4 C.Y.
POUR 2 - UPPER PORTION OF WINGS					1.2 C.Y.
POUR 3 - LATERAL GUIDES					0.1 C.Y.
CLASS A CONCRETE TOTAL					12.7 C.Y.
HP 12 x 53 STEEL PILES					
NO. 8					248 LIN. FEET



ELEVATION OF WING W1
WING W1 SHOWN, WING W2 SIMILAR



SECTION X-X



BAGGED STONE AND PIPE SHALL BE PLACED IMMEDIATELY AFTER COMPLETION OF END BENT EXCAVATION. PIPE MAY BE EITHER CONCRETE, CORRUGATED STEEL, CORRUGATED ALUMINUM ALLOY, OR CORRUGATED PLASTIC. PERFORATED PIPE WILL NOT BE ALLOWED.

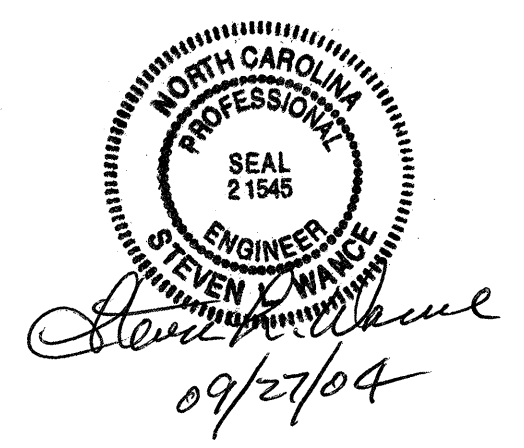
BAGGED STONE SHALL REMAIN IN PLACE UNTIL THE ENGINEER DIRECTS THAT IT BE REMOVED. THE CONTRACTOR SHALL REMOVE AND DISPOSE OF SILT ACCUMULATIONS AT BAGGED STONE WHEN SO DIRECTED BY THE ENGINEER. BAGS SHALL BE REMOVED AND REPLACED WHENEVER THE ENGINEER DETERMINES THAT THEY HAVE DETERIORATED AND LOST THEIR EFFECTIVENESS.

NO SEPARATE PAYMENT WILL BE MADE FOR THIS WORK AND THE ENTIRE COST OF THIS WORK SHALL BE INCLUDED IN THE UNIT CONTRACT PRICE BID FOR THE SEVERAL PAY ITEMS.

TEMPORARY DRAINAGE AT END BENT

PROJECT NO. B-3704
WAKE COUNTY
STATION: 17+05.00 -L-

SHEET 2 OF 2



STATE OF NORTH CAROLINA DEPARTMENT OF TRANSPORTATION RALEIGH					
SUBSTRUCTURE END BENT 2					
REVISIONS					
NO.	BY:	DATE:	NO.	BY:	DATE:
1			3		
2			4		

SHEET NO. S-20
TOTAL SHEETS 23

DRAWN BY: SWANCE PE DATE 01/20/04
CHECKED BY: N. Q. TRAN DATE 04/20/04