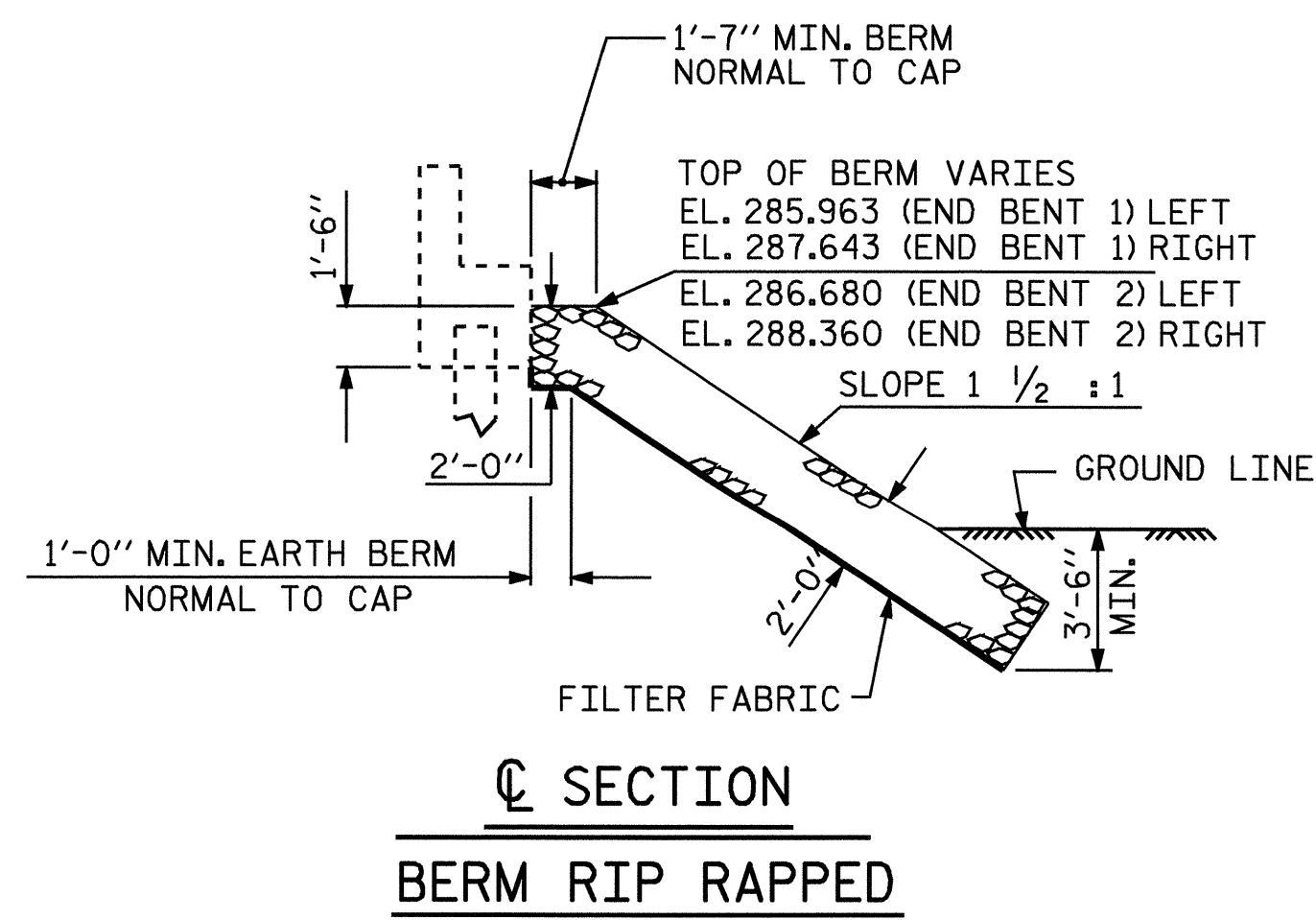
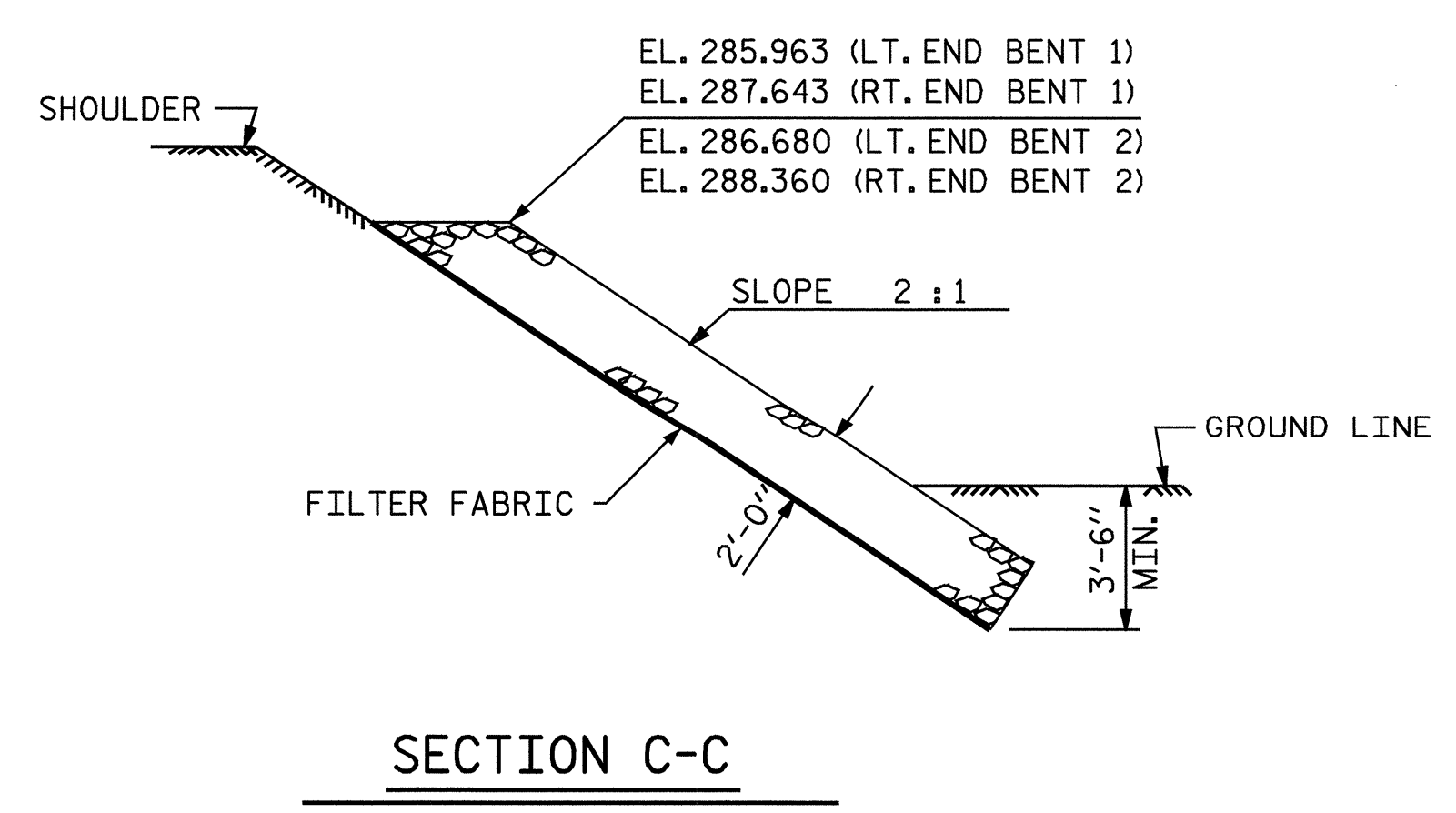


PLAN OF RIP RAP

ESTIMATED QUANTITIES		
BRIDGE @ STA. 17+05.00 -L-	PLAIN RIP RAP CLASS II	FILTER FABRIC FOR DRAINAGE
	TONS	SQUARE YARDS
END BENT 1	465	573
END BENT 2	455	503



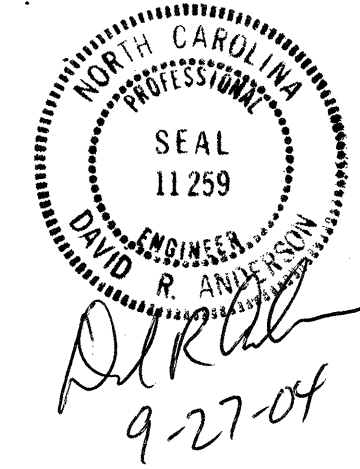
SECTION C-C
BERM RIP RAPPED



SECTION C-C

NOTES
 FILTER FABRIC SHALL BE PLACED UNDER ENTIRE AREA OF RIP RAP
 THE COST OF THE FILTER FABRIC SHALL BE INCLUDED IN THE CONTRACT PRICE BID FOR PLAIN RIP RAP CLASS II.

PROJECT NO. B-3704
WAKE COUNTY
 STATION: 17+05.00 -L-



STATE OF NORTH CAROLINA DEPARTMENT OF TRANSPORTATION RALEIGH						SHEET NO. 5-21
STANDARD RIP RAP DETAILS						
REVISIONS						TOTAL SHEETS 23
NO.	BY:	DATE:	NO.	BY:	DATE:	
1			3			
2			4			

ASSEMBLED BY : S. M. RASHIDI	DATE : 10/27/03
CHECKED BY : N. TRAN	DATE : 10/27/03
DRAWN BY : FCJ 2/88	REV. 7/17/98 REK/RWW
CHECKED BY : ARB 8/88	REV. 8/16/99 RWW/LES
	REV. 10/17/00 RWW/LES