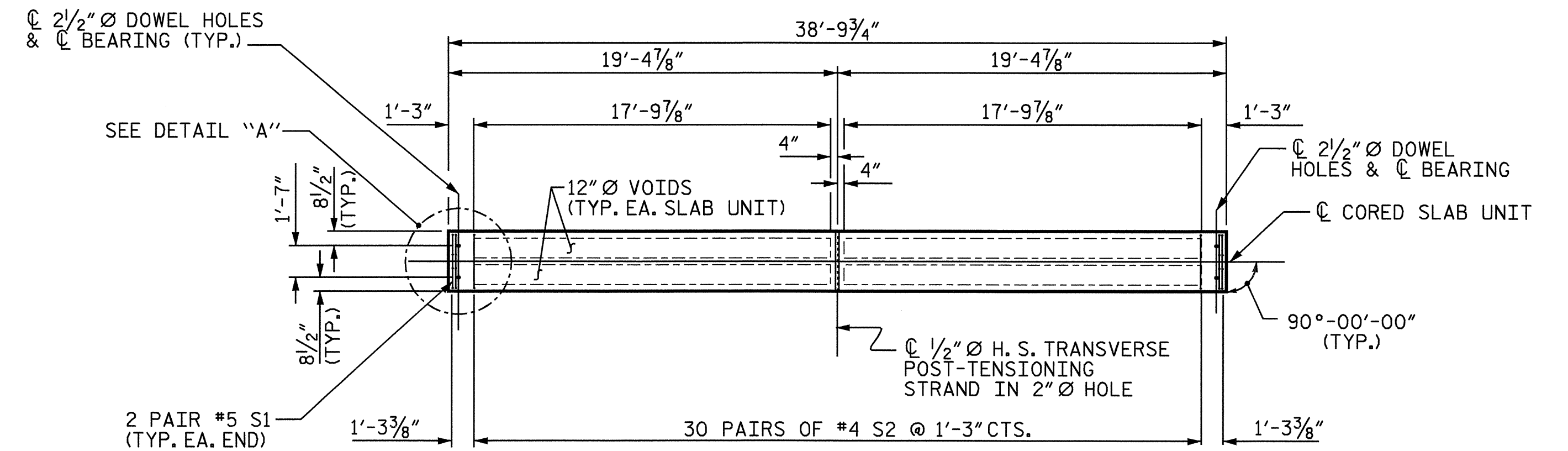
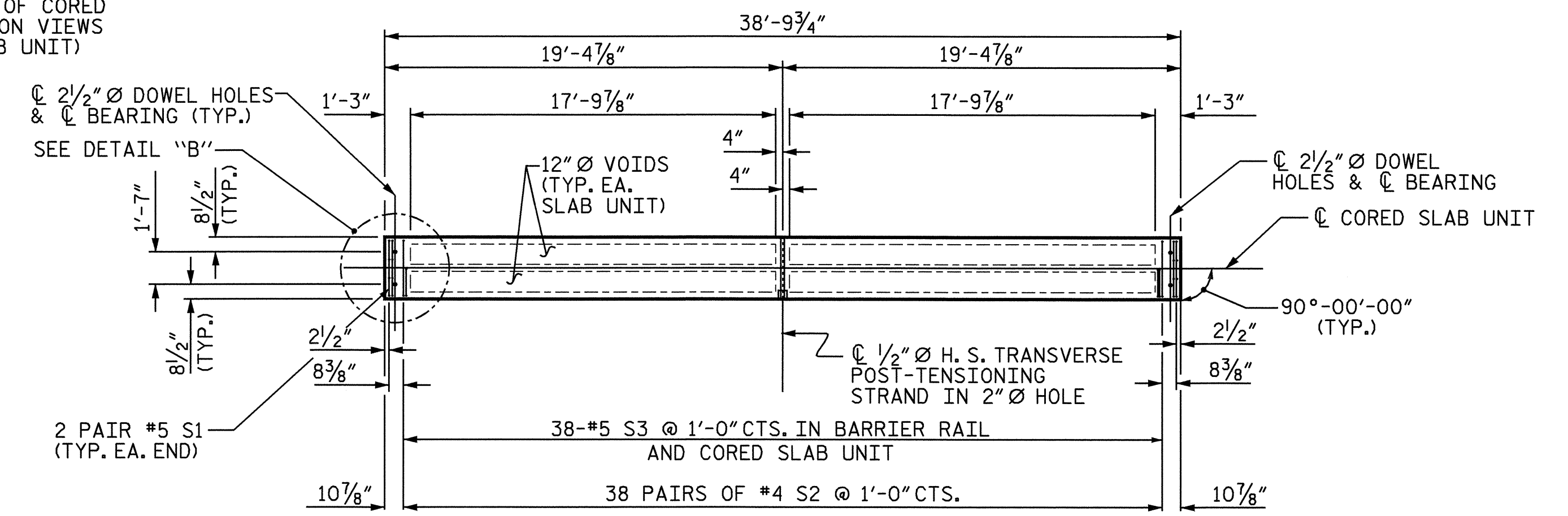


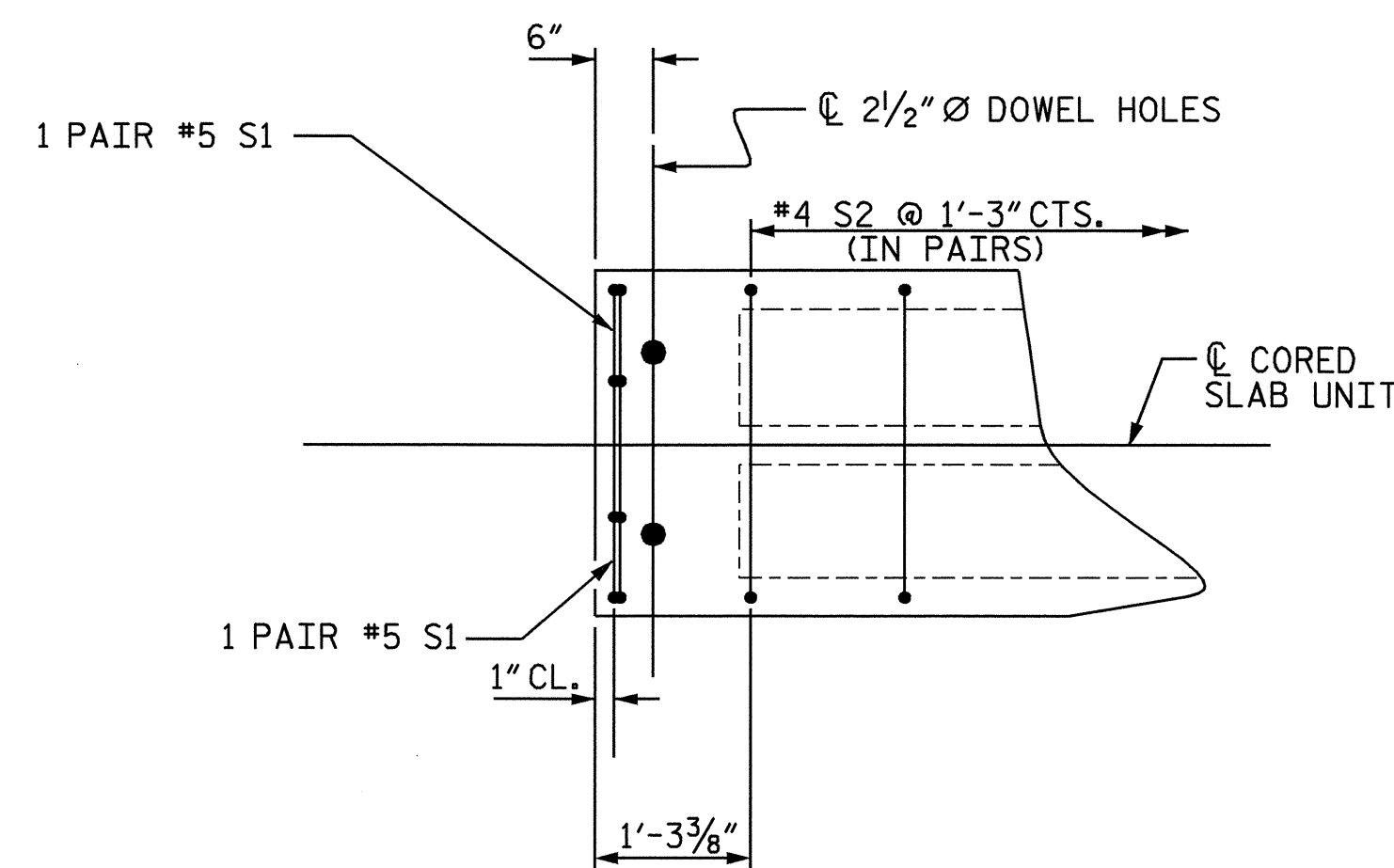
PLAN OF SPAN A



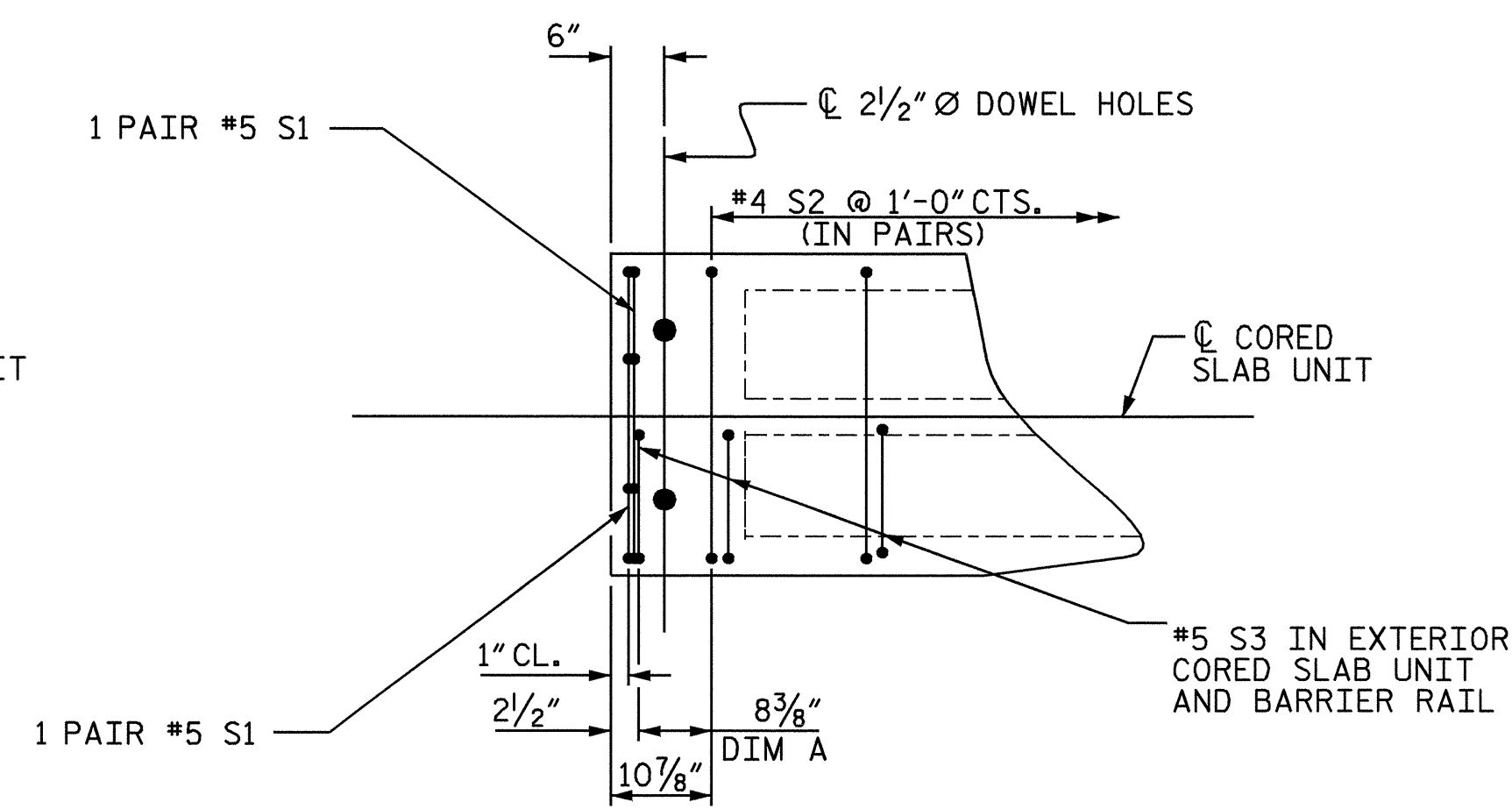
PLAN OF INTERIOR CORED SLAB UNIT



PLAN OF EXTERIOR CORED SLAB UNIT



DETAIL "A"  
(TYP. EA. END)



DETAIL "B"  
(TYP. EA. END)

DRAWN BY : R. G. EMERSON DATE : 8/03  
 CHECKED BY : S. B. WILLIAMS DATE : 11/03



PROJECT NO. B-4270  
SAMPSON COUNTY  
 STATION: 14+60.00 -L-

SHEET 2 OF 6

STATE OF NORTH CAROLINA  
 DEPARTMENT OF TRANSPORTATION  
 RALEIGH

SUPERSTRUCTURE  
 PLAN OF SPAN A

REVISIONS						SHEET NO.
NO.	BY:	DATE:	NO.	BY:	DATE:	
1			3			S-5
2			4			TOTAL SHEETS 23