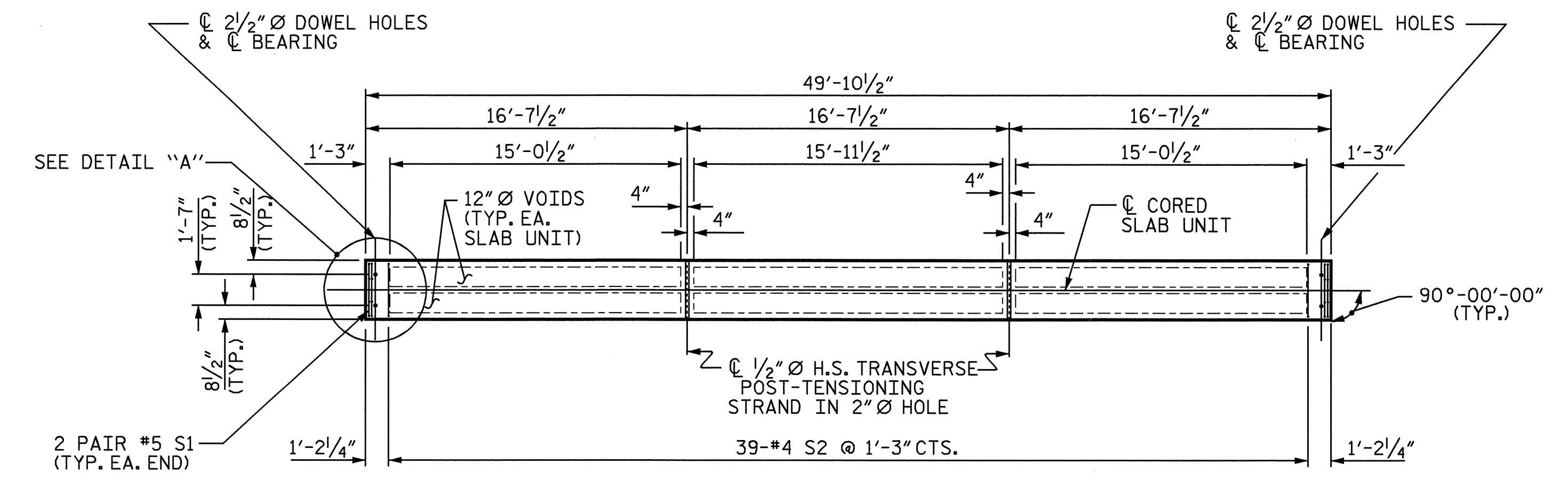
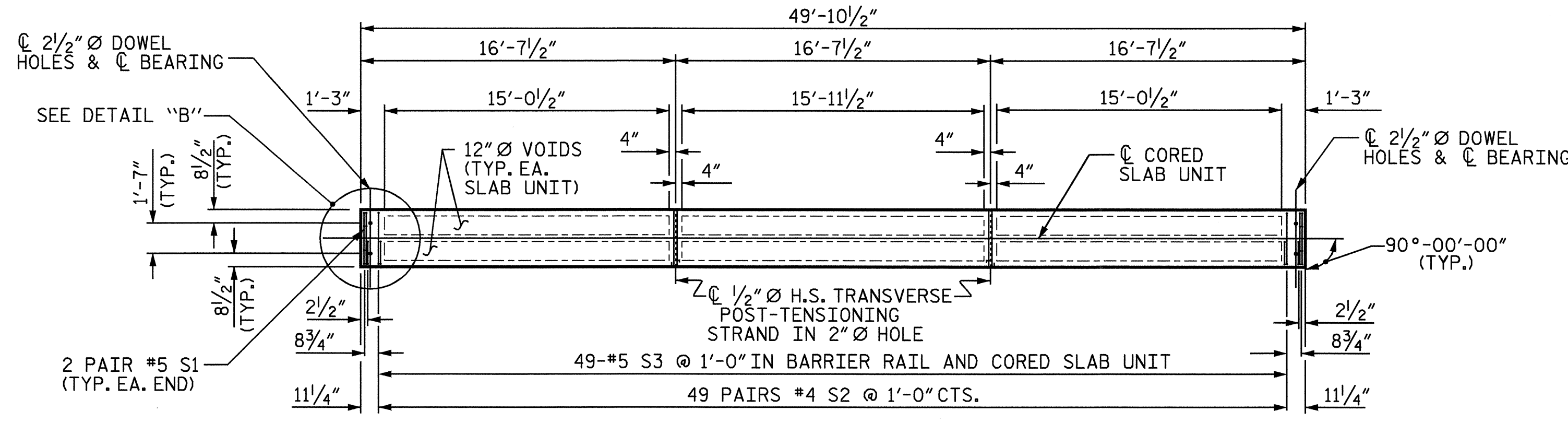


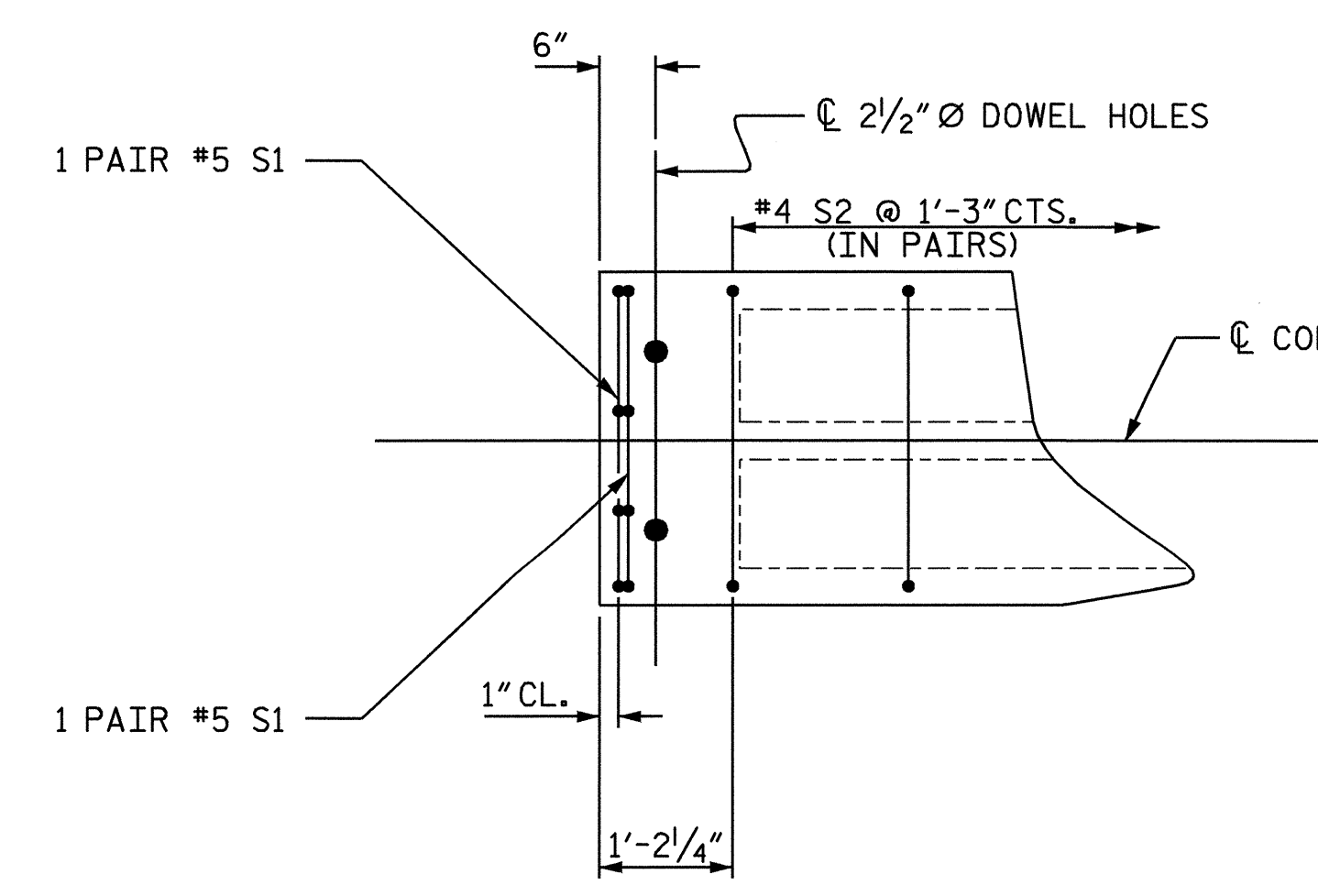
**PLAN OF SPAN B**



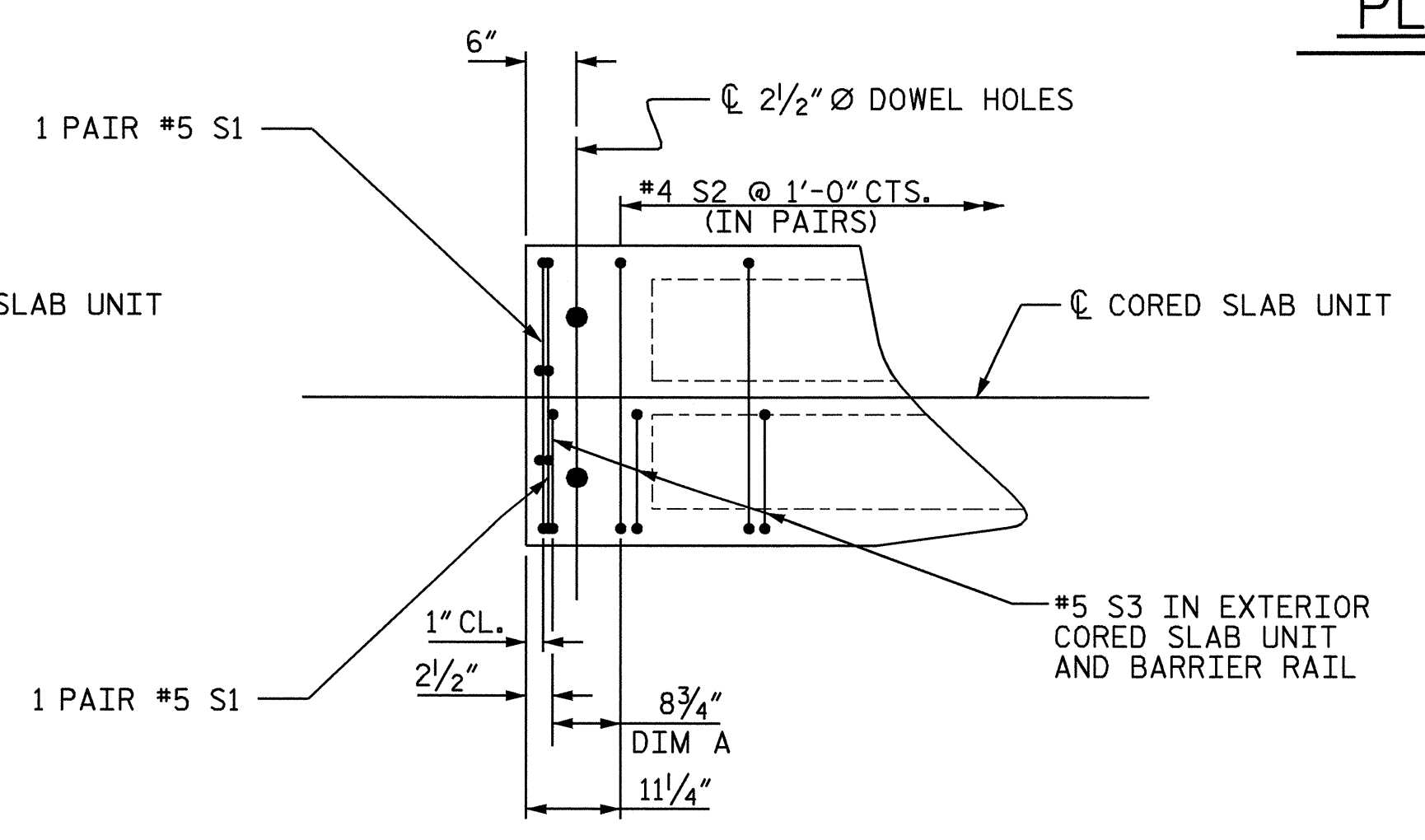
**PLAN OF INTERIOR CORED SLAB UNIT**



**PLAN OF EXTERIOR CORED SLAB UNIT**



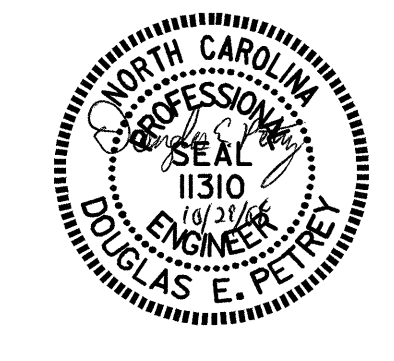
**DETAIL "A"**  
(TYP. EA. END)



**DETAIL "B"**  
(TYP. EA. END)

PROJECT NO. B-4270  
SAMPSON COUNTY  
 STATION: 14+60.00 -L-  
 SHEET 3 OF 6

STATE OF NORTH CAROLINA  
 DEPARTMENT OF TRANSPORTATION  
 RALEIGH  
 SUPERSTRUCTURE  
 PLAN OF SPAN B



DRAWN BY: R. G. EMERSON DATE: 8/03  
 CHECKED BY: S. B. WILLIAMS DATE: 11/03

REVISIONS						SHEET NO.
NO.	BY:	DATE:	NO.	BY:	DATE:	S-6
1			3			TOTAL SHEETS
2			4			23