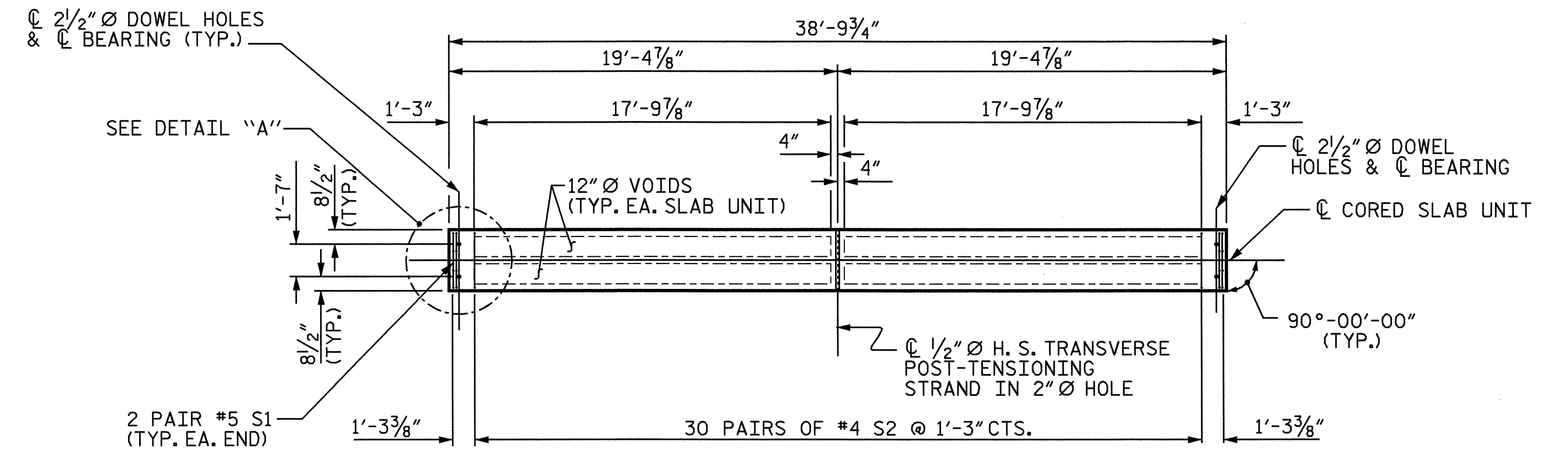
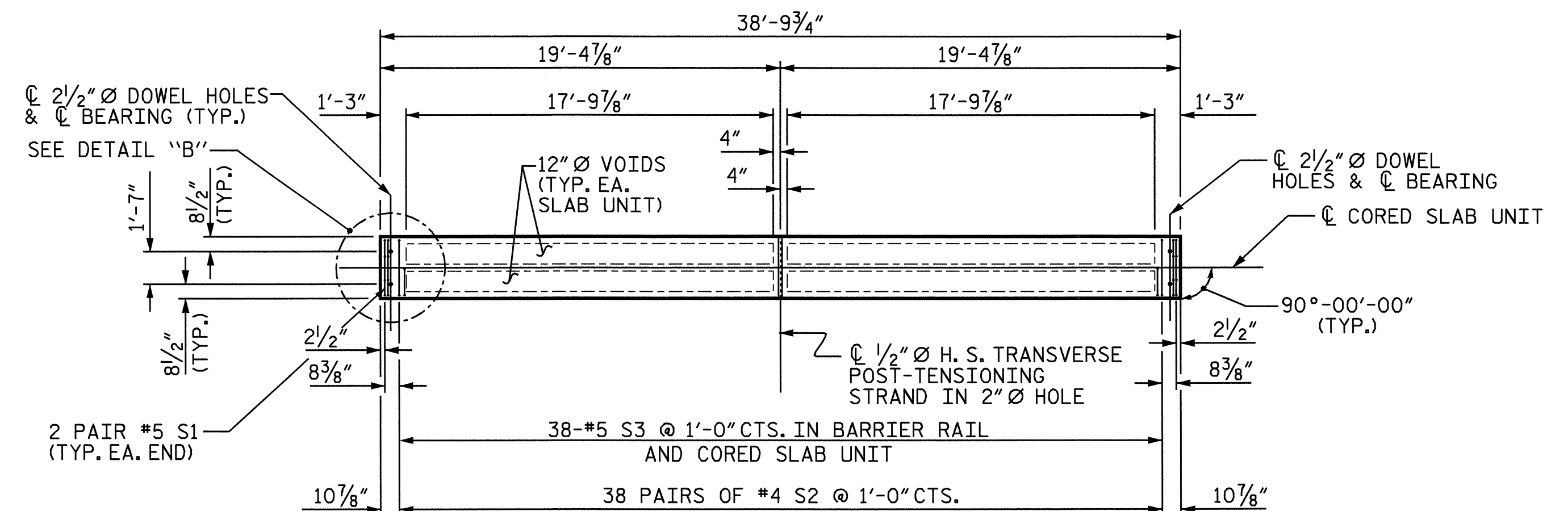


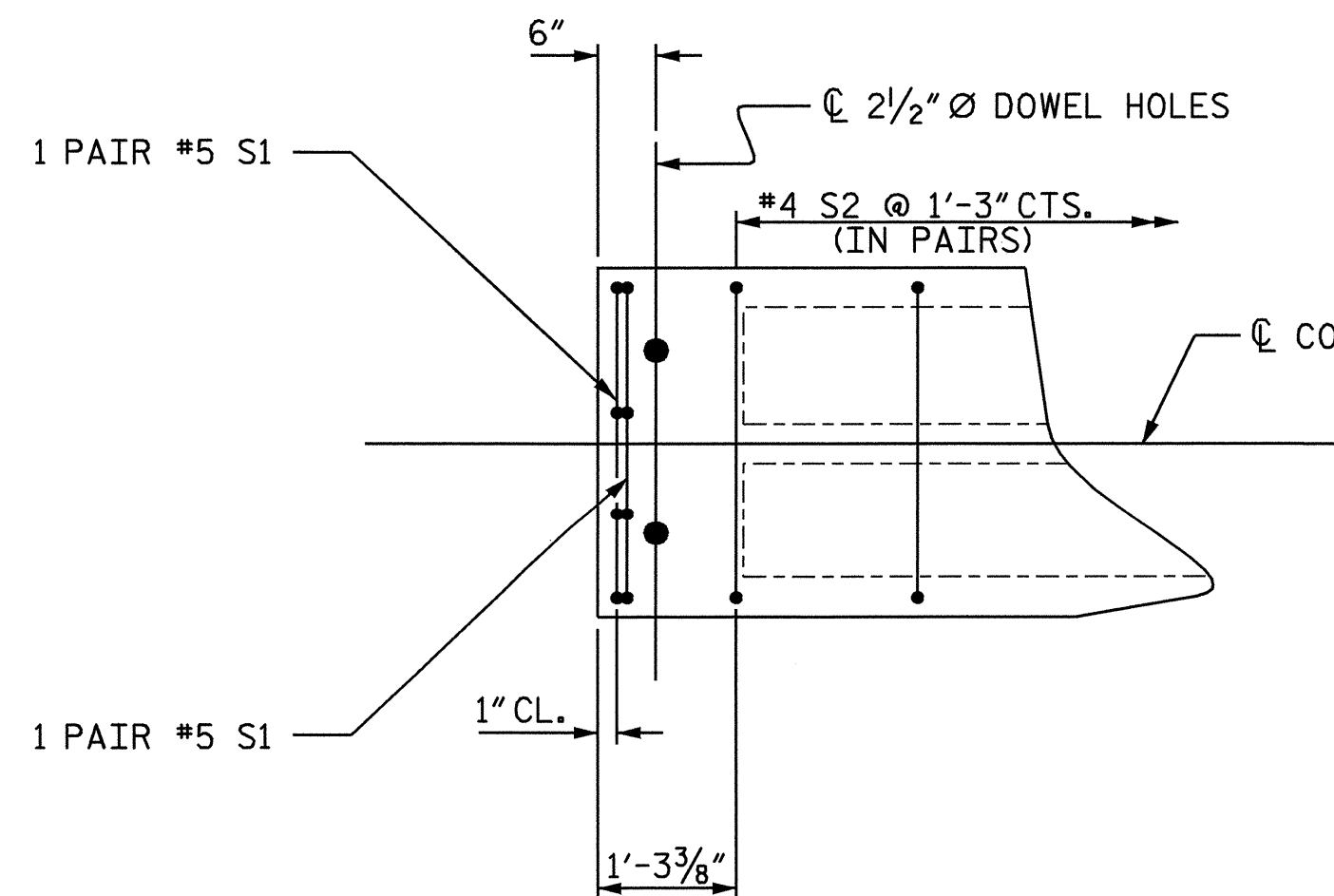
PLAN OF SPAN D



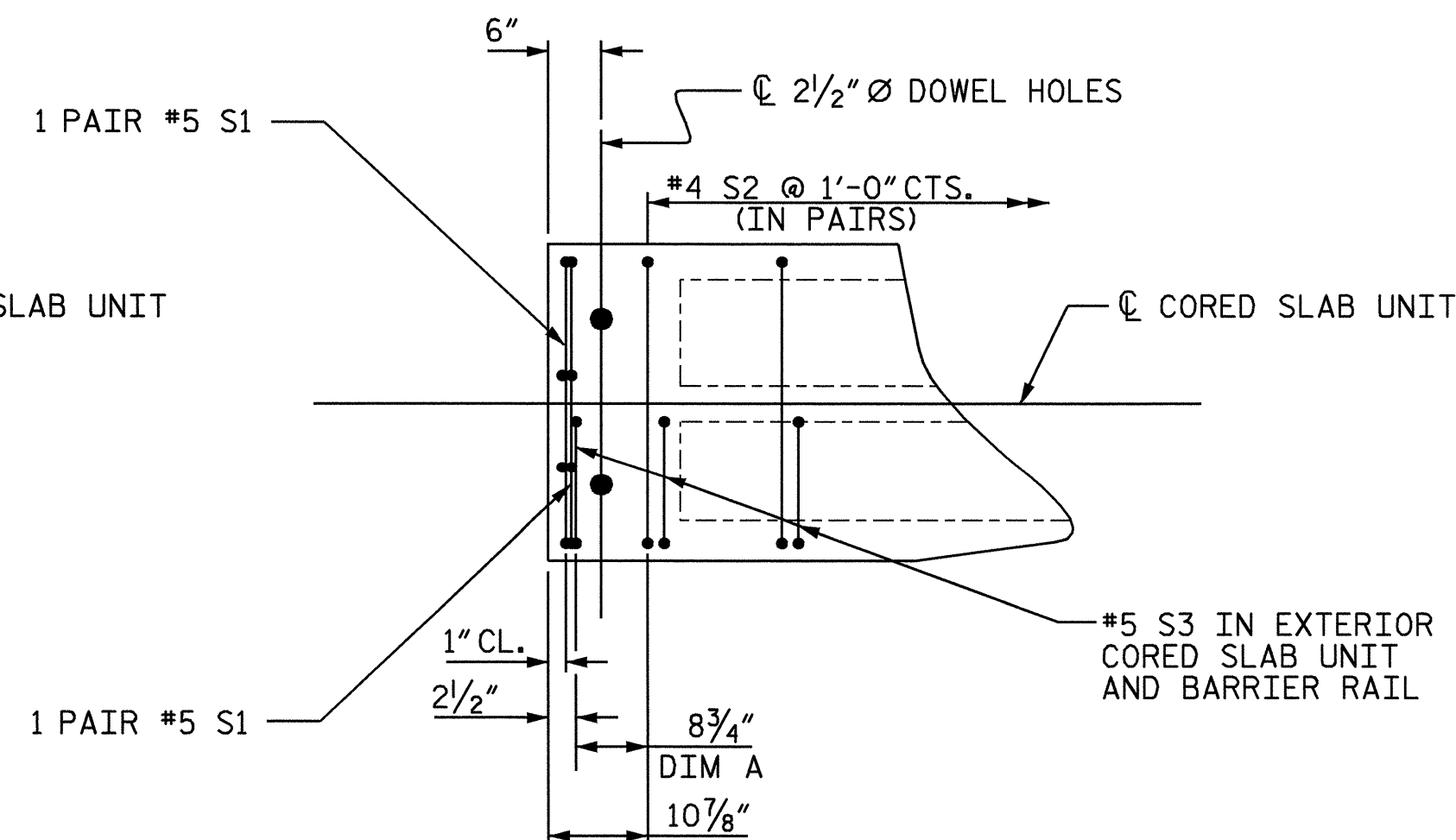
PLAN OF INTERIOR CORED SLAB UNIT



PLAN OF EXTERIOR CORED SLAB UNIT



DETAIL "A"
(TYP. EA. END)



DETAIL "B"
(TYP. EA. END)

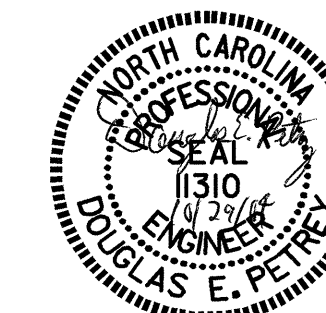
DRAWN BY: R. G. EMERSON DATE: 8/03
 CHECKED BY: S. B. WILLIAMS DATE: 11/03

PROJECT NO. B-4270
 SAMPSON COUNTY
 STATION: 14+60.00 -L-

SHEET 5 OF 6

STATE OF NORTH CAROLINA
 DEPARTMENT OF TRANSPORTATION
 RALEIGH

SUPERSTRUCTURE
 PLAN OF SPAN D



REVISIONS						SHEET NO.
NO.	BY:	DATE:	NO.	BY:	DATE:	
1			3			S-8
2			4			TOTAL SHEETS 23