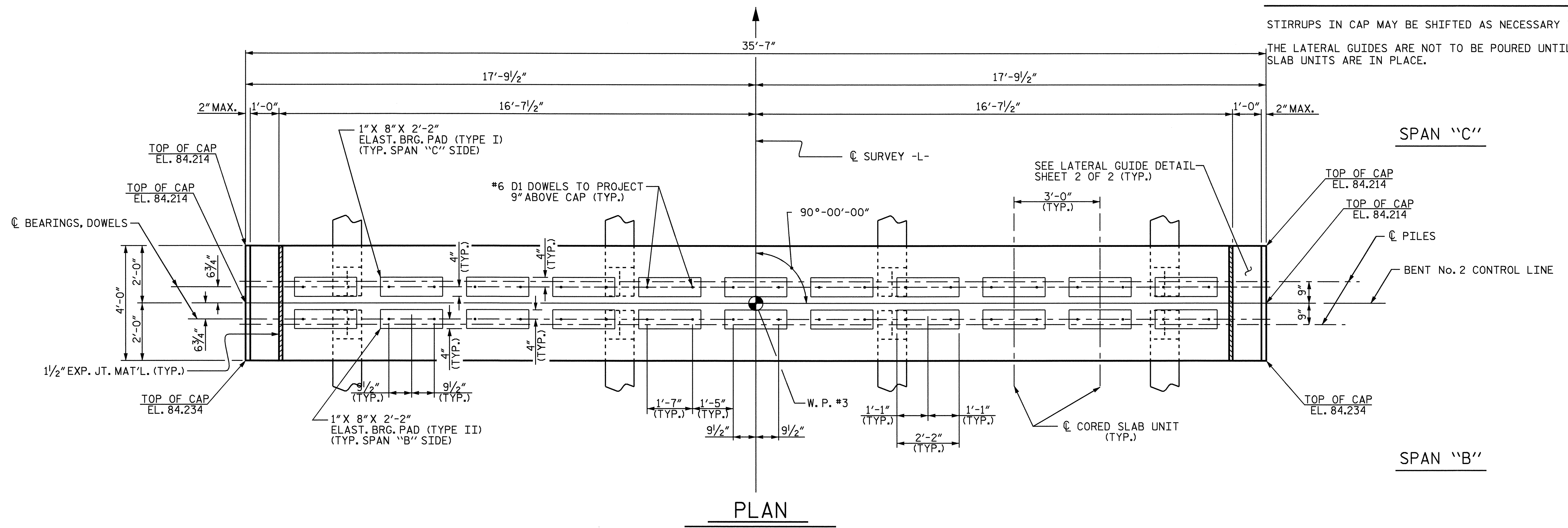
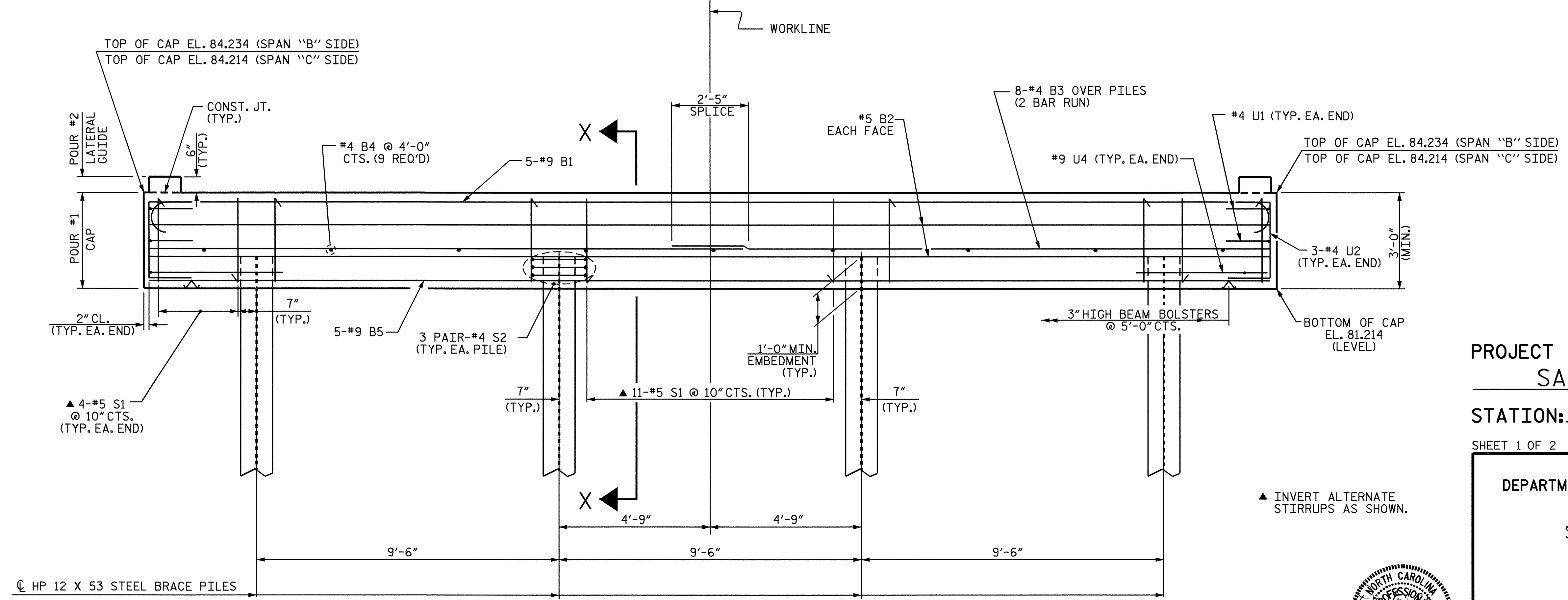


NOTES :

STIRRUPS IN CAP MAY BE SHIFTED AS NECESSARY TO CLEAR DOWELS.
 THE LATERAL GUIDES ARE NOT TO BE POURED UNTIL AFTER THE CORED SLAB UNITS ARE IN PLACE.



PLAN



ELEVATION

PROJECT NO. B-4270
SAMPSON COUNTY
 STATION: 14+60.00

SHEET 1 OF 2

STATE OF NORTH CAROLINA
 DEPARTMENT OF TRANSPORTATION
 RALEIGH

SUBSTRUCTURE
 BENT No. 2



REVISIONS						SHEET NO.
NO.	BY:	DATE:	NO.	BY:	DATE:	S-14
1			3			TOTAL SHEETS
2			4			23

DRAWN BY : A. V. ROYAL DATE : 4/04
 CHECKED BY : P. C. BREWER DATE : 4/04

08-OCT-2004 11:31
 W:\squadw\b4270\aroyal\Microstation\B4270_sd.B*_01.dgn
 aroyal