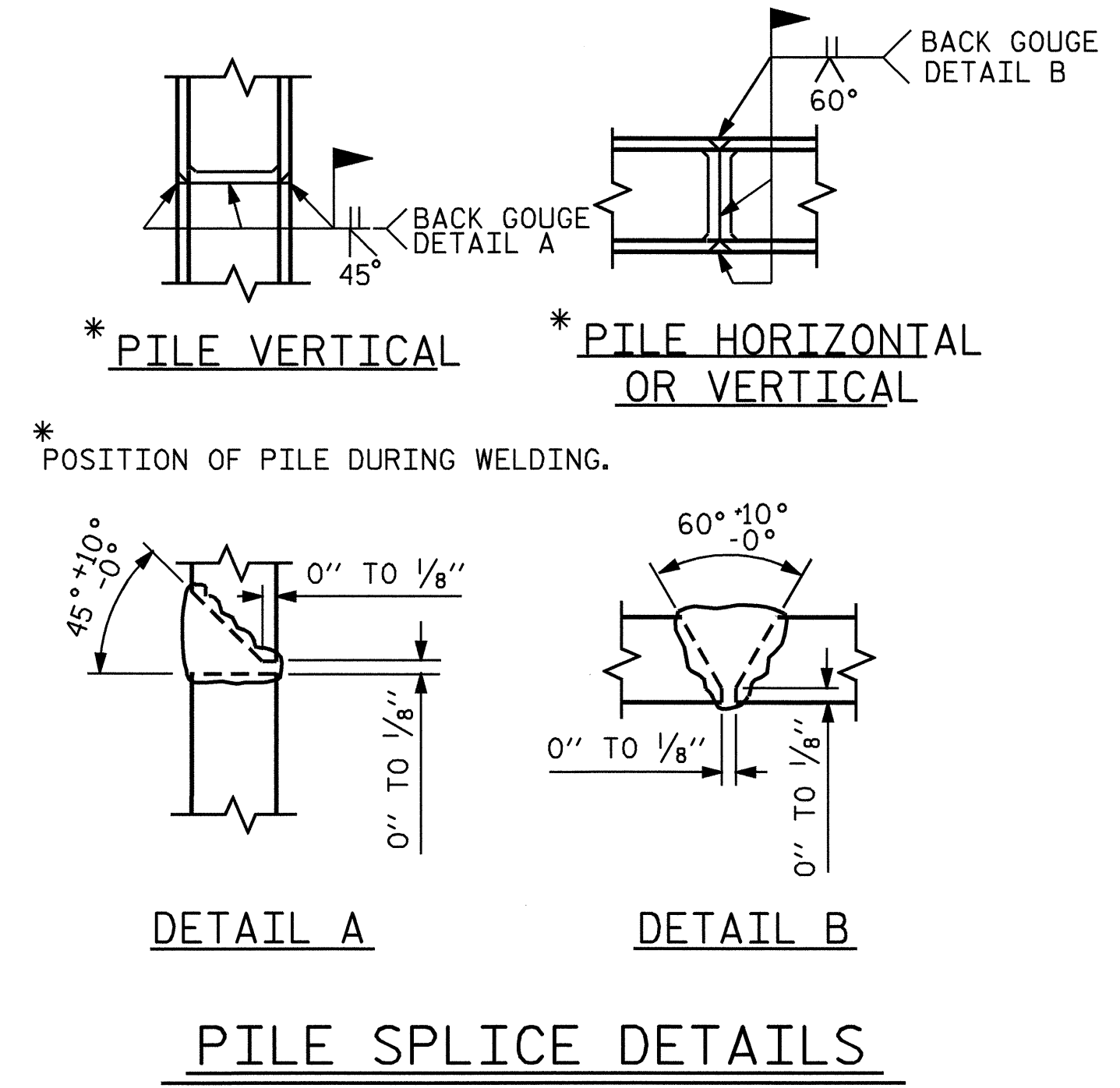
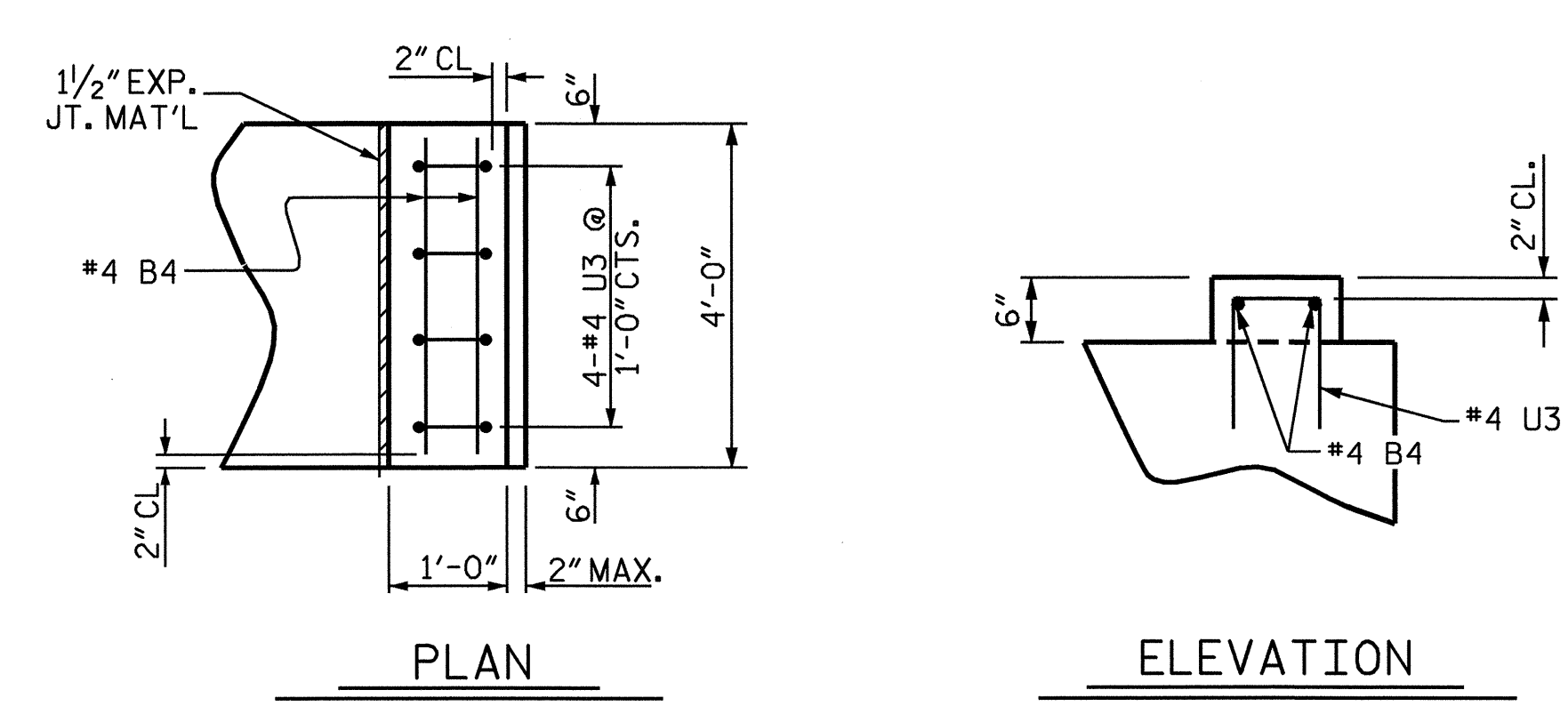
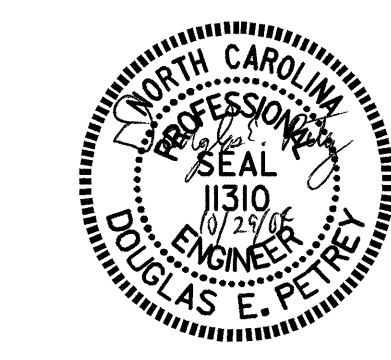


BILL OF MATERIAL					
BENT No. 3					
BAR	NO	SIZE	TYPE	LENGTH	WEIGHT
B1	5	9	1	37'-7"	639
B2	4	5	STR	35'-3"	147
B3	16	4	STR	18'-10"	201
B4	13	4	STR	3'-8"	32
B5	5	9	STR	35'-3"	599
D1	44	6	STR	1'-6"	99
S1	41	5	2	9'-10"	421
S2	24	4	3	6'-8"	107
U1	4	4	3	6'-6"	17
U2	6	4	3	5'-6"	22
U3	8	4	3	3'-6"	19
U4	2	9	3	10'-10"	74
REINFORCING STEEL				LBS.	2377
CLASS A CONCRETE BREAKDOWN:					
POUR #1 (CAP)				15.9	C.Y.
POUR #2 (LATERAL GUIDES)				0.1	C.Y.
TOTAL				16.0	C.Y.
HP 12 X 53 STEEL BRACE PILES					
No. 8				LIN. FT.	240.0
GALVANIZING STEEL PILES				LUMP SUM	



PROJECT NO. B-4270
SAMPSON COUNTY
 STATION: 14+60.00 -L-
 SHEET 2 OF 2

STATE OF NORTH CAROLINA
 DEPARTMENT OF TRANSPORTATION
 RALEIGH
 SUBSTRUCTURE
 BENT No. 3



DRAWN BY: A. V. ROYAL DATE: 4/04
 CHECKED BY: P. C. BREWER DATE: 4/04

REVISIONS						SHEET NO.
NO.	BY:	DATE:	NO.	BY:	DATE:	S-17
1			3			TOTAL SHEETS
2			4			23