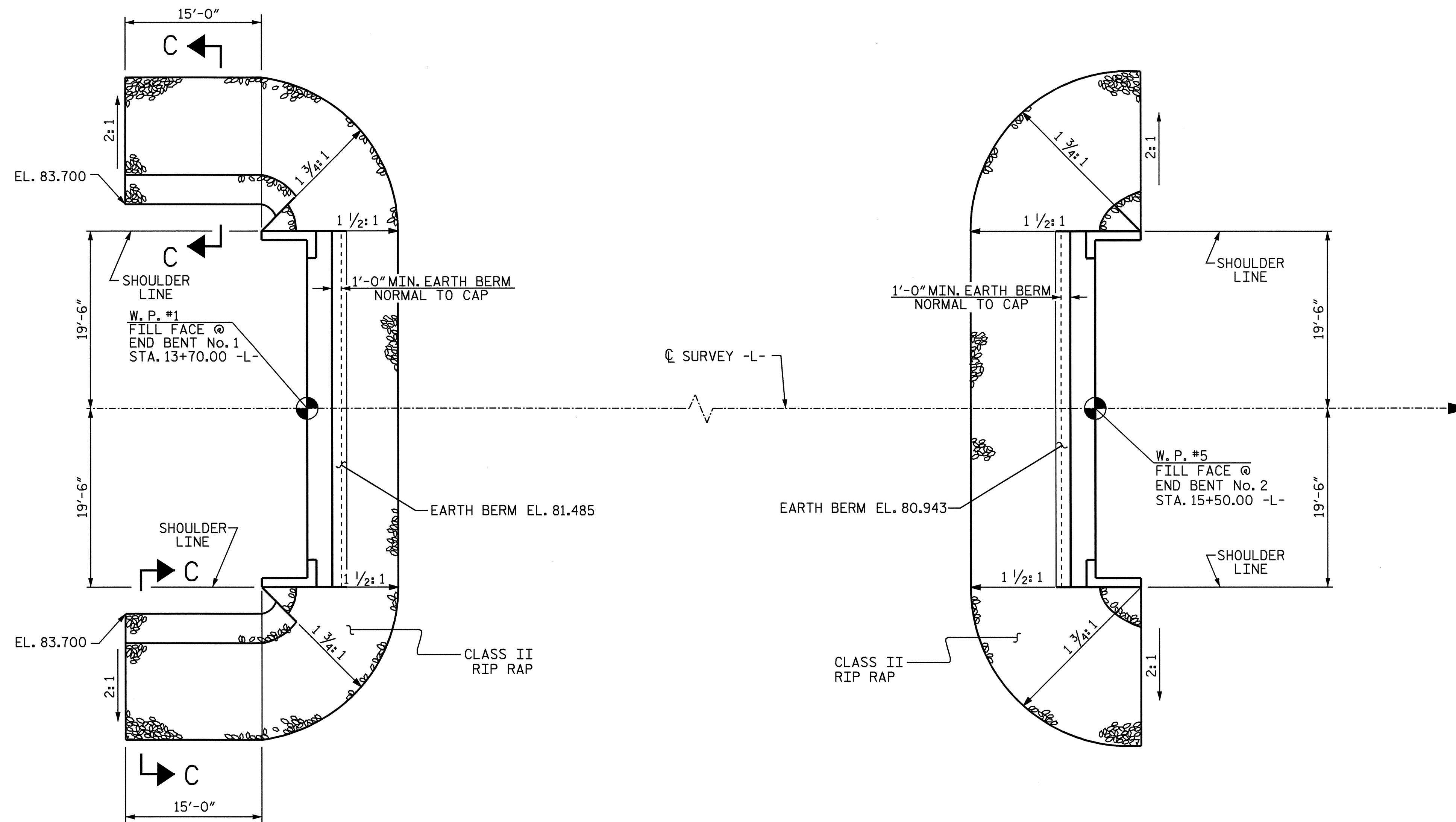
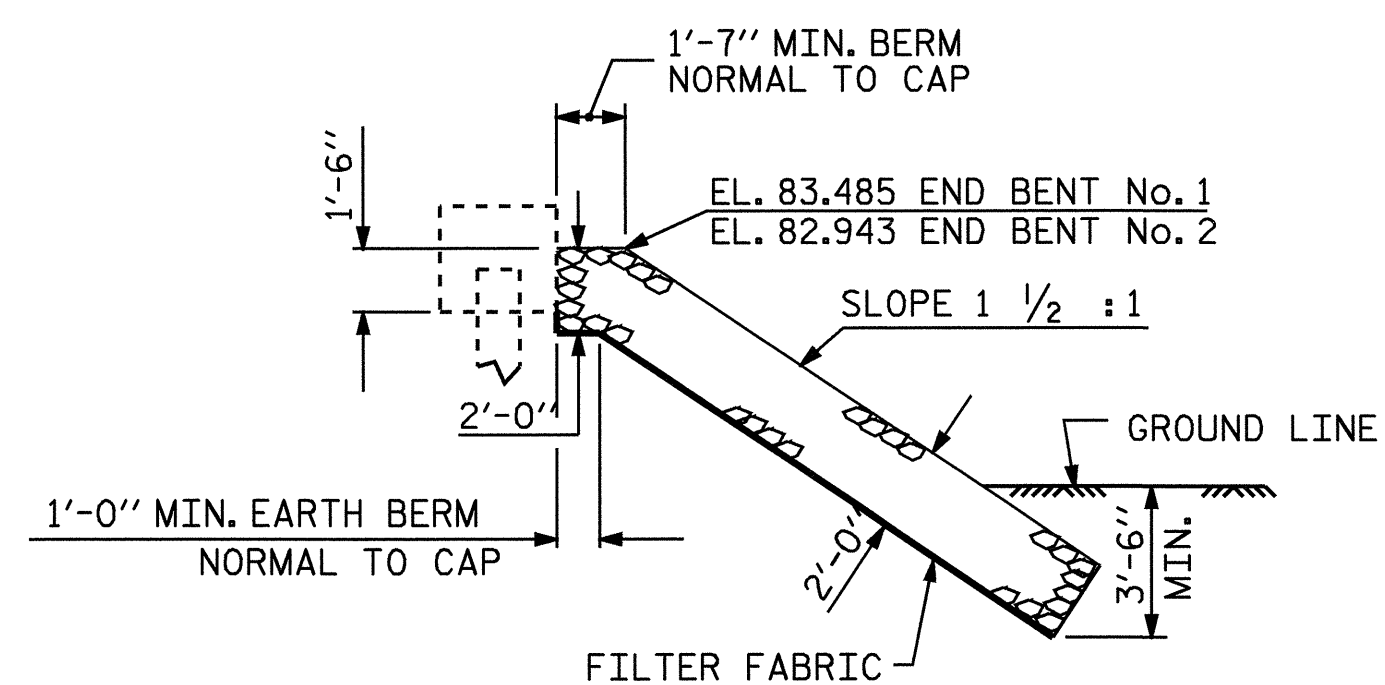


NOTES:

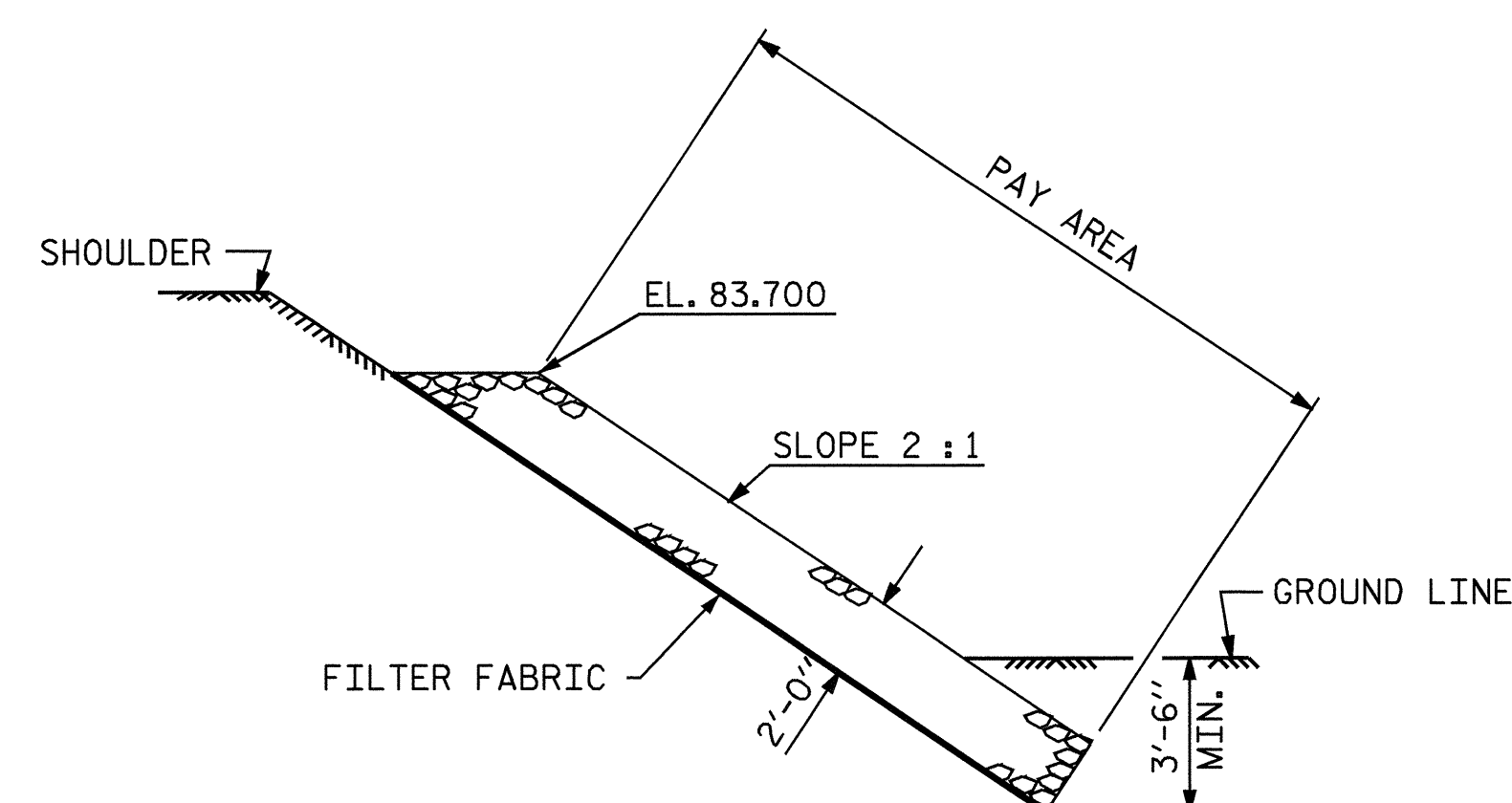
* THE COST OF THE FILTER FABRIC SHALL BE INCLUDED IN THE CONTRACT PRICE BID FOR PLAIN RIP RAP CLASS II.



ESTIMATED QUANTITIES		
BRIDGE @ STA. 14+60.00 -L-	PLAIN RIP RAP CLASS II	* FILTER FABRIC FOR DRAINAGE
	TONS	SQUARE YARDS
END BENT No. 1	120	133
END BENT No. 2	80	89



SECTION
BERM RIP RAPPED



SECTION C-C

PROJECT NO. B-4270
SAMPSON COUNTY
 STATION: 14+60.00 -L-

STATE OF NORTH CAROLINA
 DEPARTMENT OF TRANSPORTATION
 RALEIGH
 STANDARD
 RIP RAP DETAILS



ASSEMBLED BY : A. V. ROYAL DATE : 6/20/04
 CHECKED BY : P. C. BREWER DATE : 6/22/04
 DRAWN BY : FCJ 2/88 REV. 7/17/98 REK/RWW
 CHECKED BY : ARB 8/88 REV. 8/16/99 RWW/LES
 REV. 10/17/00 RWW/LES

REVISIONS						SHEET NO.
NO.	BY:	DATE:	NO.	BY:	DATE:	S-20
1			3			TOTAL SHEETS
2			4			23