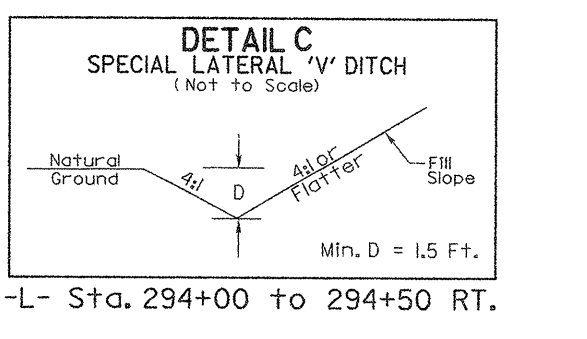
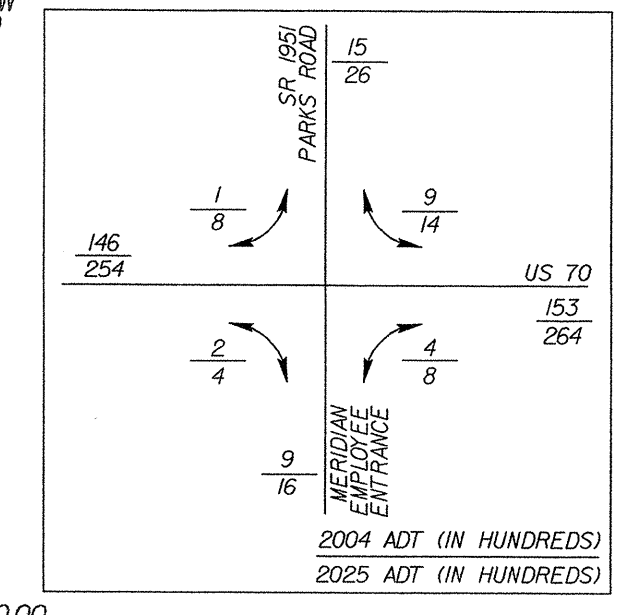
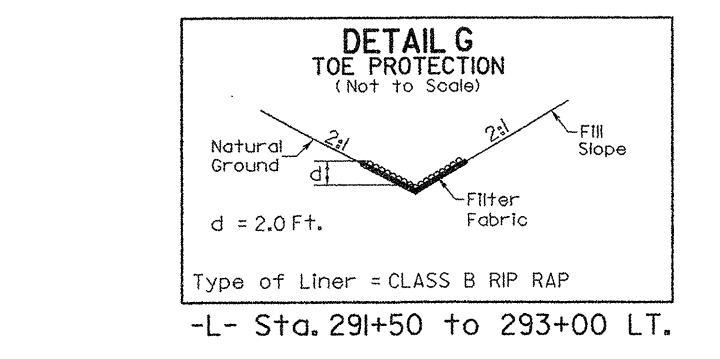
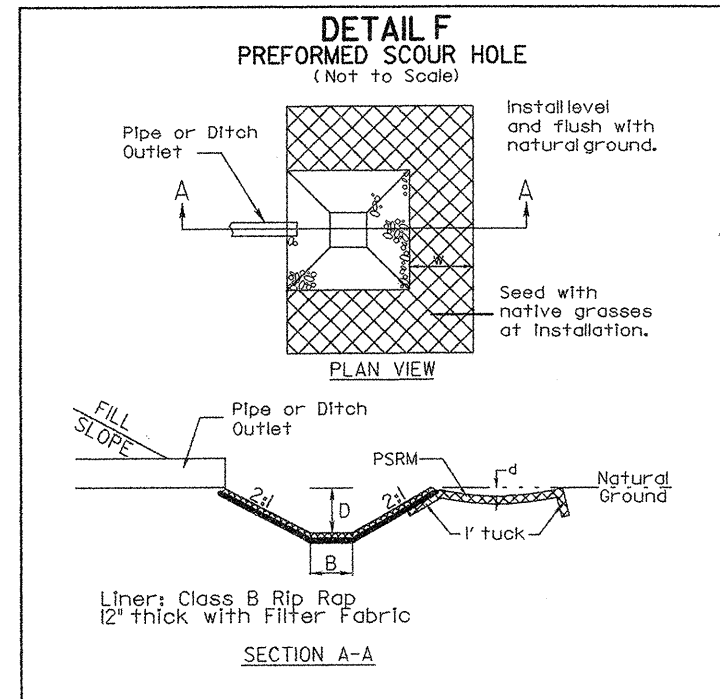
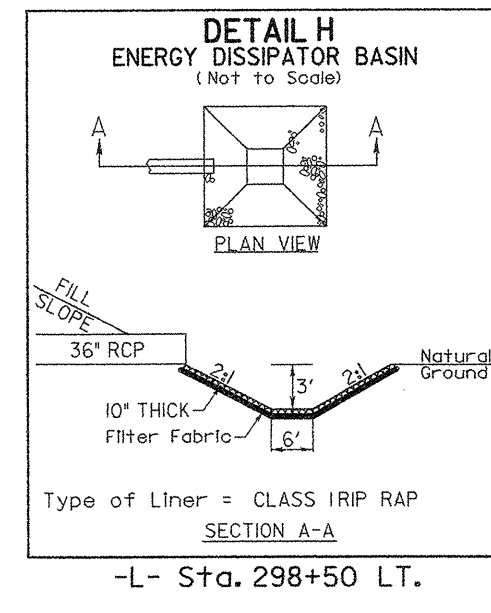


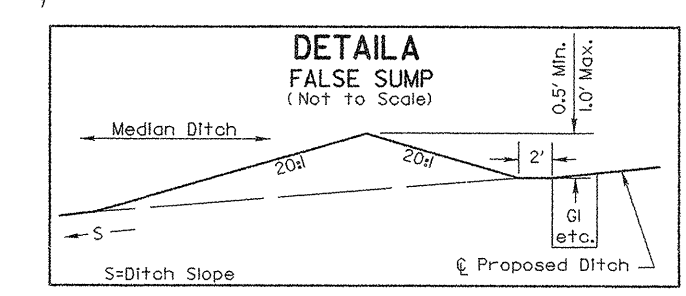
ALL WATER LINES OWNED BY SALISBURY-ROWAN UTILITIES
 FORCE MAIN AND GRAVITY SEWER OWNED BY SALISBURY-ROWAN SCHOOL DISTRICT



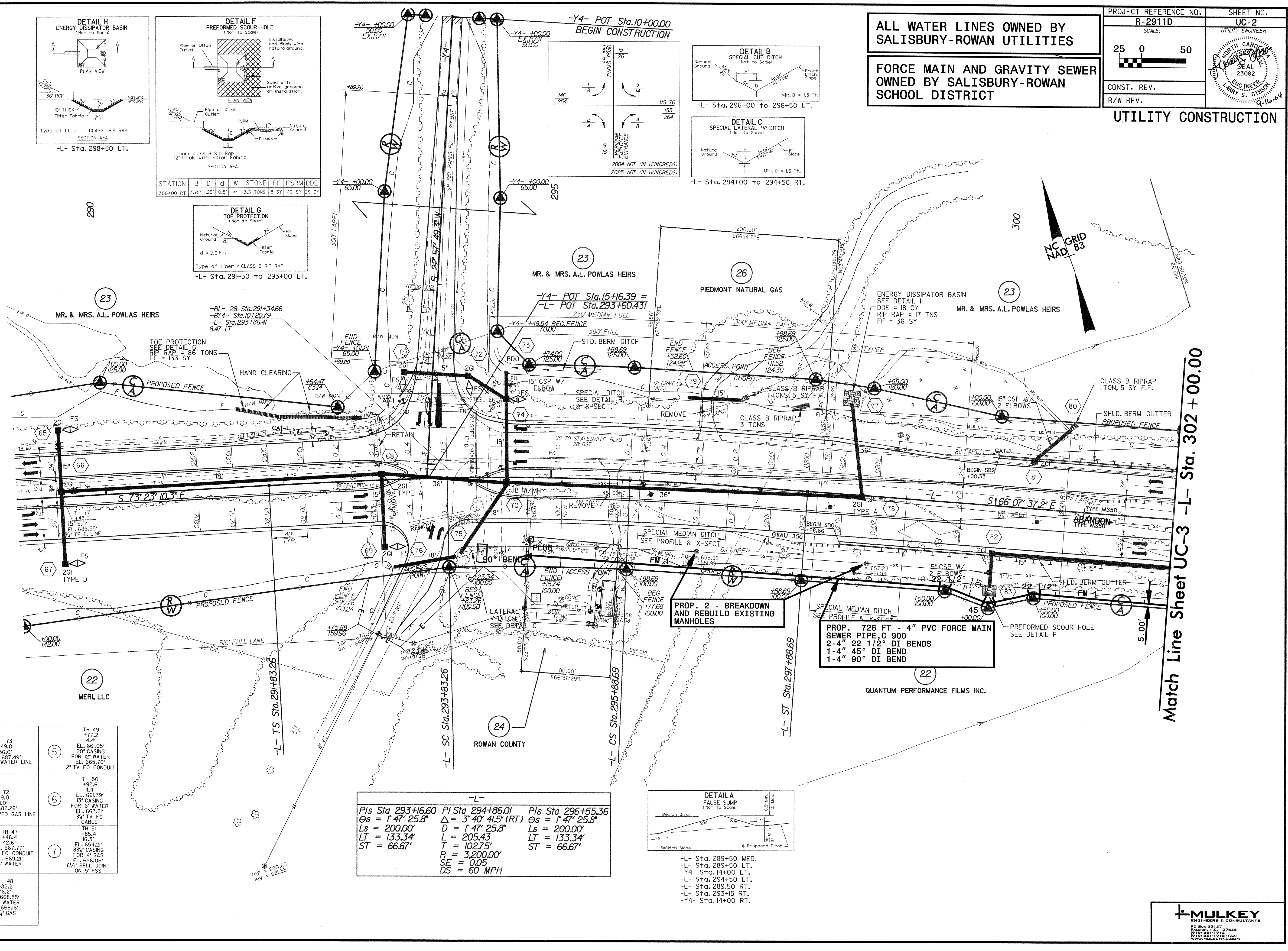
1	TH 73 +49.0 56.0' EL. 687.19' 13" DI WATER LINE	5	TH 49 +77.2 4.4' EL. 661.05' 20" CASING FOR 12" WATER EL. 665.10' 2" TV FO CONDUIT
2	TH 72 +49.0 61.0' EL. 687.26' 4 3/4" WRAPPED GAS LINE	6	TH 50 +92.6 4.4' EL. 661.39' 13" CASING FOR 6" WATER EL. 663.21' 4" TV FO CABLE
3	TH 47 +46.4 42.6' EL. 661.77' 2" TV FO CONDUIT EL. 669.21' 13" WATER	7	TH 51 +85.4 16.3' EL. 654.21' 8 3/4" CASING FOR 4" GAS EL. 656.06' 6 1/4" BELL JOINT ON 5" ESS
4	TH 48 +82.2 76.2' EL. 668.55' 8 3/4" WATER EL. 669.16' 4 3/4" GAS		

-L-

Pls Sta. 293+16.60	Pls Sta. 294+86.01	Pls Sta. 296+55.36
$\theta_s = 1' 47'' 25.8''$	$\Delta = 3' 40'' 41.5'' (RT)$	$\theta_s = 1' 47'' 25.8''$
$L_s = 200.00'$	$D = 1' 47'' 25.8''$	$L_s = 200.00'$
$LT = 133.34'$	$L = 205.43'$	$LT = 133.34'$
$ST = 66.67'$	$T = 102.75'$	$ST = 66.67'$
	$R = 3,200.00'$	
	$SE = 0.05$	
	$DS = 60 MPH$	



-L- Sta. 289+50 MED.
 -L- Sta. 289+50 LT.
 -Y4- Sta. 14+00 LT.
 -L- Sta. 294+50 LT.
 -L- Sta. 289+50 RT.
 -L- Sta. 293+15 RT.
 -Y4- Sta. 14+00 RT.



Match Line Sheet UC-3 -L- Sta. 302+00.00