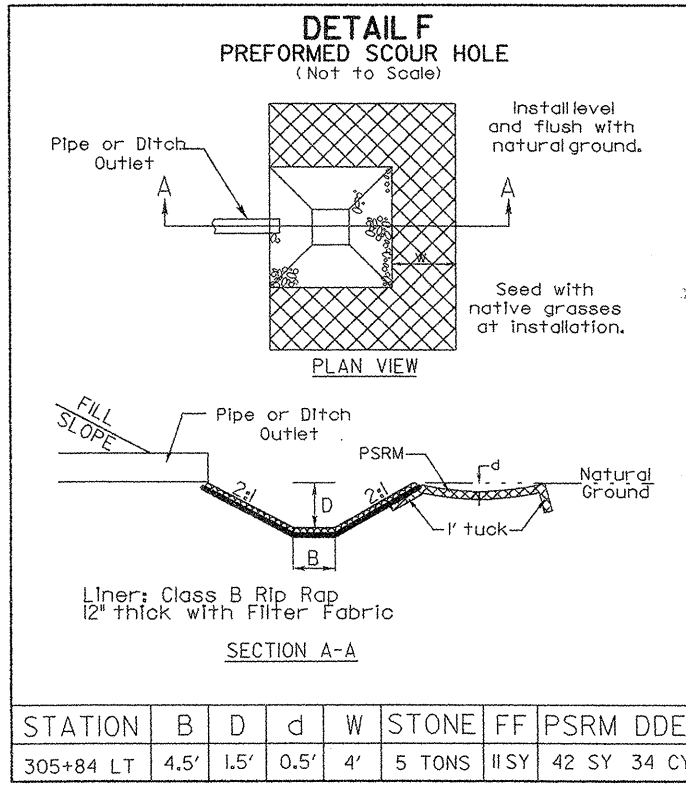
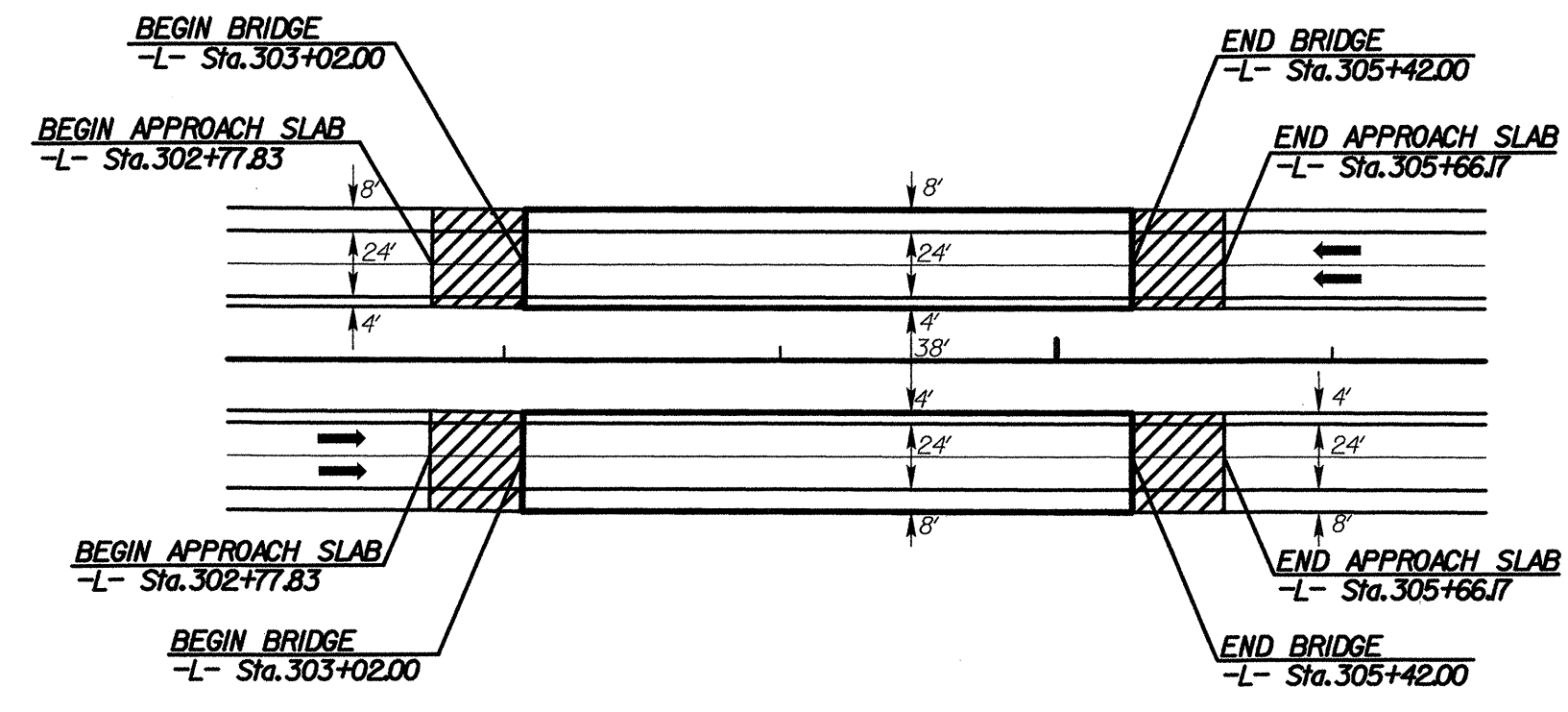
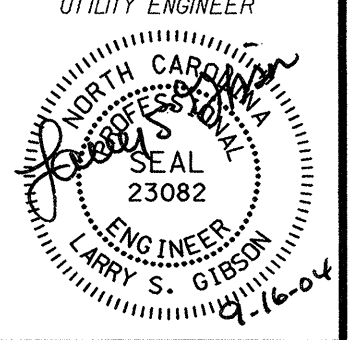


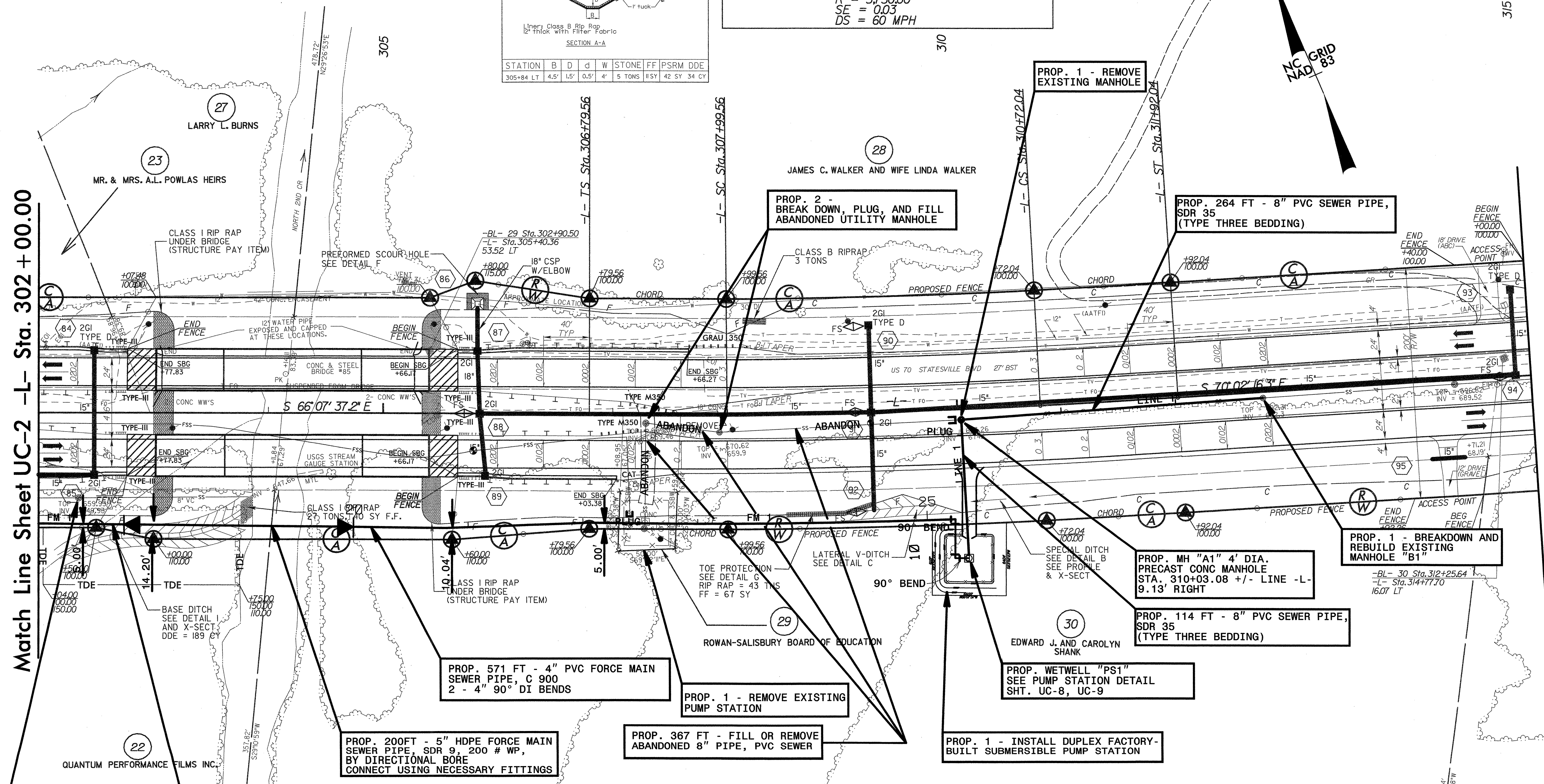
ALL WATER LINES OWNED BY SALISBURY-ROWAN UTILITIES
 FORCE MAIN AND GRAVITY SEWER OWNED BY SALISBURY-ROWAN SCHOOL DISTRICT



-L-

Pls Sta 307+59.56	Pls Sta 309+35.83	Pls Sta 311+12.04
$\Theta s = 0^\circ 35' 52.3''$	$\Delta = 2^\circ 42' 54.4''$ (LT)	$\Theta s = 0^\circ 35' 52.3''$
$Ls = 120.00'$	$D = 0^\circ 59' 47.2''$	$Ls = 120.00'$
$LT = 80.00'$	$L = 272.48'$	$LT = 80.00'$
$ST = 40.00'$	$T = 136.26'$	$ST = 40.00'$
	$R = 5750.00'$	
	$SE = 0.03$	
	$DS = 60$ MPH	

STATION	B	D	d	W	STONE	FF	PSRM	DDE
305+84 LT	4.5'	1.5'	0.5'	4'	5 TONS	#SY	42 SY	34 CY



Match Line Sheet UC-2 -L- Sta. 302+00.00

PROP. 1 - BREAK DOWN AND REBUILD EXISTING MANHOLE

PROP. 75 FT - 4" PVC FORCE MAIN SEWER PIPE, C 900

PROP. 571 FT - 4" PVC FORCE MAIN SEWER PIPE, C 900
 2 - 4" 90° DI BENDS

PROP. 367 FT - FILL OR REMOVE ABANDONED 8" PIPE, PVC SEWER

PROP. 1 - REMOVE EXISTING PUMP STATION

PROP. 1 - INSTALL DUPLEX FACTORY-BUILT SUBMERSIBLE PUMP STATION

PROP. WETWELL "PS1" SEE PUMP STATION DETAIL SHT. UC-8, UC-9

PROP. MH "A1" 4' DIA. PRECAST CONC MANHOLE STA. 310+03.08 +/- LINE -L- 9.13' RIGHT

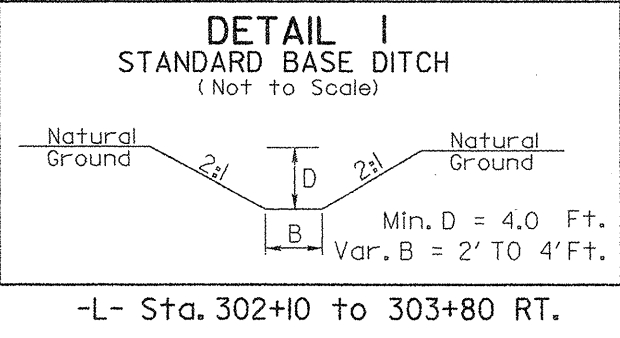
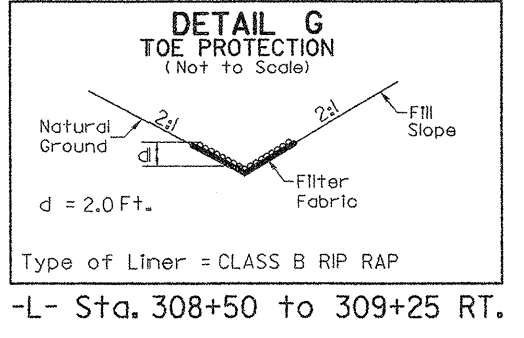
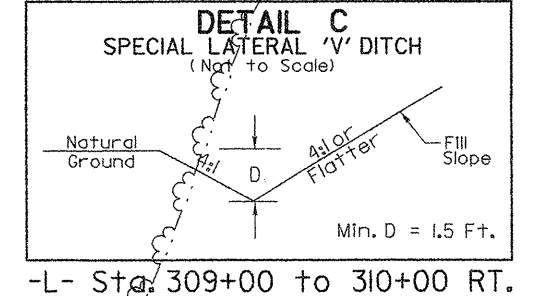
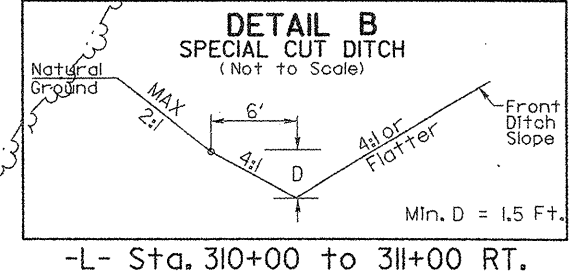
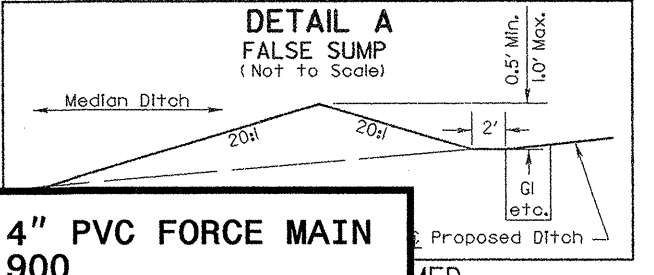
PROP. 114 FT - 8" PVC SEWER PIPE, SDR 35 (TYPE THREE BEDDING)

PROP. 1 - BREAKDOWN AND REBUILD EXISTING MANHOLE "B1"

PROP. 264 FT - 8" PVC SEWER PIPE, SDR 35 (TYPE THREE BEDDING)

PROP. 2 - BREAK DOWN, PLUG, AND FILL ABANDONED UTILITY MANHOLE

PROP. 1 - REMOVE EXISTING MANHOLE



31
 ELOISE A. MCLEAN, ALICE JEAN ALBRIGHT, NELLIE A. CLONTZ, HARRY T. ALBRIGHT, BETTY A. JAMES