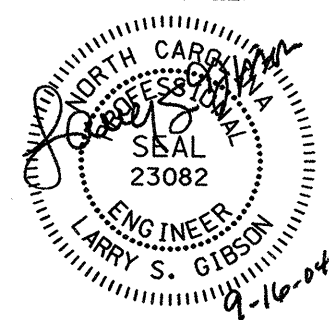
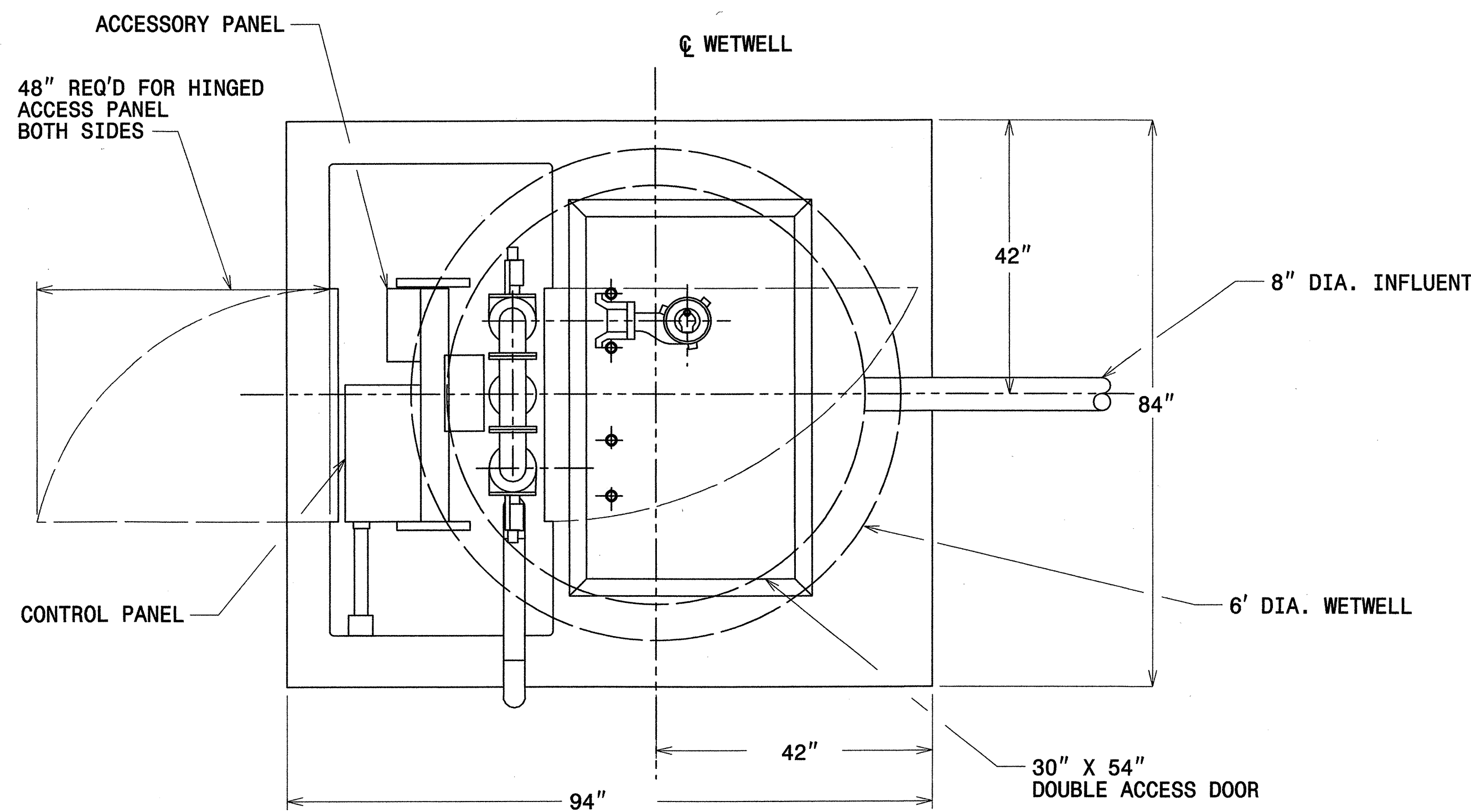
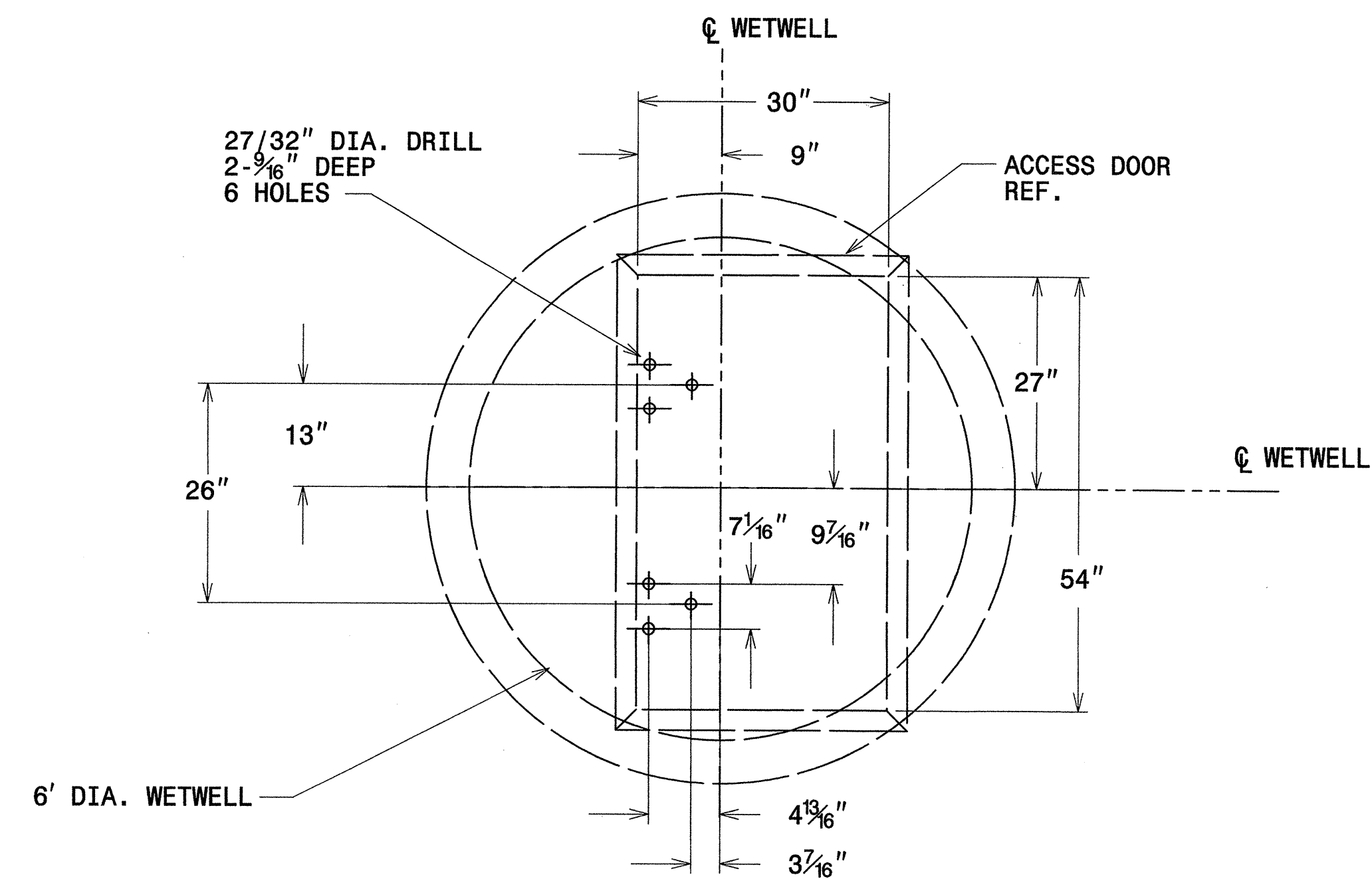


PROJECT REFERENCE NO. R-2911D	SHEET NO. UC-9
SCALE:	UTILITY ENGINEER
NOT TO SCALE	
CONST. REV.	
R/W REV.	

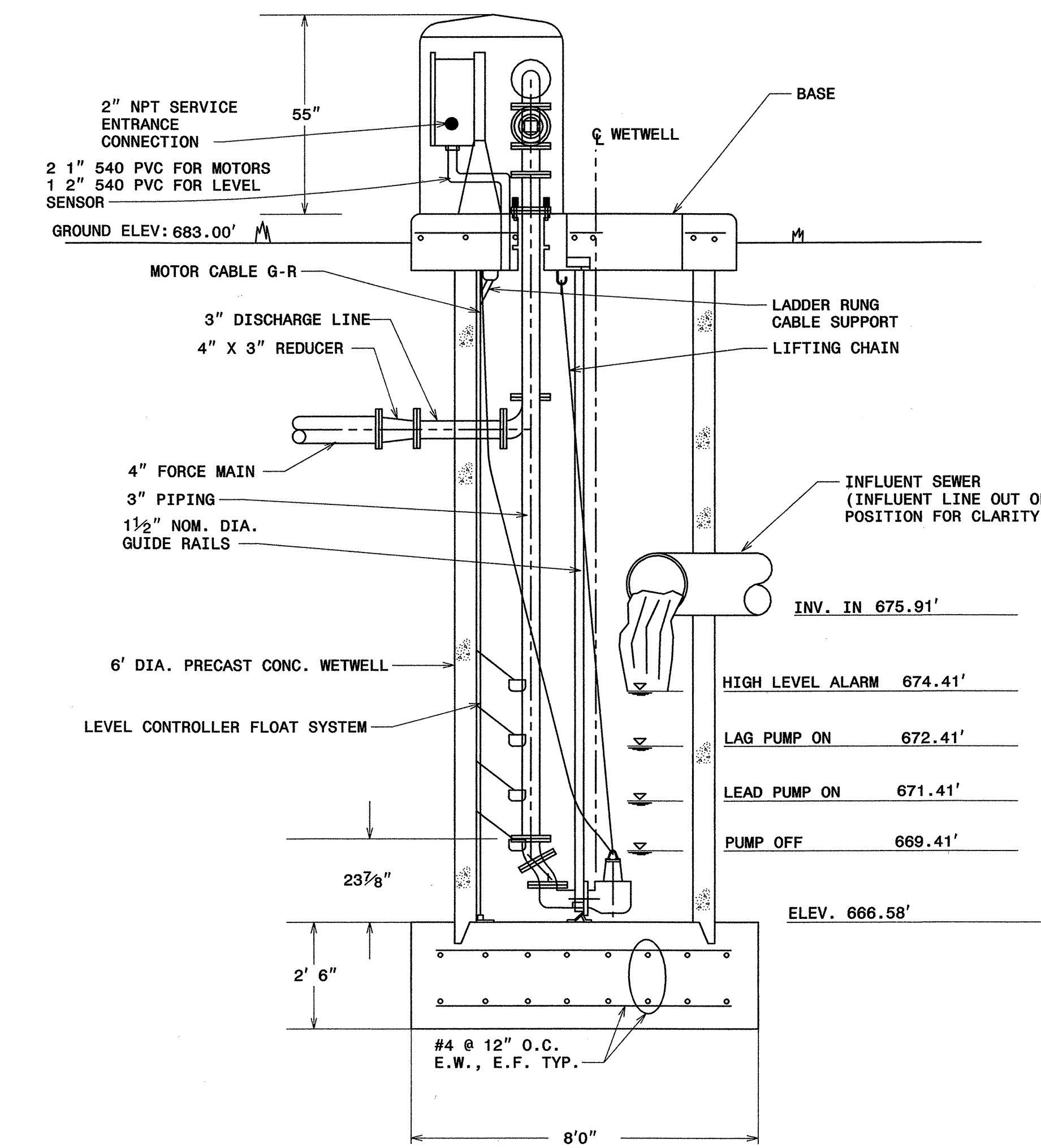
UTILITY CONSTRUCTION



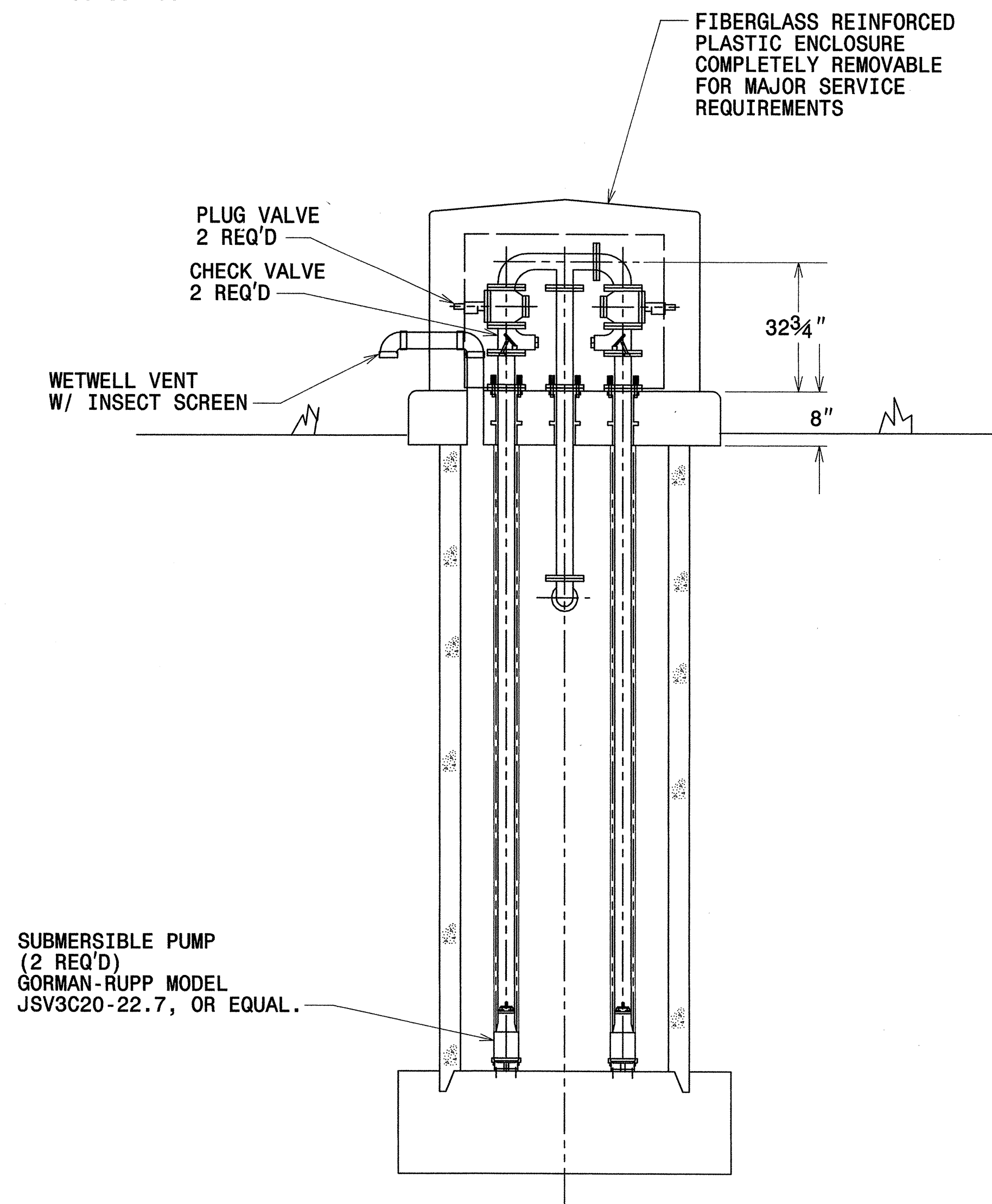
PLAN VIEW



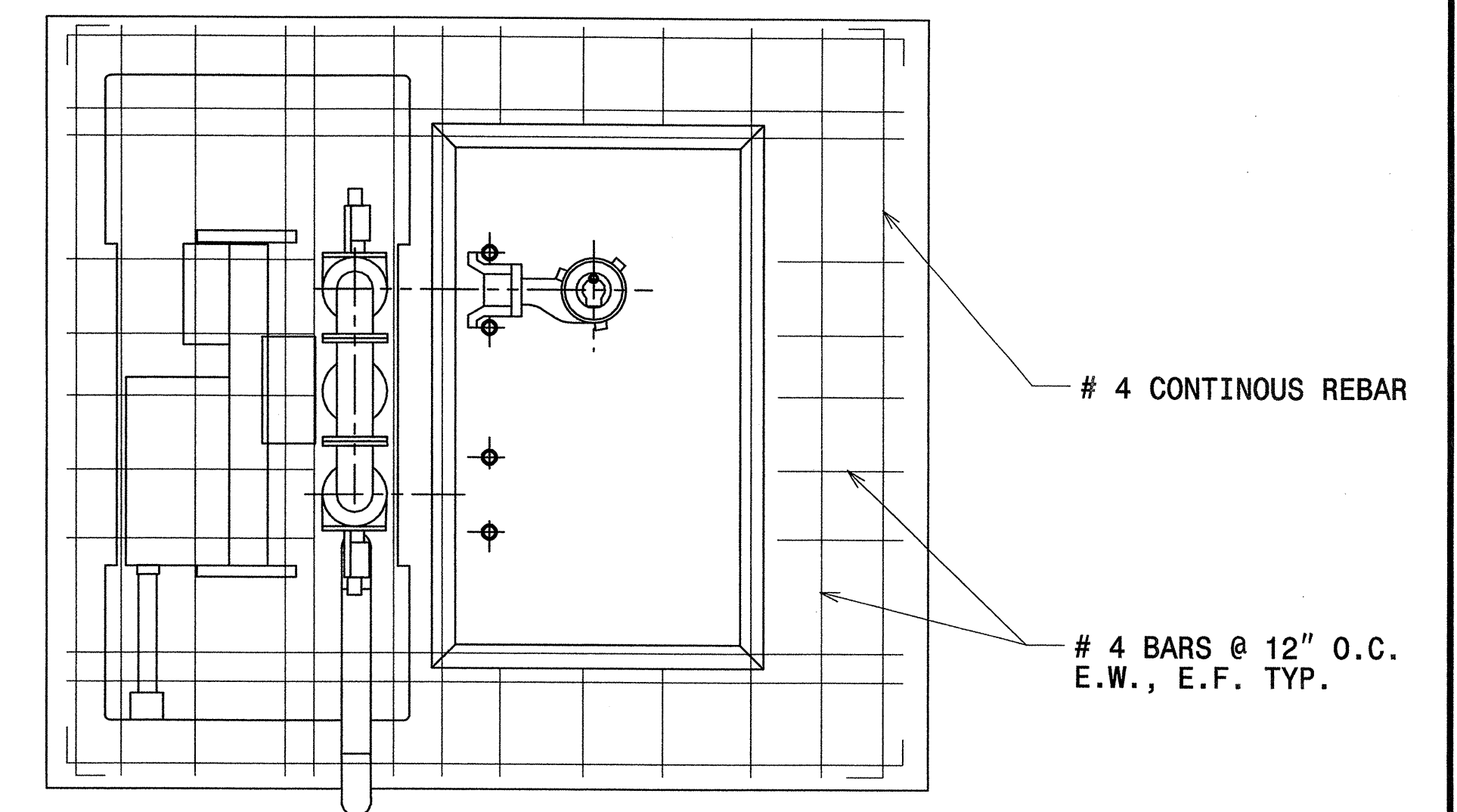
PLAN VIEW
(BASE PLATE ANCHOR LOCATIONS)



SIDE ELEVATION VIEW



FRONT ELEVATION VIEW



STRUCTURAL DETAIL OF TOP SLAB
(OR AS SPECIFIED BY PUMP STATION MANUFACTURER)