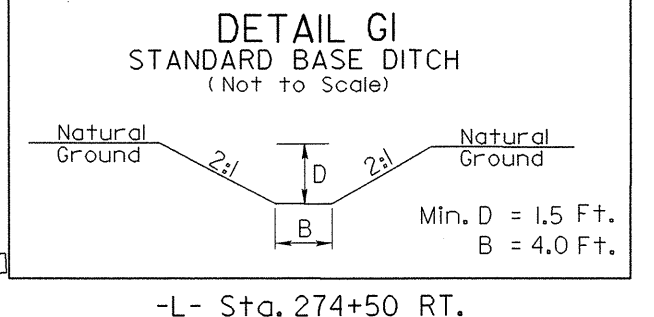
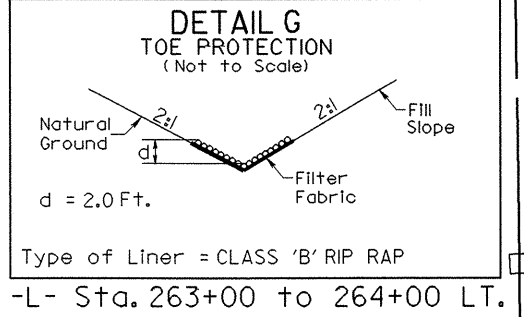
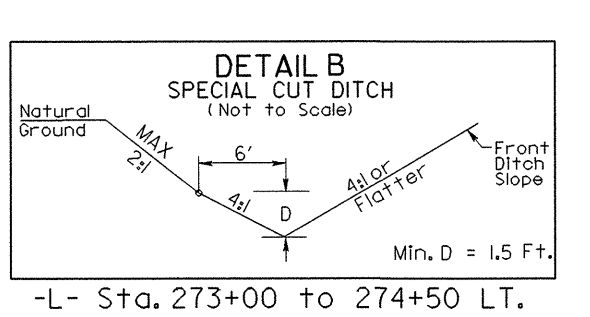
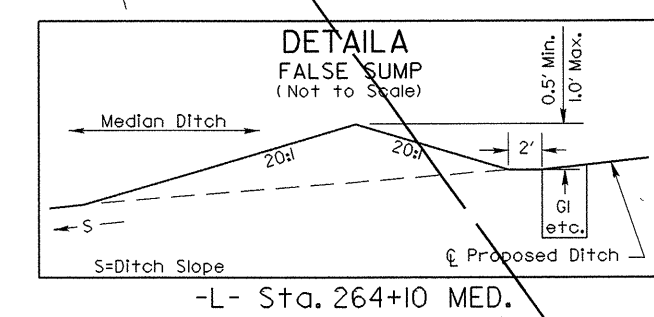
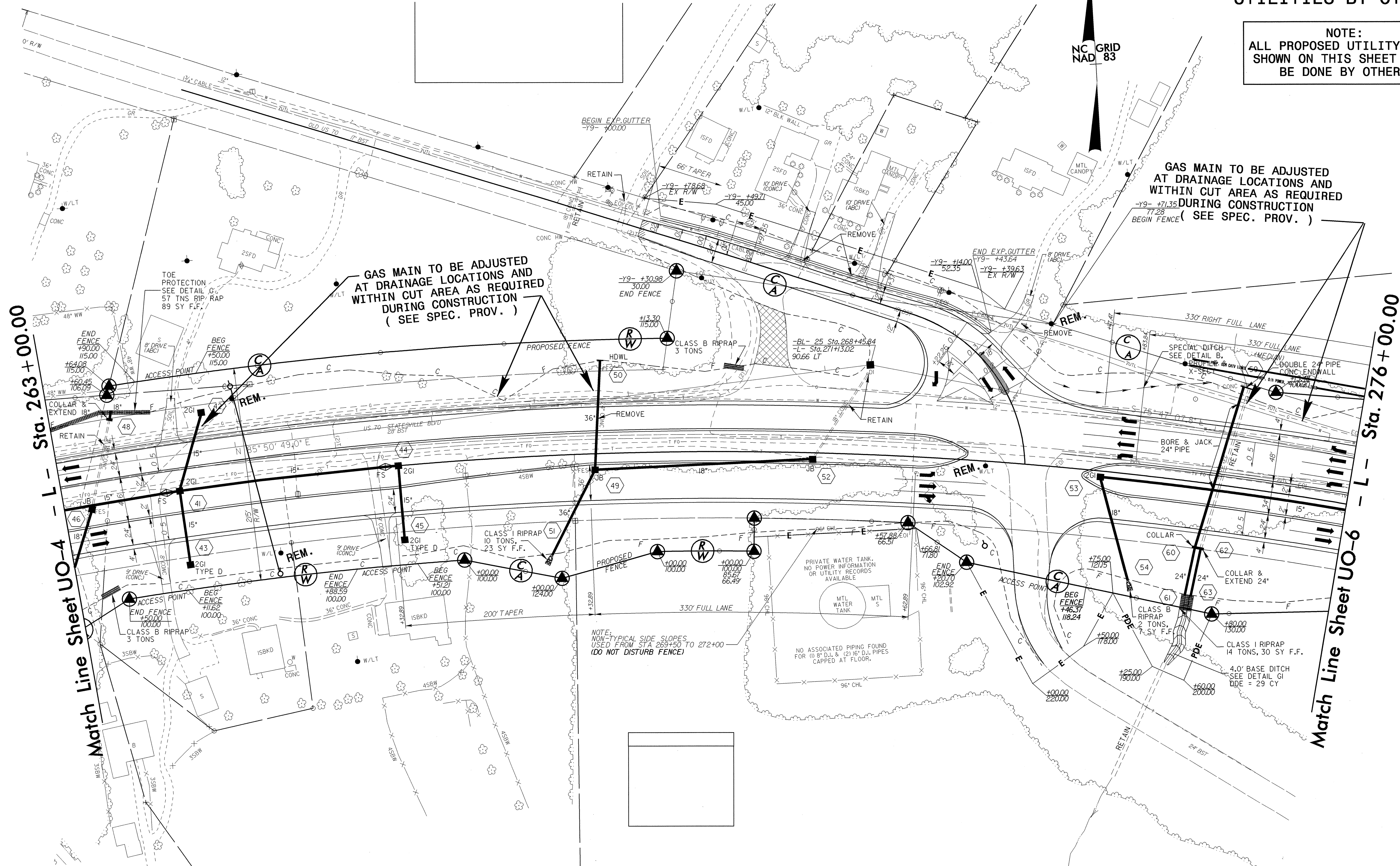


UTILITIES BY OTHERS

NOTE:
ALL PROPOSED UTILITY WORK
SHOWN ON THIS SHEET WILL
BE DONE BY OTHERS



PAVEMENT REMOVAL

Note: See Sheet 22 for -L- line profile
See Sheet 32 for -Y9- line profile
See Sheet 2E for driveways

8/17/99
23-SEP-2004 08:01
R:\Utilities\Projects\2911\Drawings\U0-5_r.dwg
R:\Utilities\Projects\2911\Drawings\U0-5_r.dwg
R:\Utilities\Projects\2911\Drawings\U0-5_r.dwg