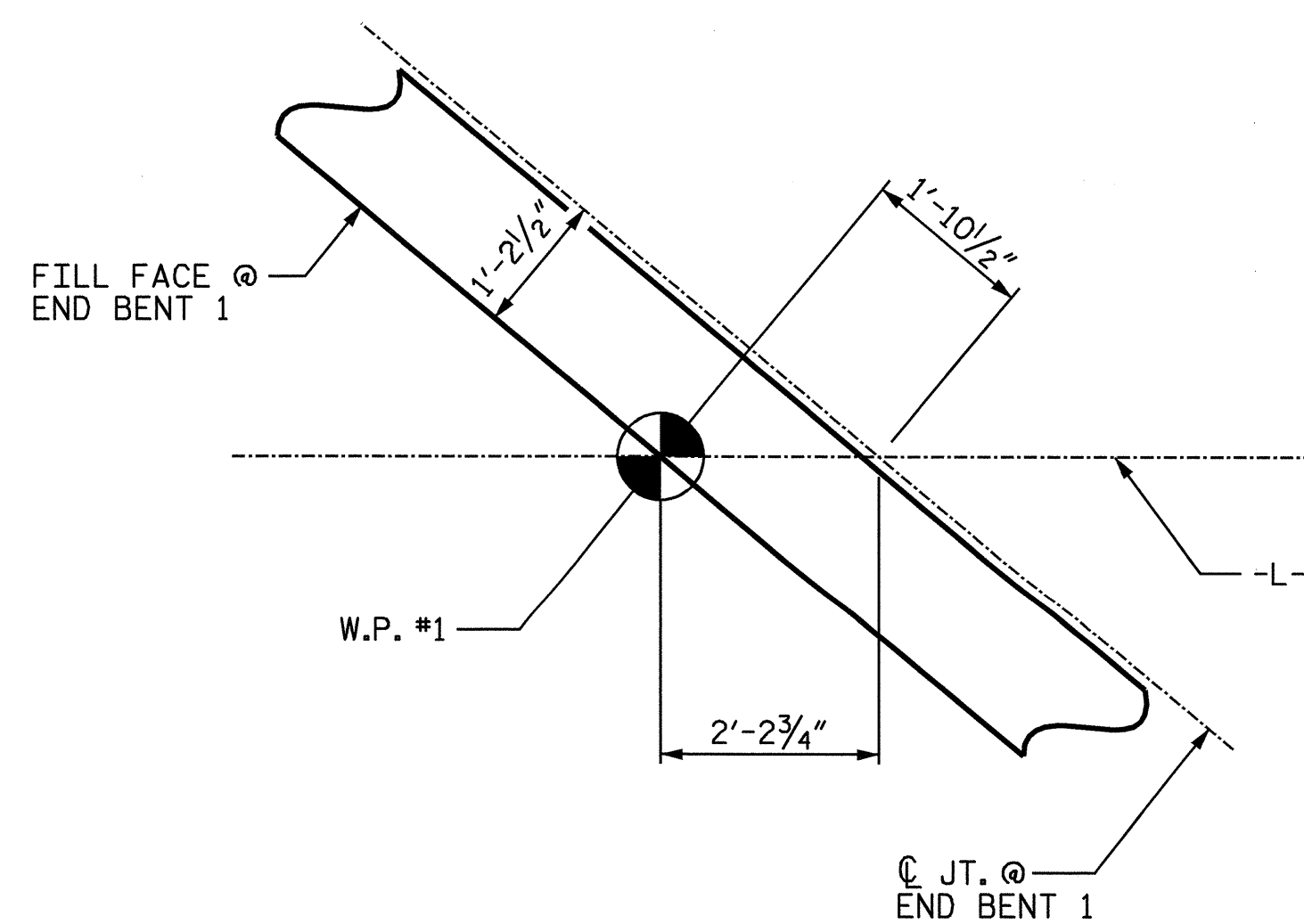
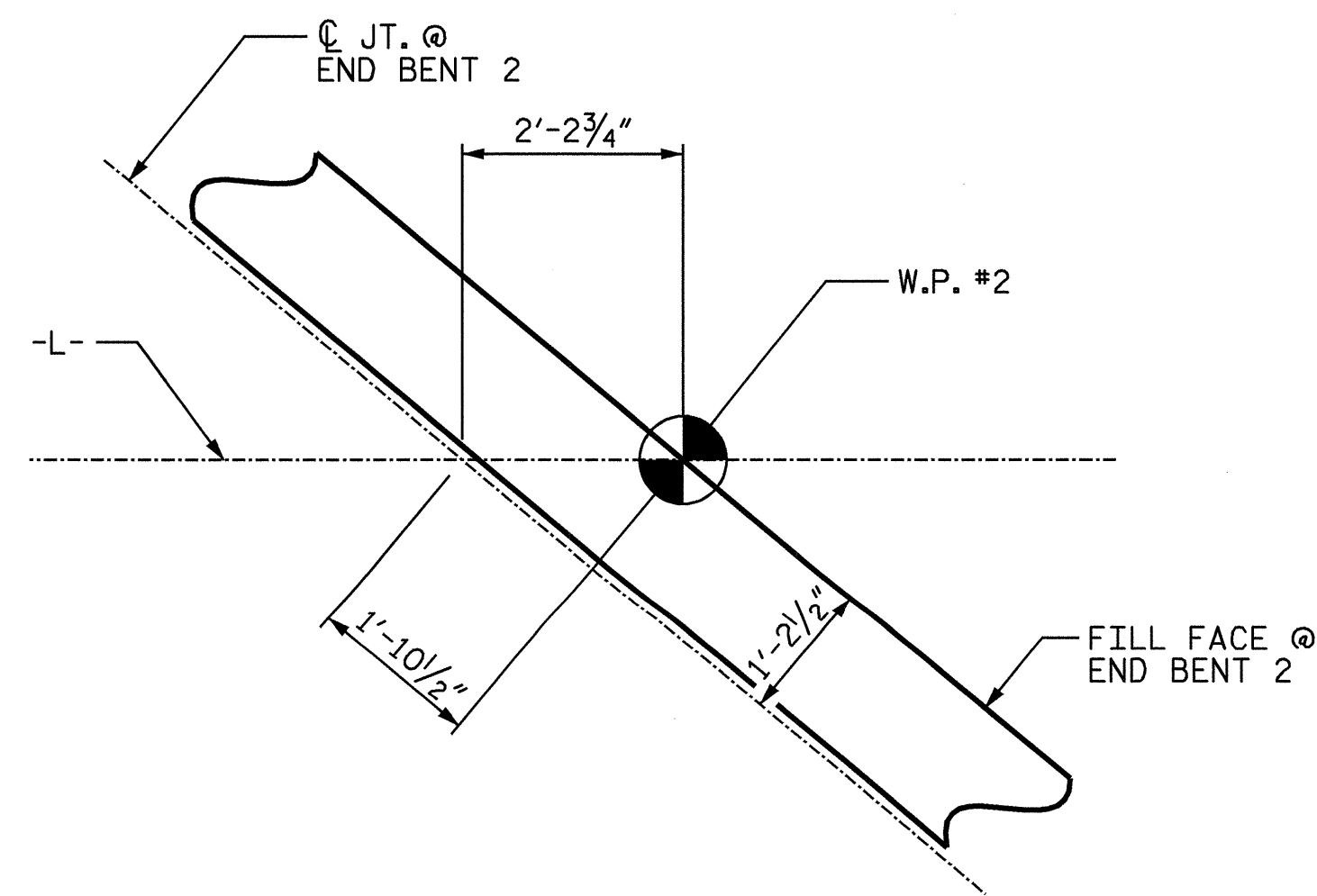


PLAN OF SPAN A

FOR BARRIER RAIL REINFORCING STEEL & DETAILS, SEE BARRIER RAIL SHEETS.



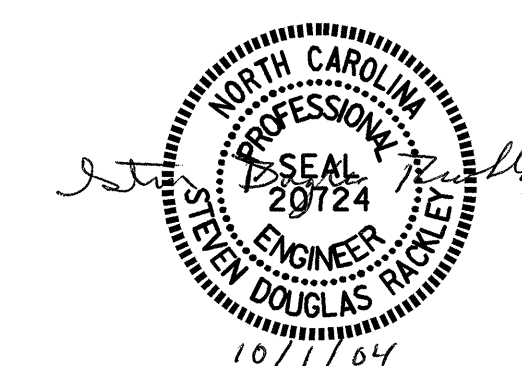
DETAIL "A"



DETAIL "B"

PROJECT NO. R-2911D
ROWAN COUNTY
 STATION: 231+17.87 -L-
14+25.15 -Y8-

STATE OF NORTH CAROLINA
 DEPARTMENT OF TRANSPORTATION
 RALEIGH
 SUPERSTRUCTURE
 PLAN OF SPAN A
 (LEFT LANE)



REVISIONS						SHEET NO.
NO.	BY:	DATE:	NO.	BY:	DATE:	S-5
1			3			TOTAL SHEETS
2			4			120

DRAWN BY : M.K. BEARD DATE : 05/17/04
 CHECKED BY : J.P. ADAMS DATE : 05/24/04