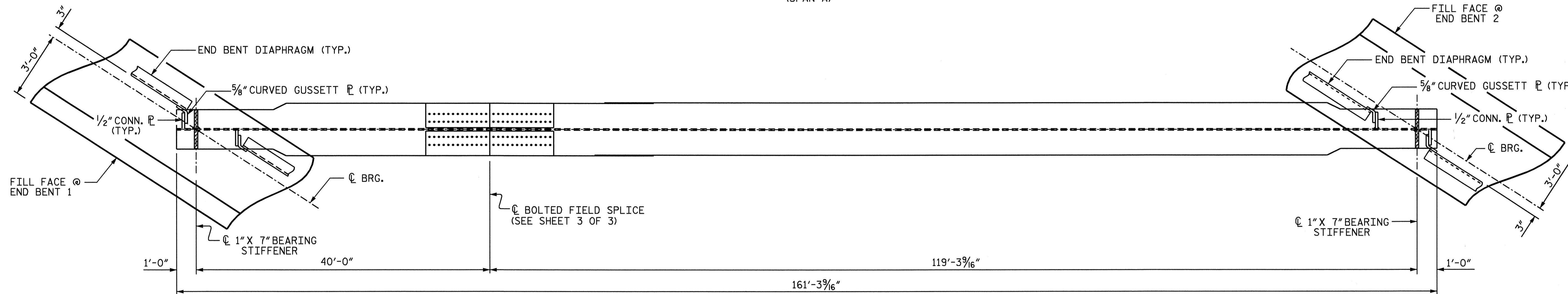
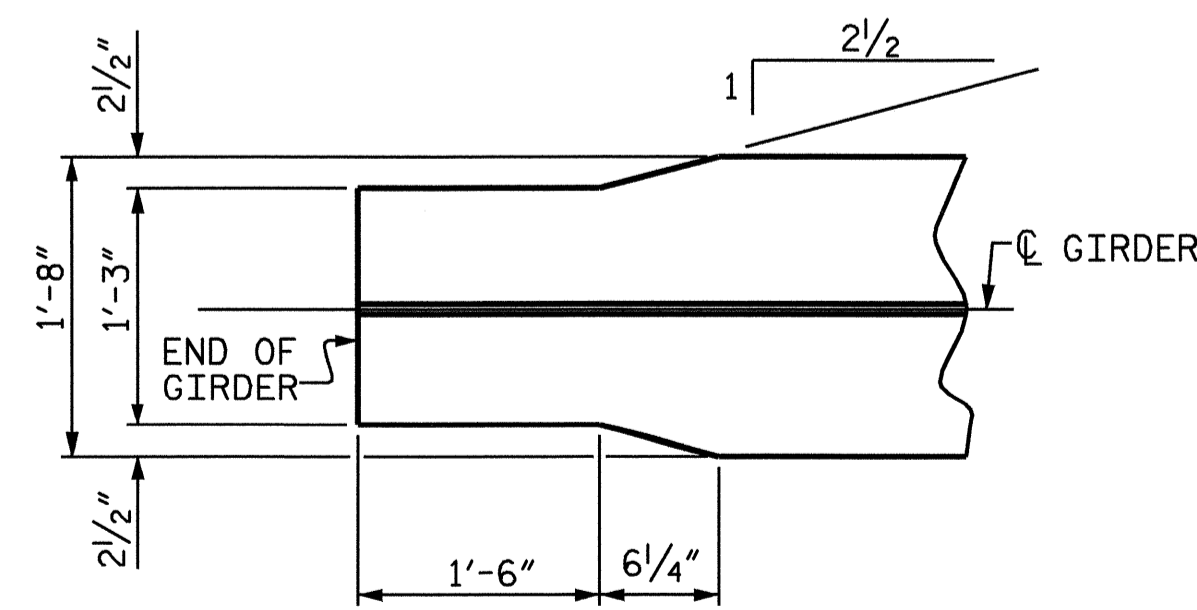


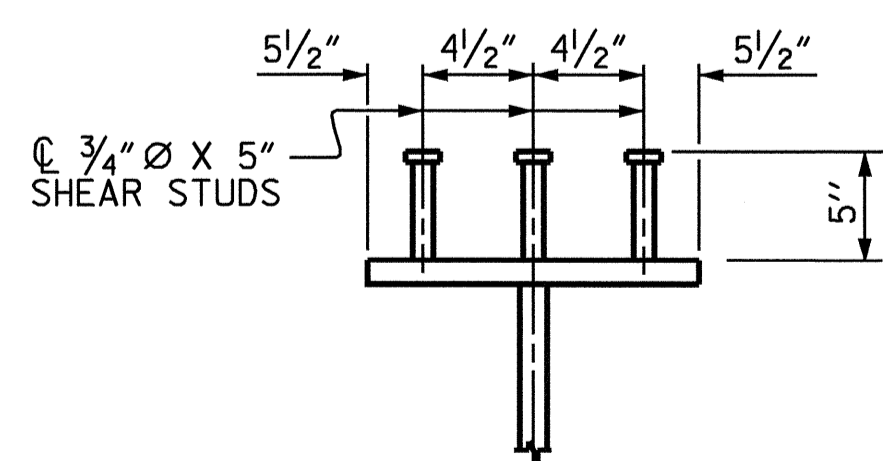
GIRDER ELEVATION
(SPAN A)



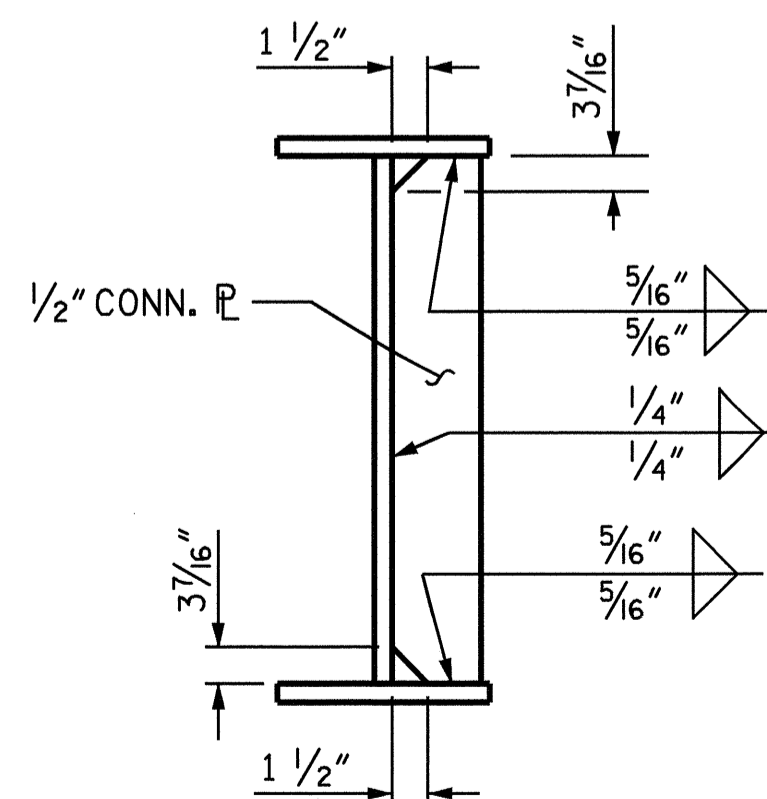
BOTTOM FLANGE DETAIL
(SPAN A)



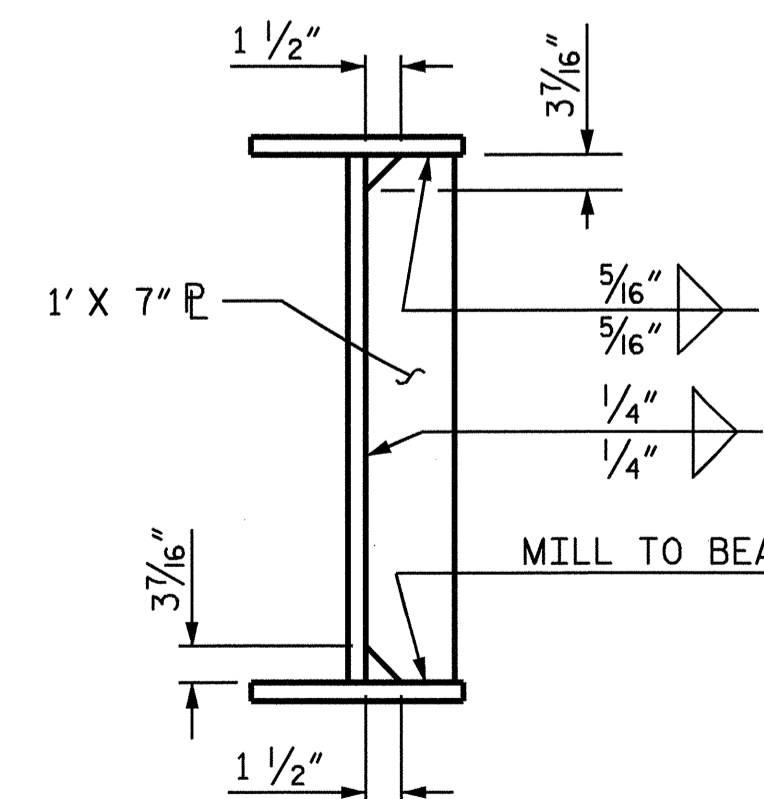
END OF GIRDER DETAIL
BOTTOM FLANGE ONLY



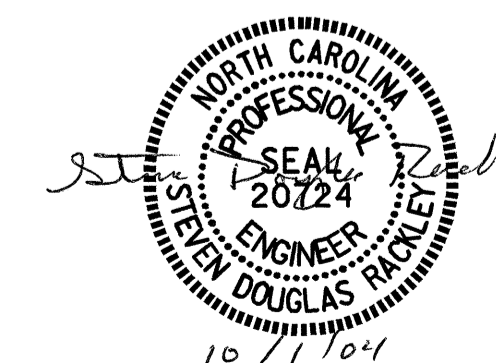
SHEAR STUD DETAILS



CONNECTOR PLATE



BEARING STIFFENER



PROJECT NO. R-2911D
ROWAN COUNTY
 STATION: 231+17.87 -L-
14+25.15 -Y8-
 SHEET 1 OF 3

STATE OF NORTH CAROLINA
 DEPARTMENT OF TRANSPORTATION
 RALEIGH
 SUPERSTRUCTURE
 STRUCTURAL STEEL
 DETAILS
 (LEFT LANE)

REVISIONS						SHEET NO.
NO.	BY:	DATE:	NO.	BY:	DATE:	S-7
1			3			TOTAL SHEETS 120
2			4			

DRAWN BY : M.K. BEARD DATE : 05/14/04
 CHECKED BY : J.P. ADAMS DATE : 05/25/04