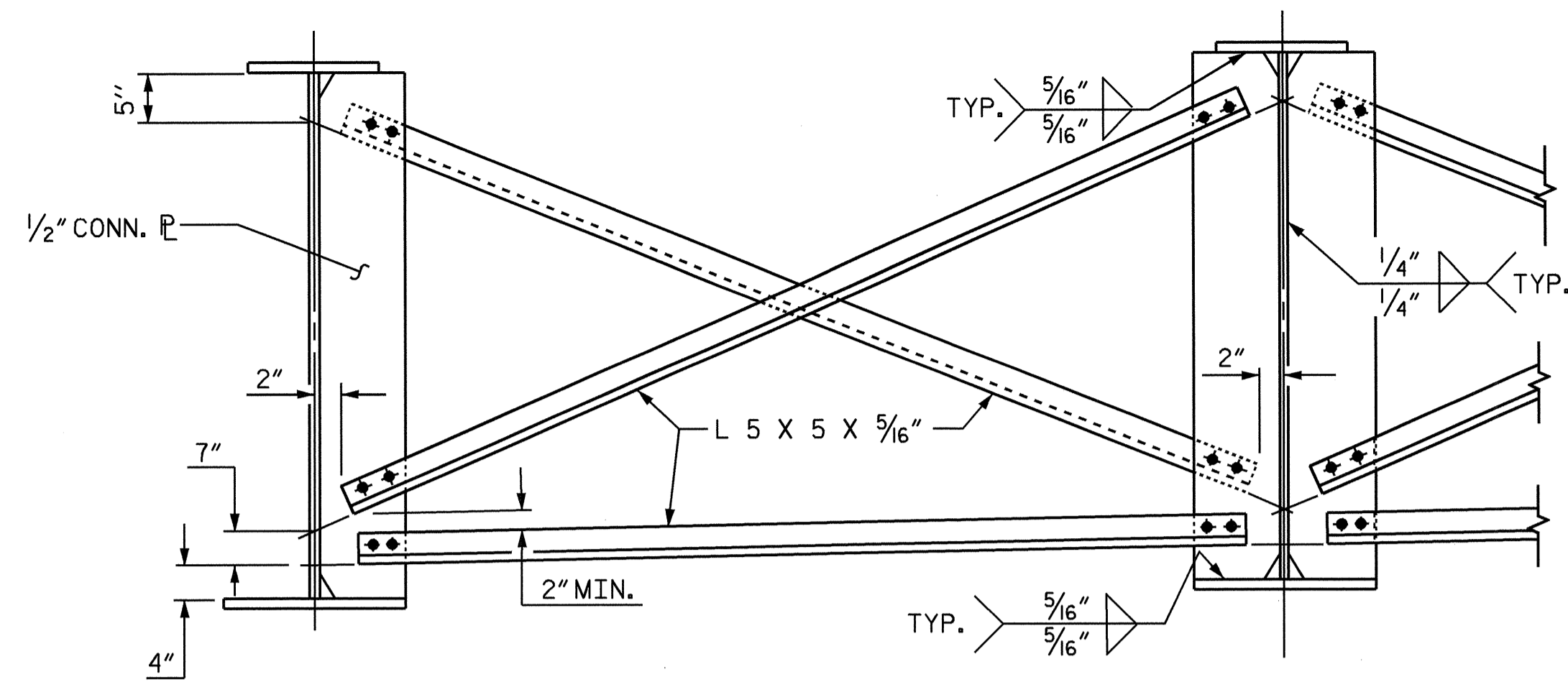
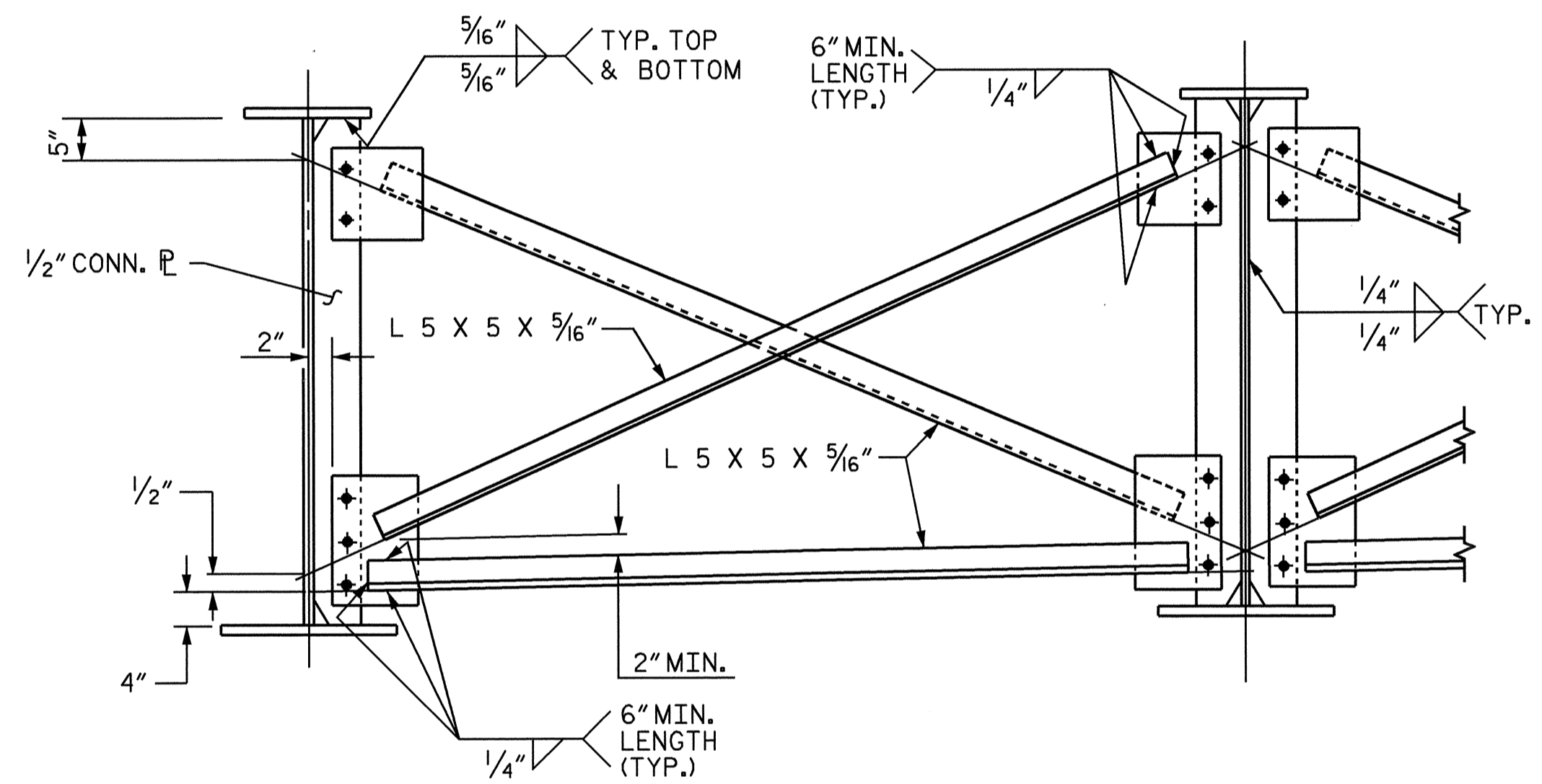


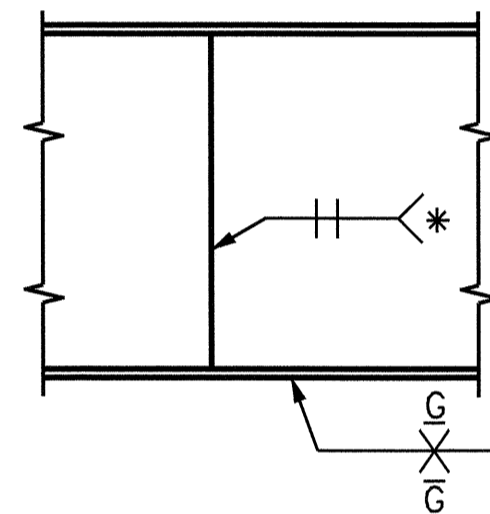
**TYPICAL END BENT DIAPHRAGM**



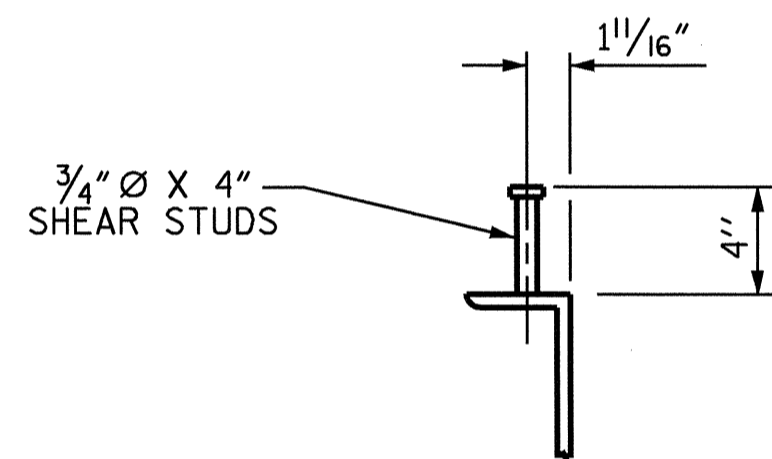
**TYPICAL INTERMEDIATE DIAPHRAGM**



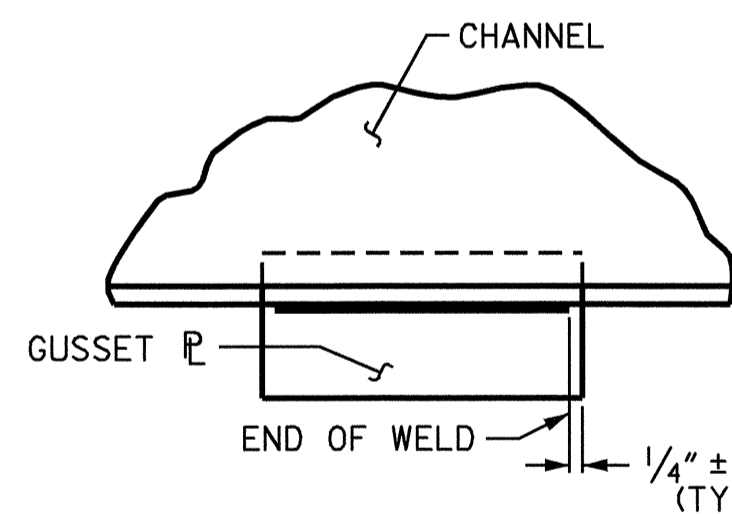
**OPTIONAL INTERMEDIATE DIAPHRAGM**



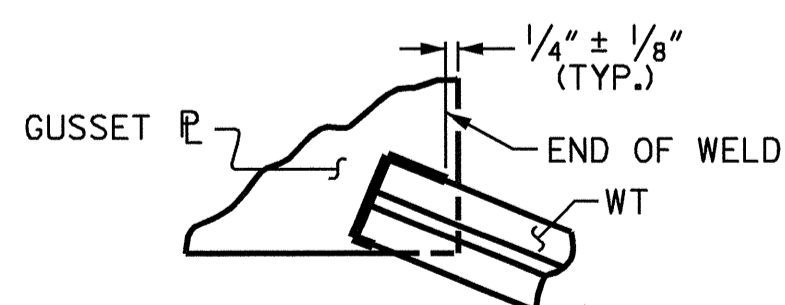
\* GRIND SMOOTH AND FLUSH ON OUTSIDE OF EXTERIOR GIRDER  
**PERMISSIBLE WEB AND FLANGE SHOP SPLICE**



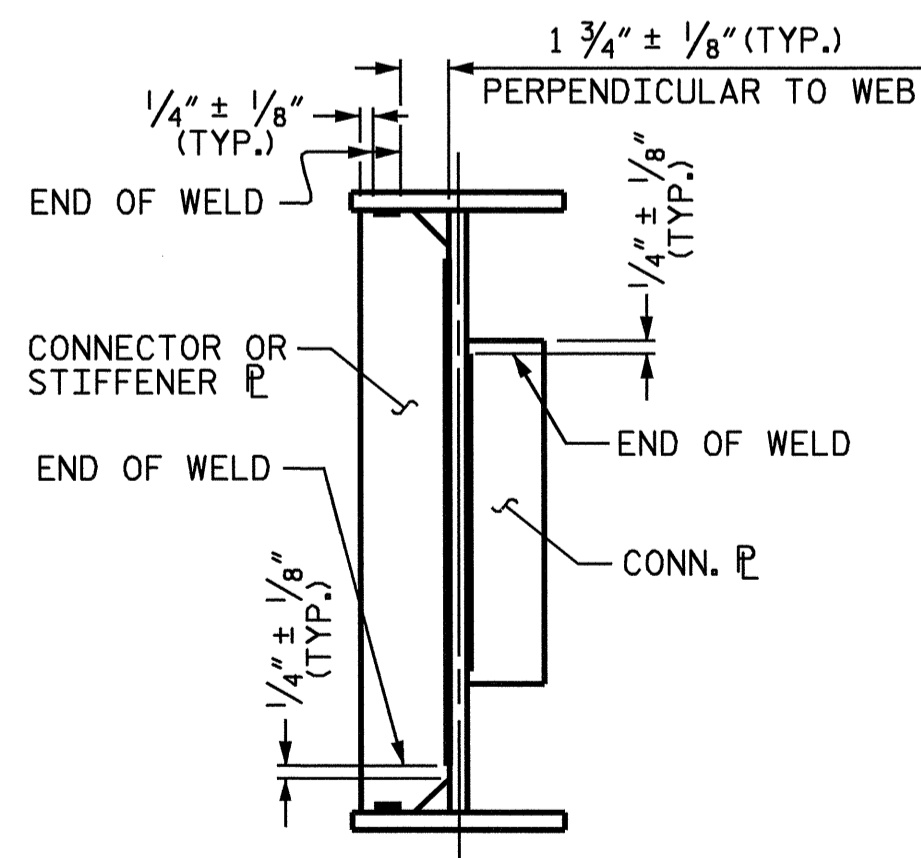
**SHEAR STUD DETAIL**



**TYPICAL GUSSET PLATE CONNECTION**

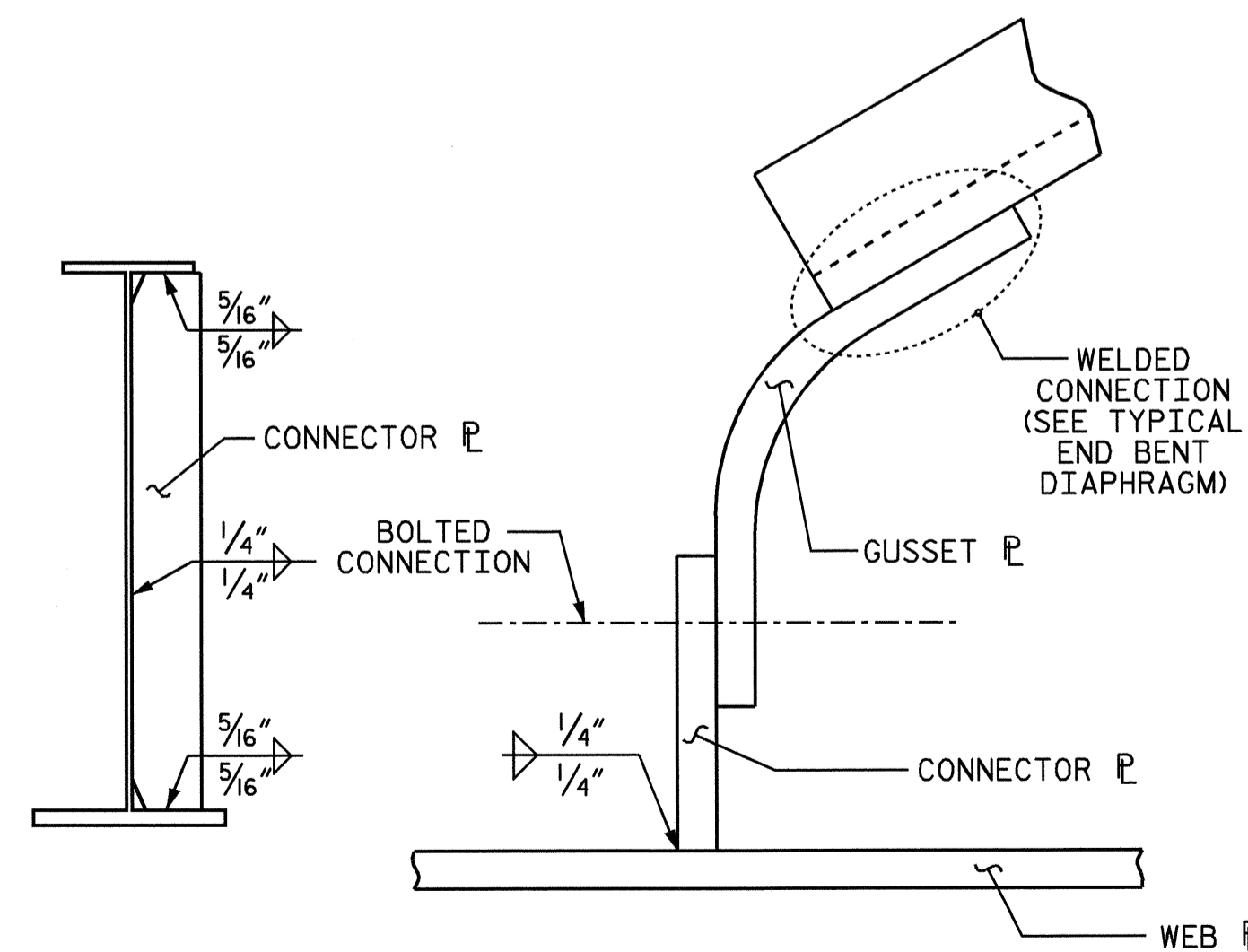


**TYPICAL "TEE" TO GUSSET PLATE CONNECTION**



**TYPICAL STIFFENER OR CONNECTOR PLATE CONNECTIONS**

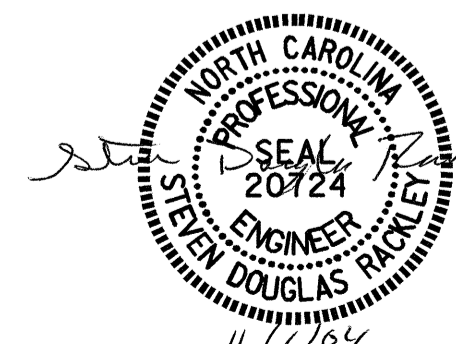
**WELD TERMINATION DETAILS**



**WELD DETAIL FOR CURVED GUSSET PLATE**

PROJECT NO. R-2911D  
ROWAN COUNTY  
 STATION: 231+17.87 -L-  
14+25.15 -Y8-  
 SHEET 2 OF 3

STATE OF NORTH CAROLINA DEPARTMENT OF TRANSPORTATION RALEIGH					
SUPERSTRUCTURE					
STRUCTURAL STEEL DETAILS					
(LEFT LANE)					
REVISIONS					
NO.	BY:	DATE:	NO.	BY:	DATE:
1			3		
2			4		
					SHEET NO. S-8
					TOTAL SHEETS 120



DRAWN BY : M.K. BEARD DATE : 05/14/04  
 CHECKED BY : J.P. ADAMS DATE : 05/25/04