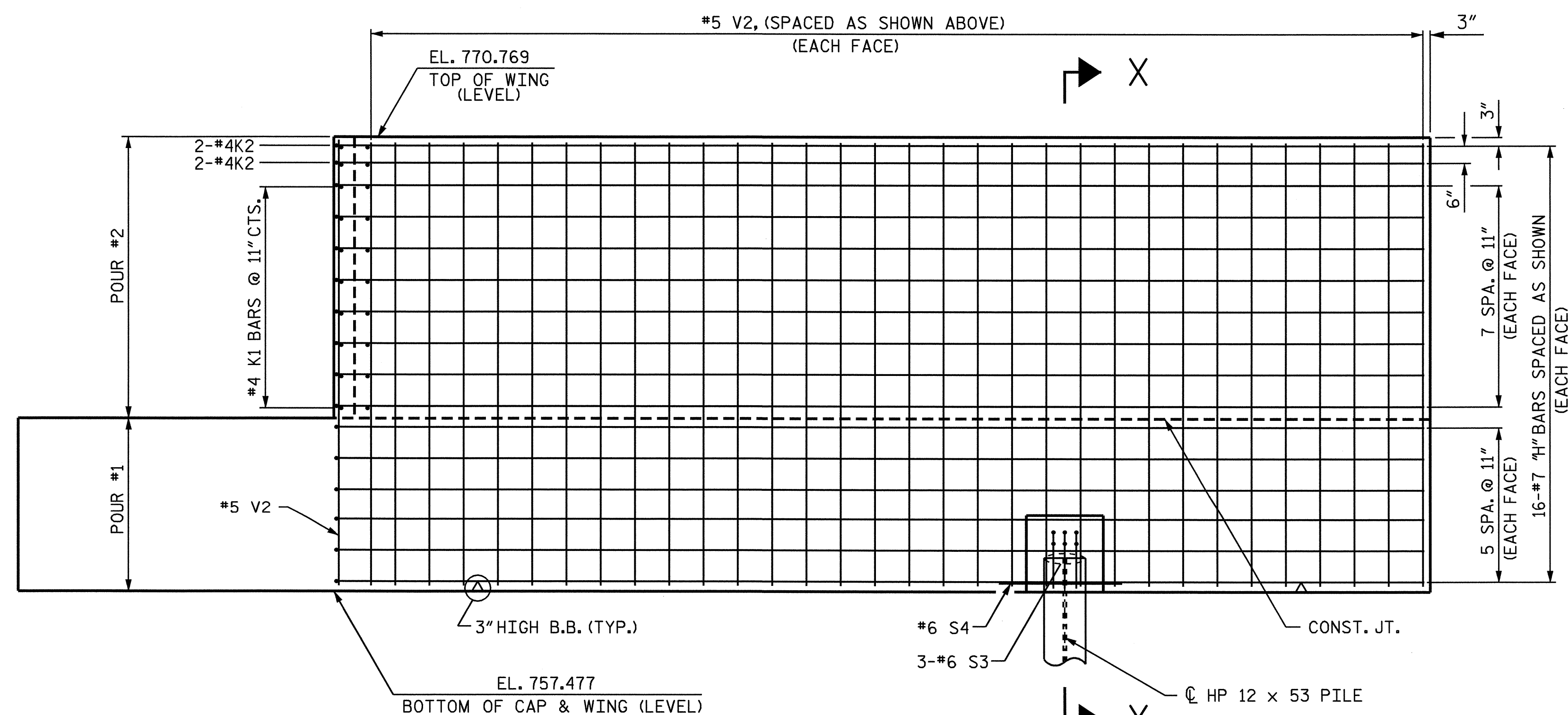
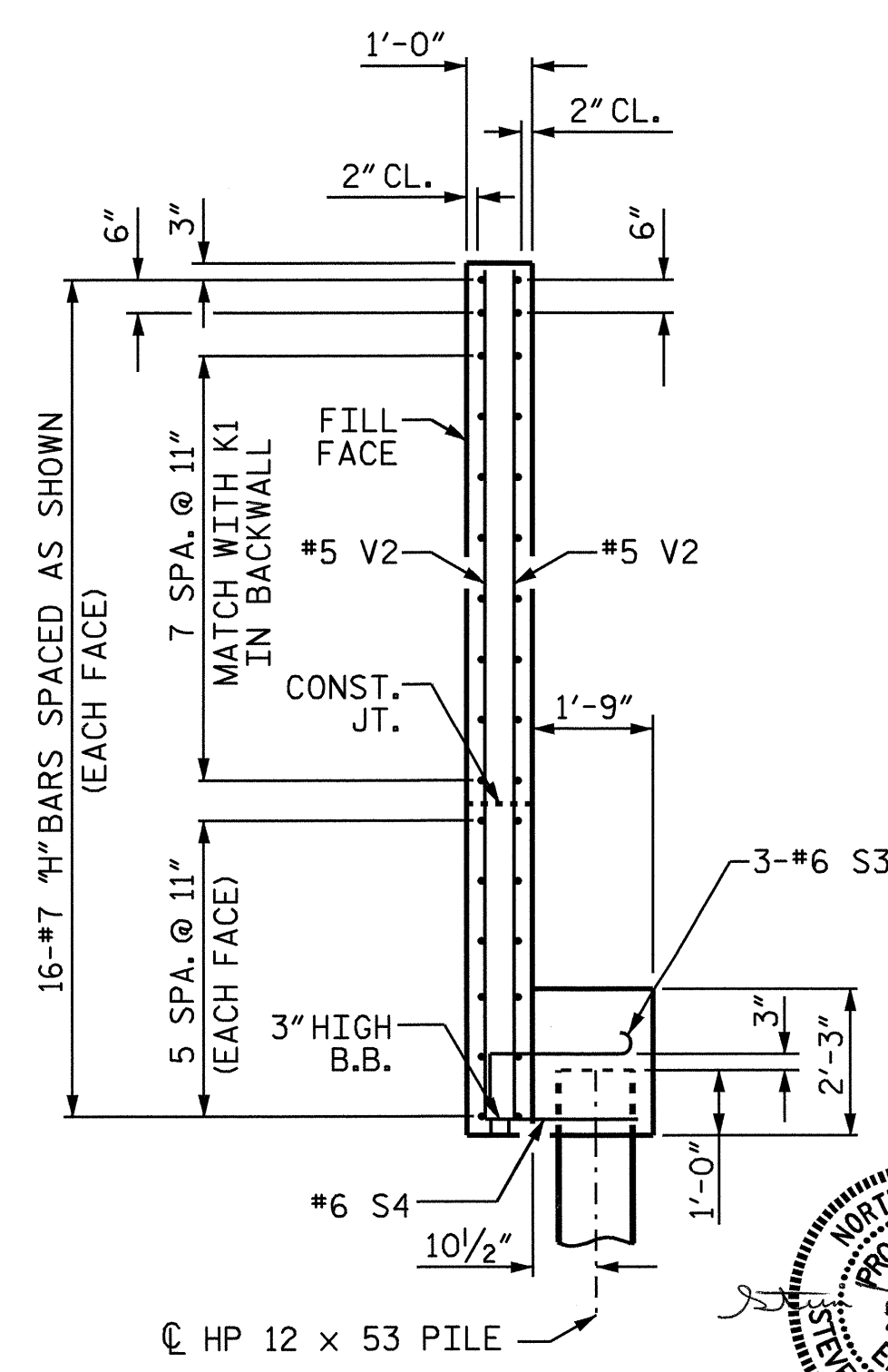


(W1) PLAN OF LEFT WING



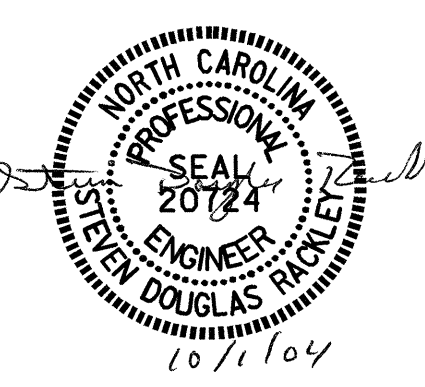
(W1) ELEVATION OF LEFT WING



SECTION X-X

PROJECT NO. R-2911D
ROWAN COUNTY
 STATION: 231+17.87 -L-
14+25.15 -Y8-
 SHEET 2 OF 5

STATE OF NORTH CAROLINA
 DEPARTMENT OF TRANSPORTATION
 RALEIGH
 SUBSTRUCTURE
 END BENT #1
 LEFT LANE
 WING (W1)



REVISIONS						SHEET NO.	
NO.	BY:	DATE:	NO.	BY:	DATE:	TOTAL SHEETS	
1			3			S-15	
2			4			120	

DRAWN BY: R. L. CHESSON DATE: 2004 AUG
 CHECKED BY: S. H. SOCKWELL DATE: 9/04

01-OCT-2004 11:14
 W:\squads\R2911D\FINAL_PLANS\STRI\R2911D.SD.E1.01.dgn
 srackley