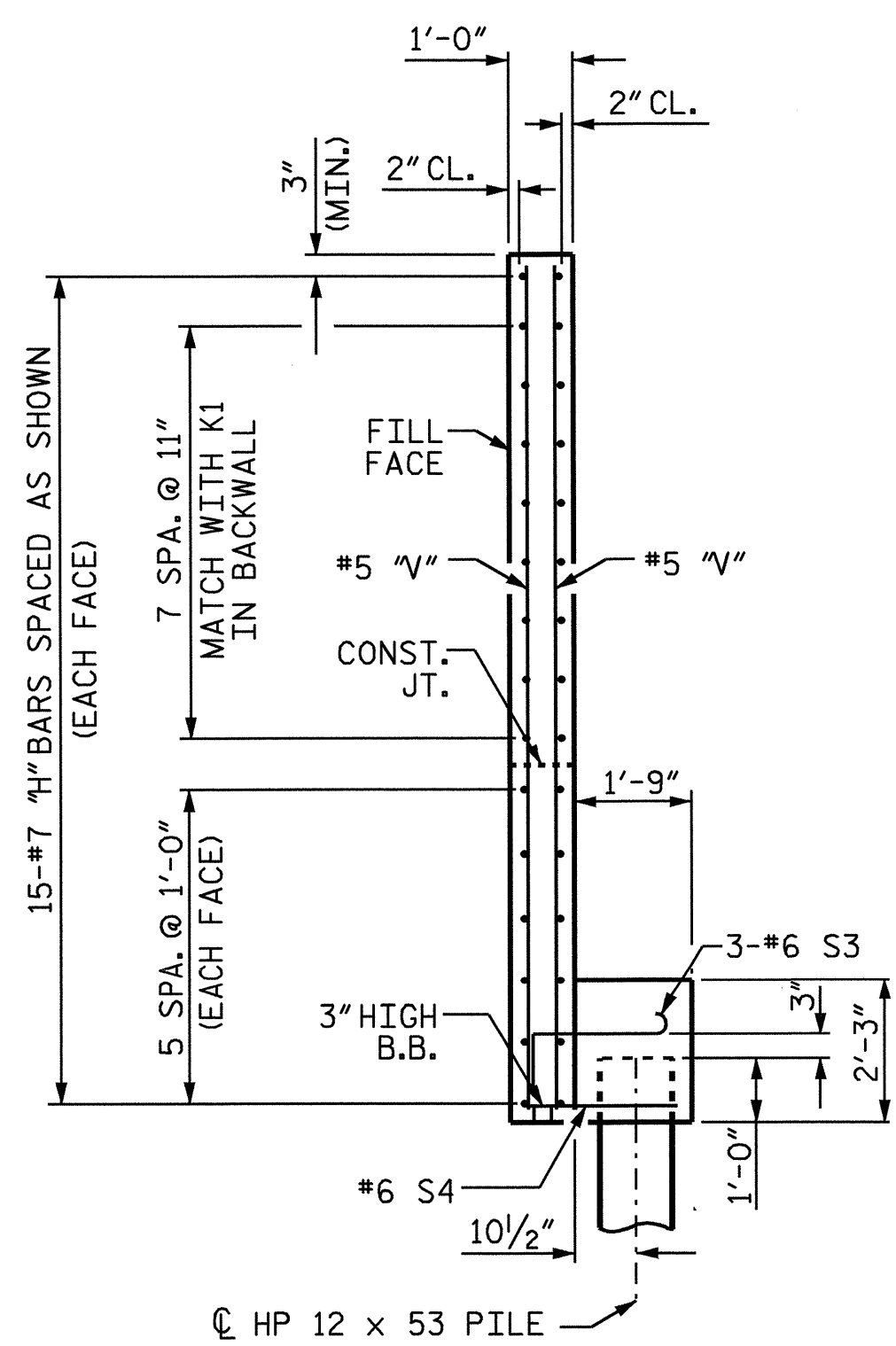
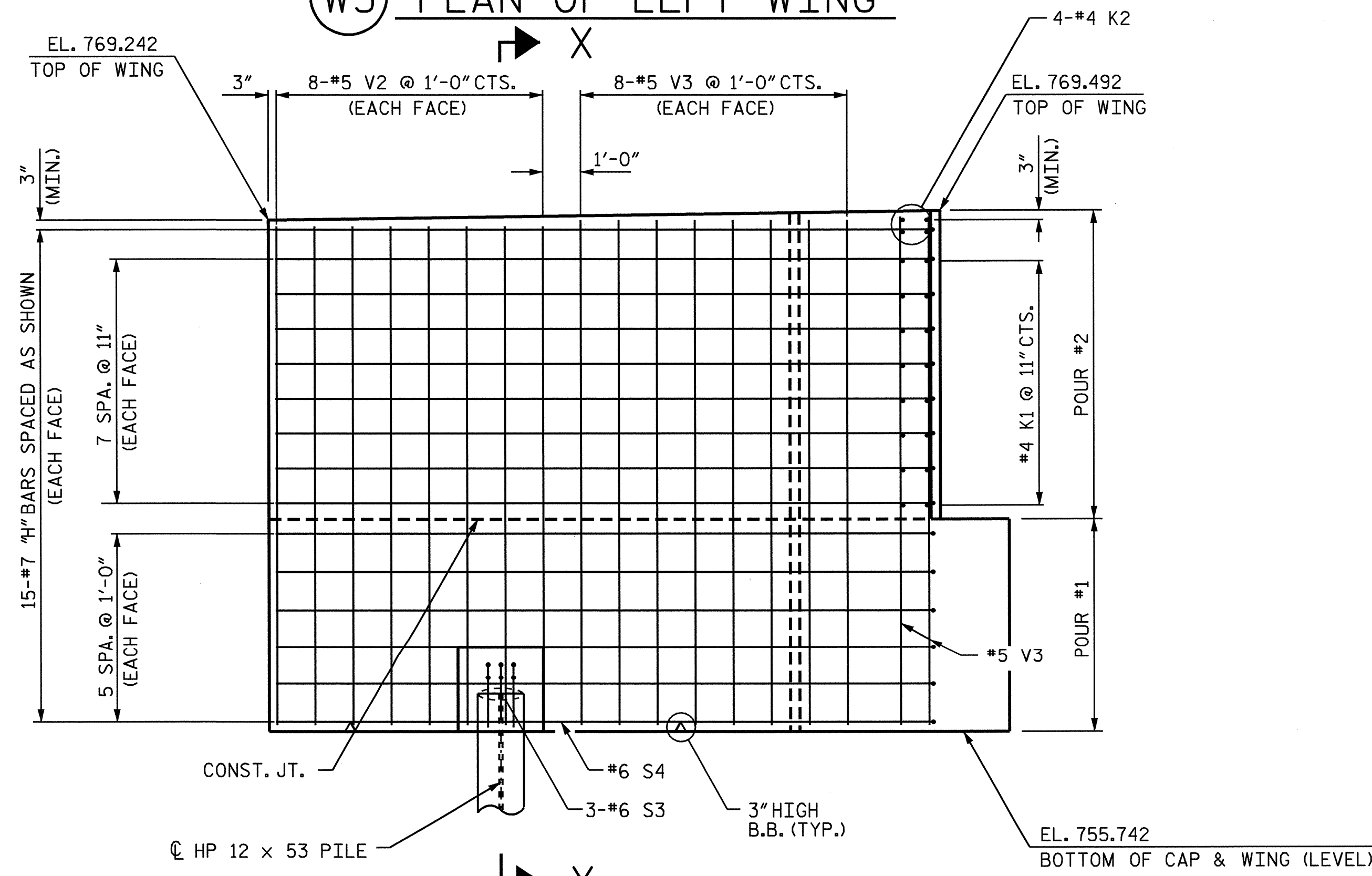


(W3) PLAN OF LEFT WING



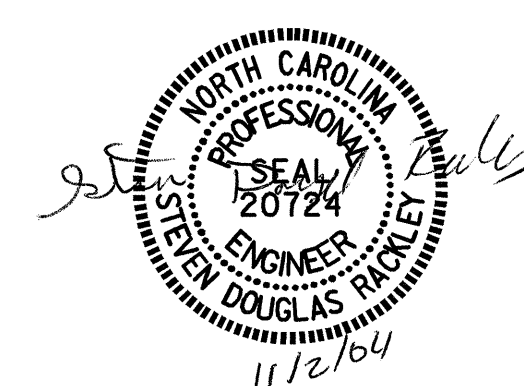
SECTION X-X



(W3) ELEVATION OF RIGHT WING

PROJECT NO. R-2911D
ROWAN COUNTY
 STATION: 231+17.87 -L-
14+25.15 -Y8-
 SHEET 2 OF 5

STATE OF NORTH CAROLINA
 DEPARTMENT OF TRANSPORTATION
 RALEIGH
 SUBSTRUCTURE
 END BENT #2
 LEFT LANE
 WING (W3)



DRAWN BY: R. L. CHESSON DATE: 2004 AUG
 CHECKED BY: S. H. SOCKWELL DATE: 9/04

REVISIONS						SHEET NO.	
NO.	BY:	DATE:	NO.	BY:	DATE:	S-20	
1			3			TOTAL	120
2			4			SHEETS	

03-NOV-2004 12:34
 w:\squads\R2911D\FINAL_PLANS\STR1\R2911D_SD_E2_01.dgn
 srackley