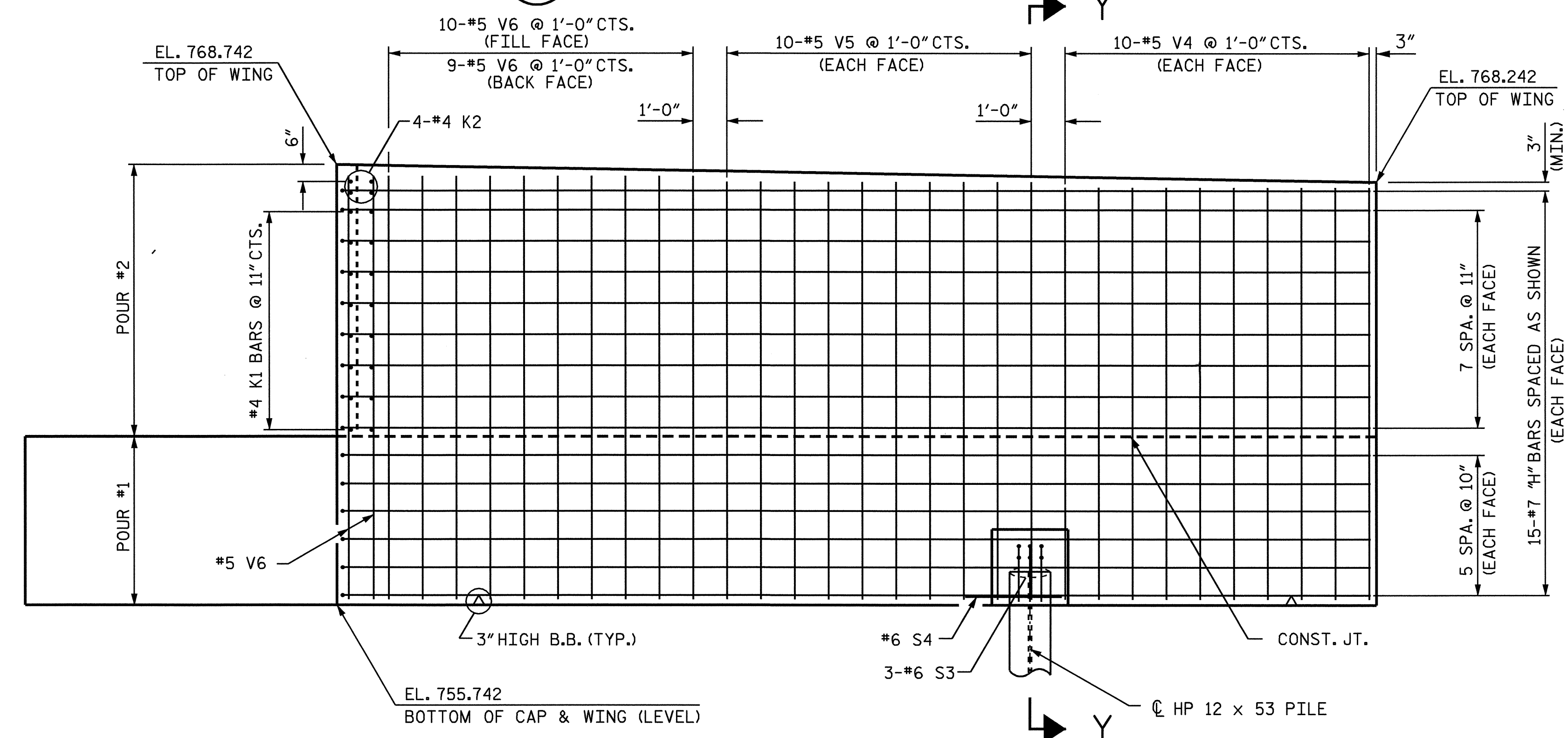
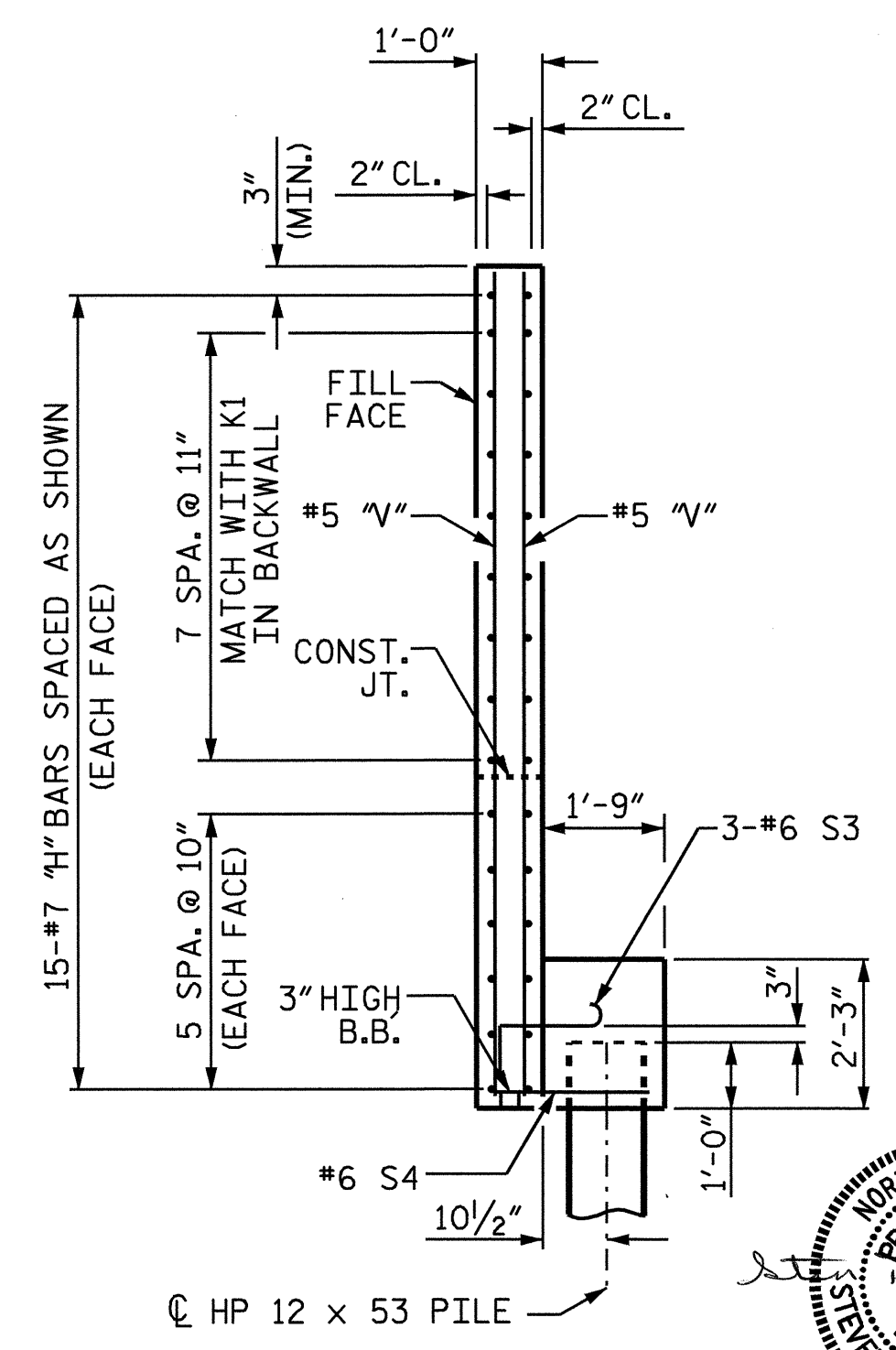


(W4) PLAN OF RIGHT WING



(W4) ELEVATION OF RIGHT WING



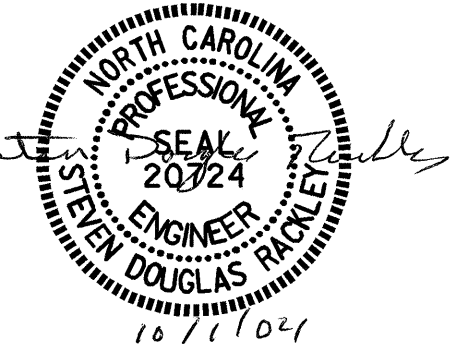
SECTION Y-Y

PROJECT NO. R-2911D
ROWAN COUNTY
 STATION: 231+17.87 -L-
14+25.15 -Y8-

SHEET 3 OF 5

STATE OF NORTH CAROLINA
 DEPARTMENT OF TRANSPORTATION
 RALEIGH

SUBSTRUCTURE
 END BENT #2
 LEFT LANE
 WING (W4)



REVISIONS						SHEET NO.	
NO.	BY:	DATE:	NO.	BY:	DATE:	S-21	
1			3			TOTAL SHEETS	
2			4			120	

DRAWN BY : R. L. CHESSON DATE : 2004 AUG
 CHECKED BY : S. H. SOCKWELL DATE : 9/04

01-OCT-2004 10:49
 W:\s\l\c\c\2911D\FINAL_PLANS\STR1\R2911D_SD_E2_01.dgn
 srackley