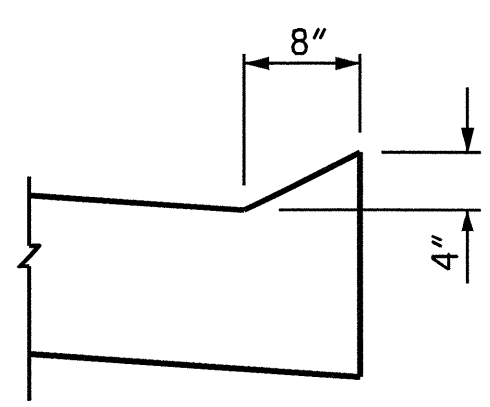
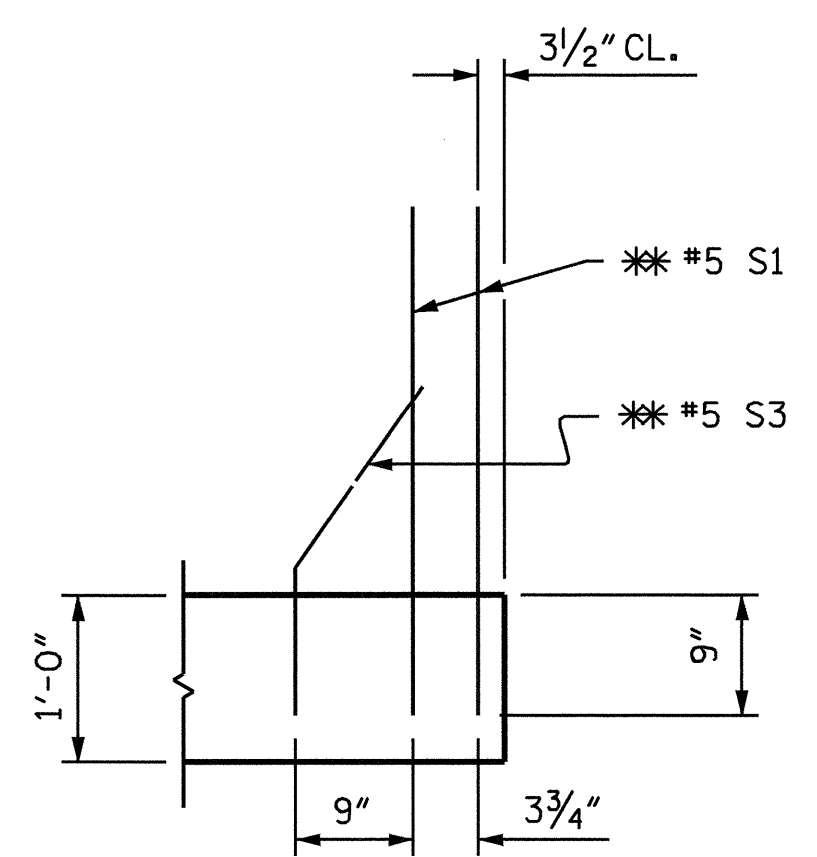


PLAN AT END BENT 1

PLAN AT END BENT 2

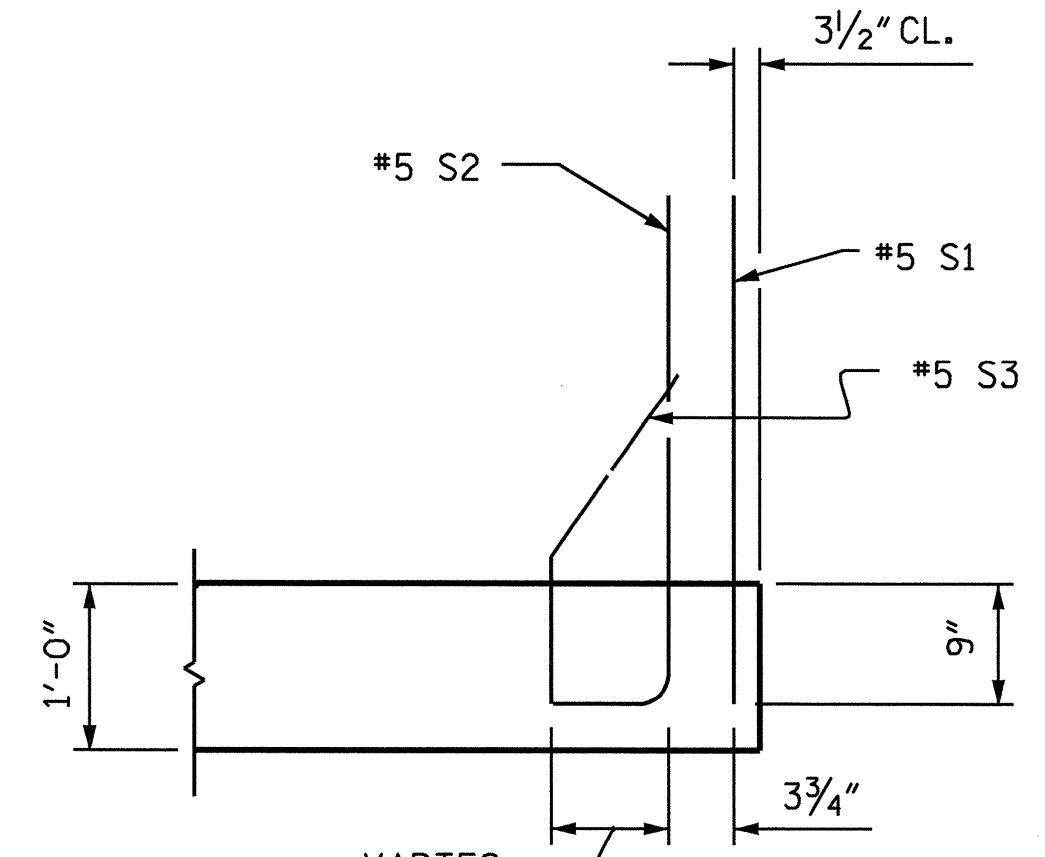


SECTION N-N



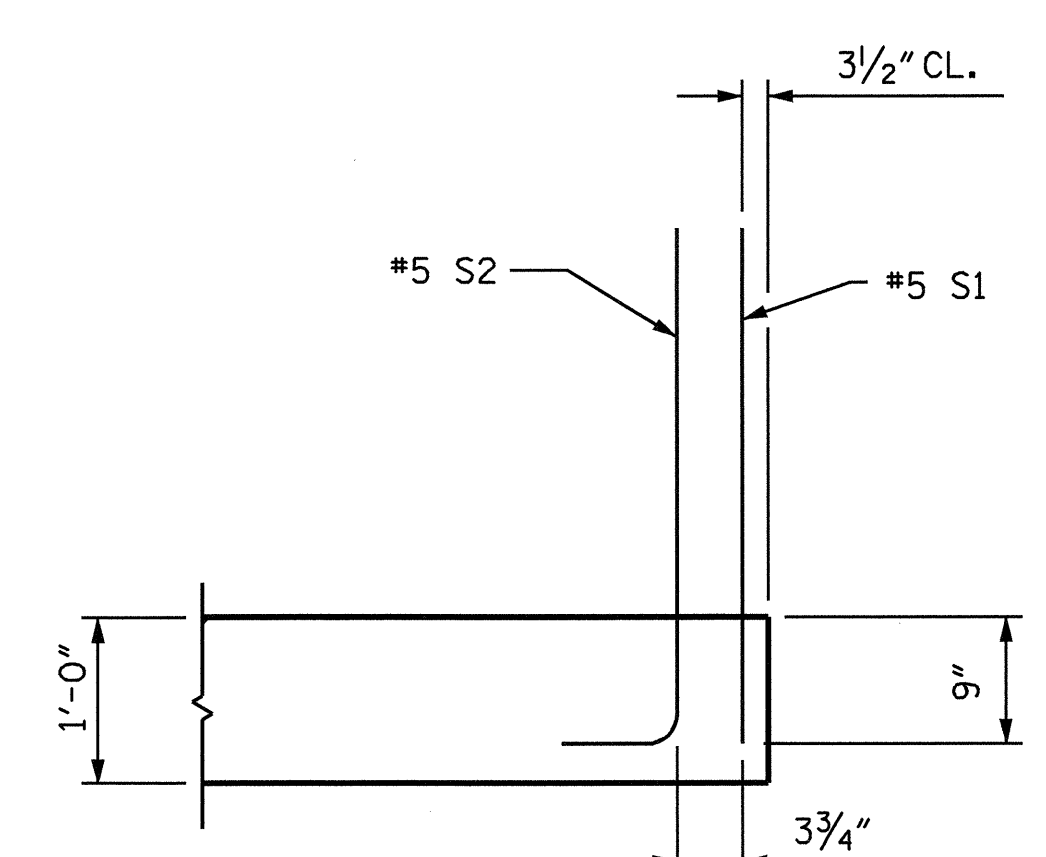
SECTION K-K

** ADHESIVELY ANCHORED



SECTION L-L

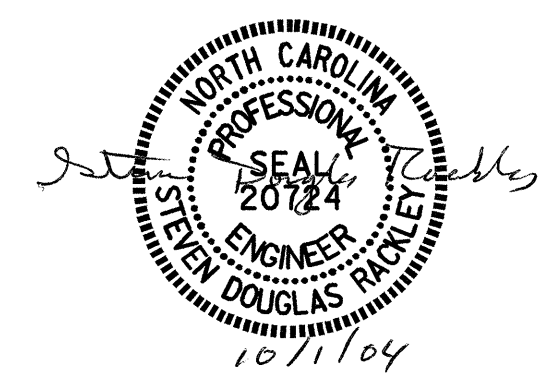
VARIES



SECTION M-M

DRAWN BY: A. CHAN DATE: 5/11/04
 CHECKED BY: A. K. PATEL DATE: 5/14/04

01-OCT-2004 11:00
 W:\squads\R2911D\FINAL_PLANS\STR1\R2911D.SD_AS_01.dgn
 srackley



PROJECT NO. R-2911D
 ROWAN COUNTY
 STATION: 231+17.87 -L-
 14+25.15 -Y8-
 SHEET 1 OF 4

STATE OF NORTH CAROLINA
 DEPARTMENT OF TRANSPORTATION
 RALEIGH
 BRIDGE APPROACH
 SLAB FOR FLEXIBLE
 PAVEMENT
 WITH BARRIER RAIL
 (LEFT LANE)

REVISIONS						SHEET NO.
NO.	BY:	DATE:	NO.	BY:	DATE:	S-24
1			3			TOTAL SHEETS 120
2			4			