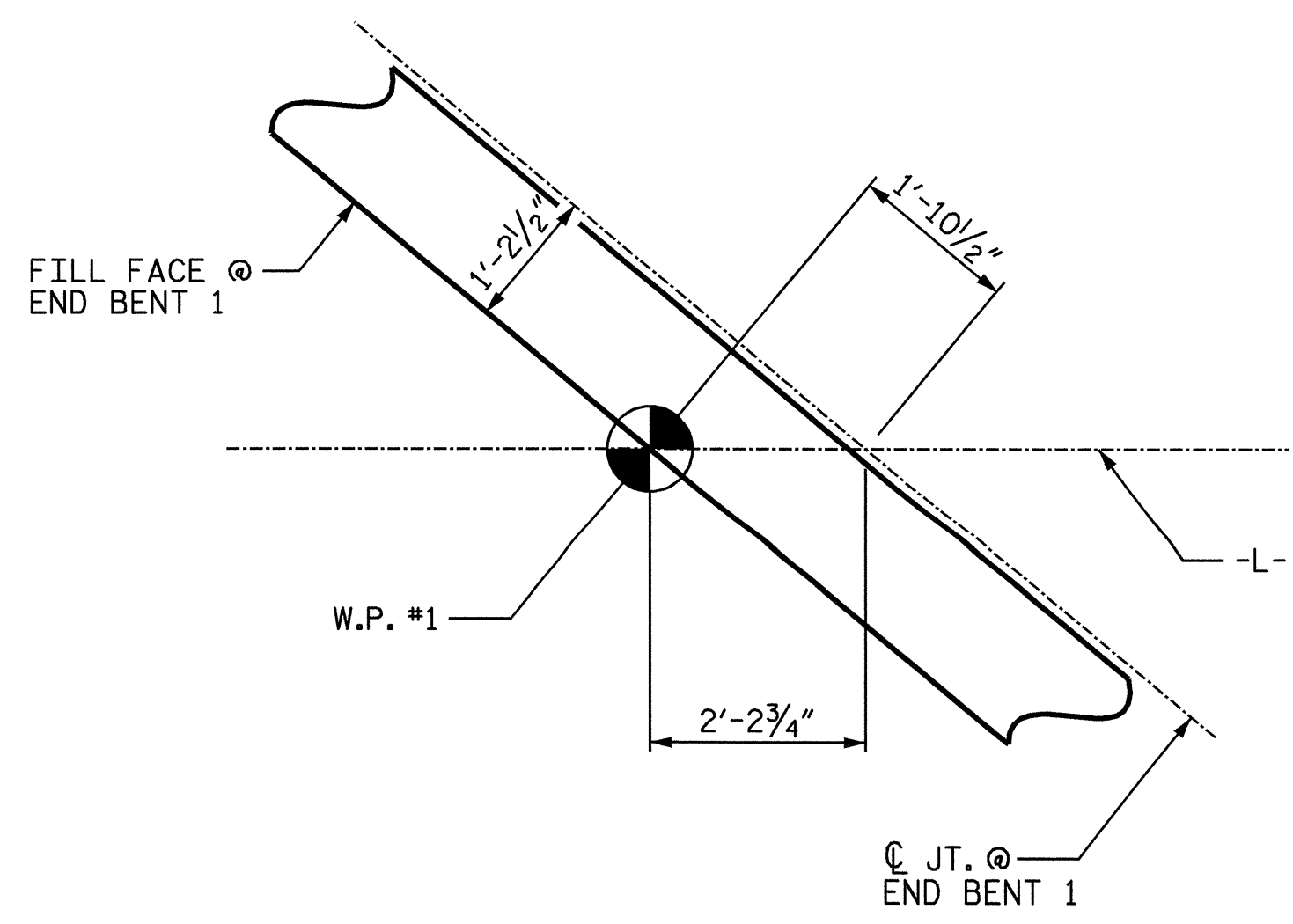
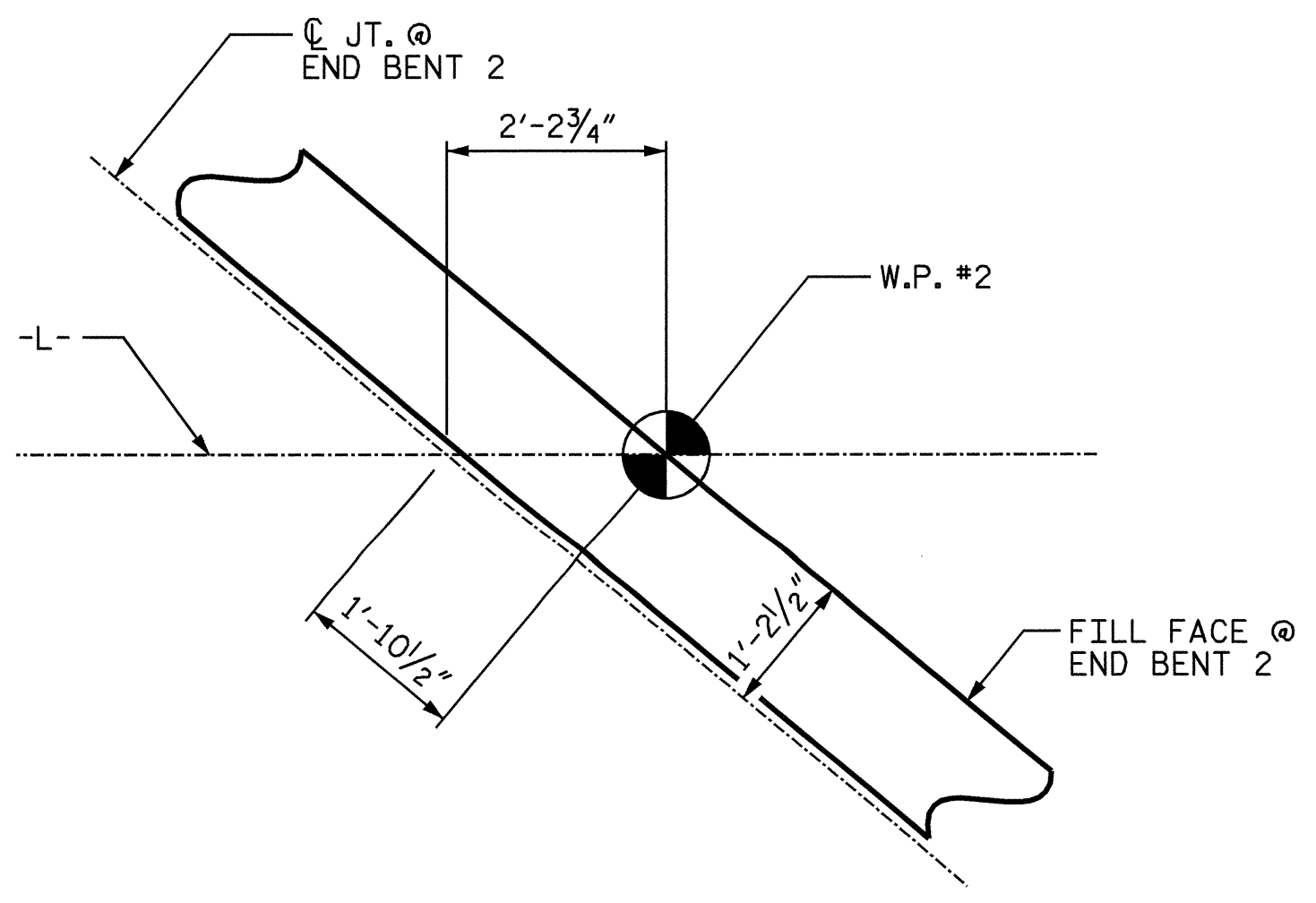


PLAN OF SPAN A

FOR LOCATION OF INTERMEDIATE DIAPHRAGMS, SEE FRAMING PLAN.
 FOR BARRIER RAIL REINFORCING STEEL & DETAILS, SEE BARRIER RAIL SHEETS.



DETAIL "A"



DETAIL "B"

PROJECT NO. R-2911D
ROWAN COUNTY
 STATION: 231+17.87 -L-
14+25.15 -Y8-

STATE OF NORTH CAROLINA DEPARTMENT OF TRANSPORTATION RALEIGH					
SUPERSTRUCTURE PLAN OF SPAN A (RIGHT LANE)					
REVISIONS					
NO.	BY:	DATE:	NO.	BY:	DATE:
1			3		
2			4		
					SHEET NO. S-32
					TOTAL SHEETS 120



DRAWN BY : M.K. BEARD DATE : 05/17/04
 CHECKED BY : J.P. ADAMS DATE : 05/24/04

01-OCT-2004 11:20
 W:\squads\R2911D\FINAL_PLANS\STR2\R-2911D.sd_s*_02.dgn
 srackley