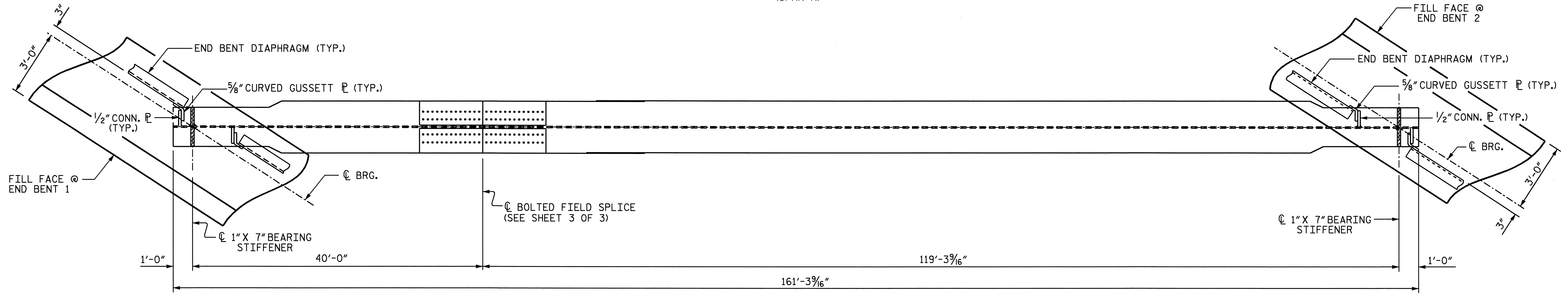
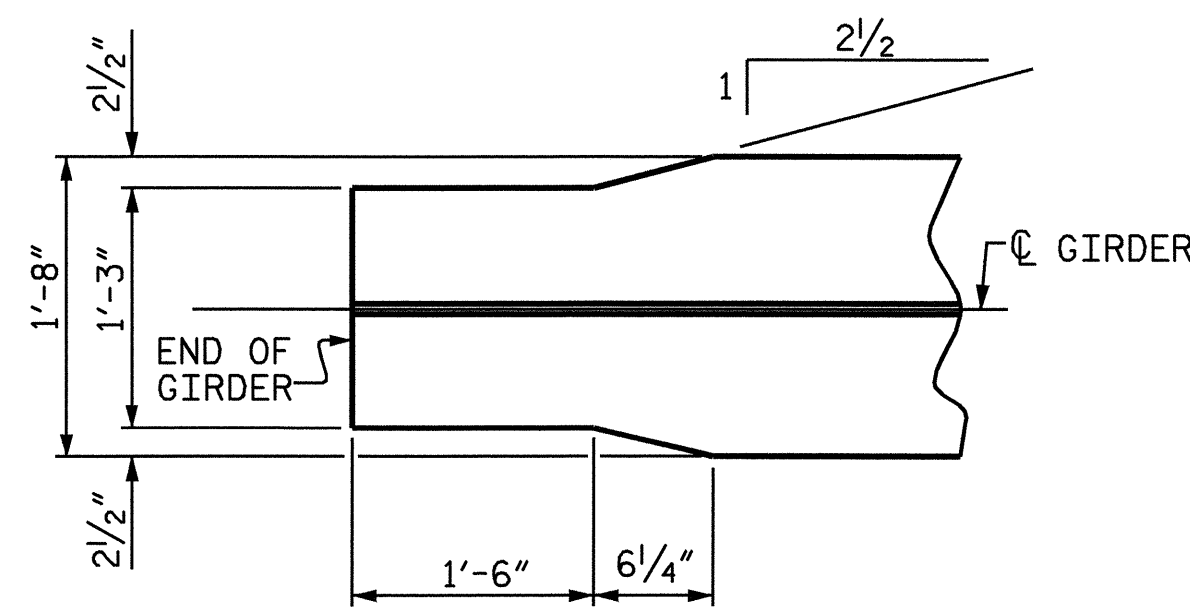


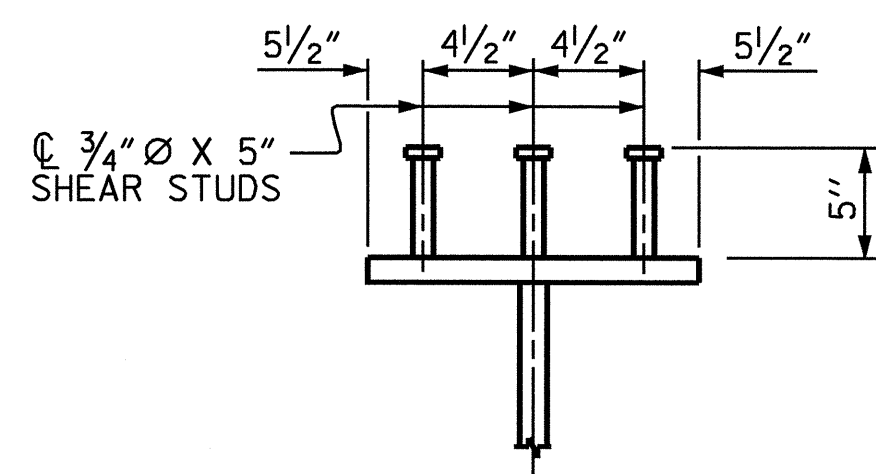
GIRDER ELEVATION
(SPAN A)



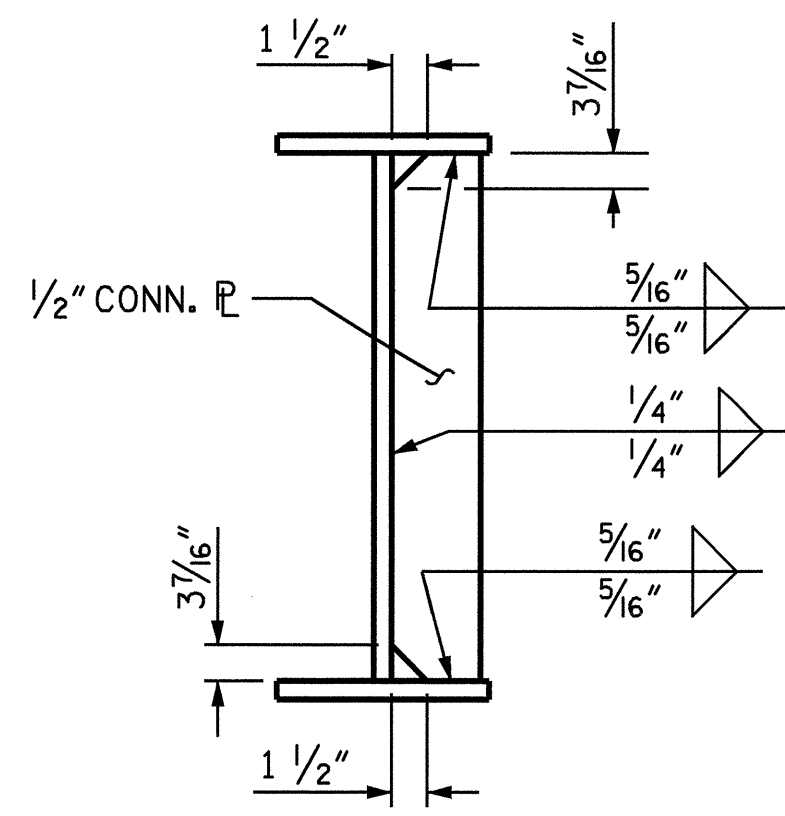
BOTTOM FLANGE DETAIL
(SPAN A)



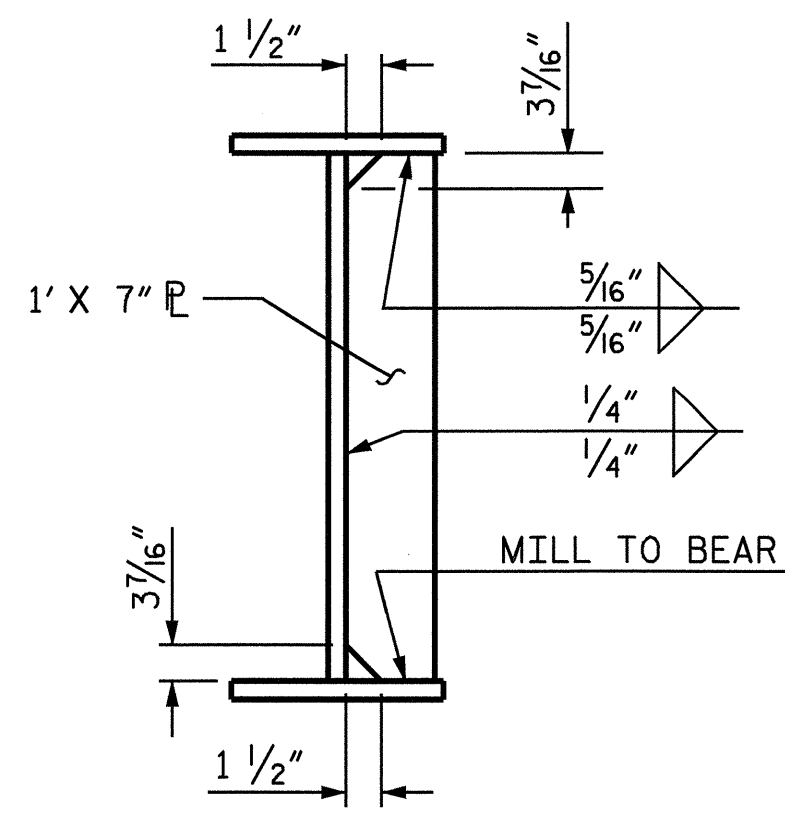
END OF GIRDER DETAIL
BOTTOM FLANGE ONLY



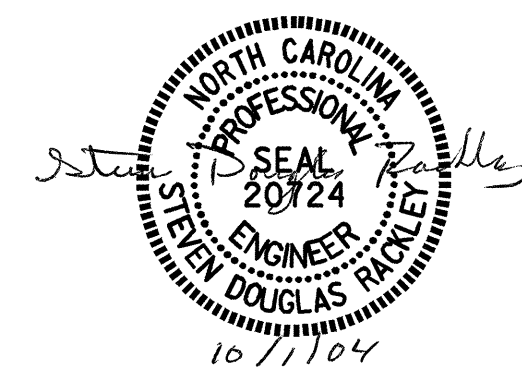
SHEAR STUD DETAILS



CONNECTOR PLATE



BEARING STIFFENER



PROJECT NO. R-2911D
ROWAN COUNTY
STATION: 231+17.87 -L-
14+25.15 -Y8-
SHEET 1 OF 3

STATE OF NORTH CAROLINA
DEPARTMENT OF TRANSPORTATION
RALEIGH
SUPERSTRUCTURE
STRUCTURAL STEEL
DETAILS
(RIGHT LANE)

REVISIONS						SHEET NO.
NO.	BY:	DATE:	NO.	BY:	DATE:	S-34
1			3			TOTAL SHEETS
2			4			120

DRAWN BY: M.K. BEARD DATE: 05/14/04
CHECKED BY: J.P. ADAMS DATE: 05/25/04

01-OCT-2004 11:22
W:\squads\R2911D\FINAL_PLANS\STR2\R-2911D.sd_SS_02.dgn
brackley