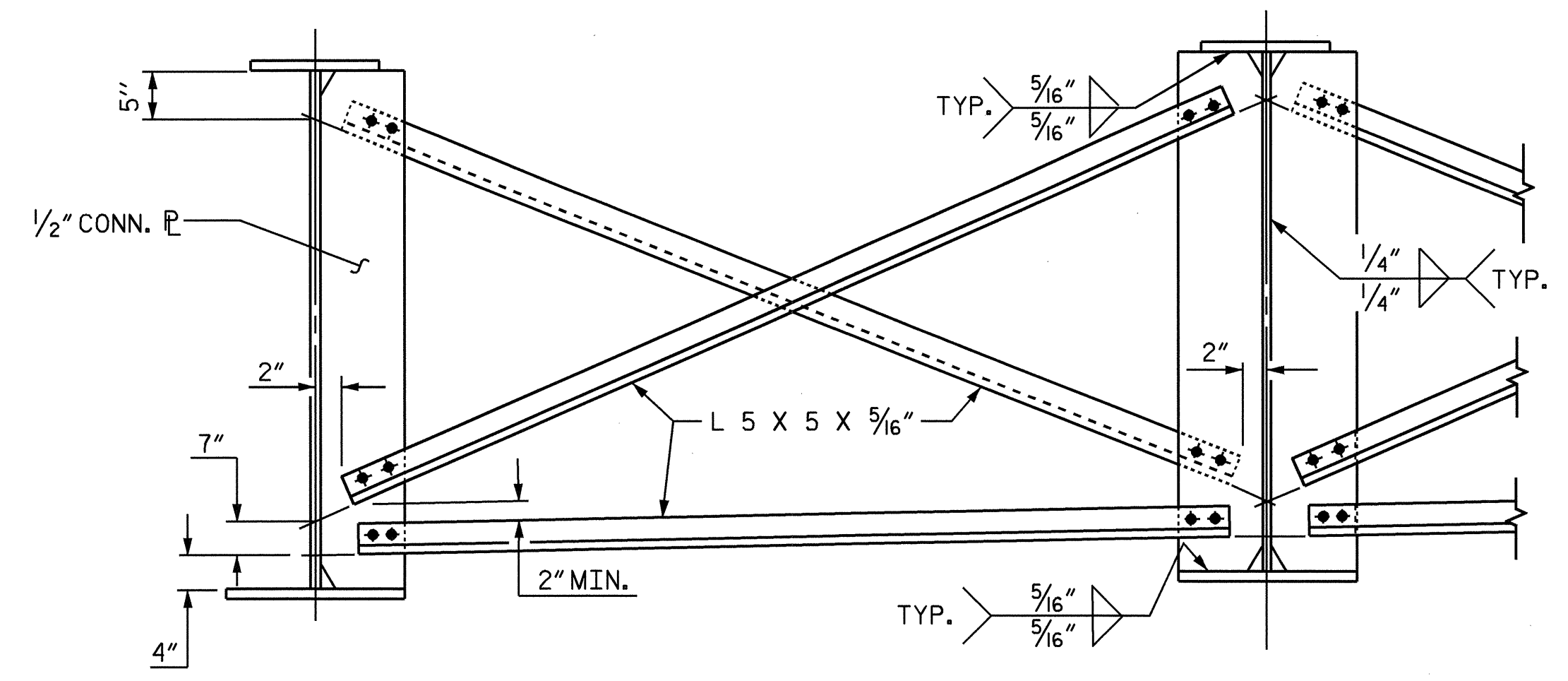
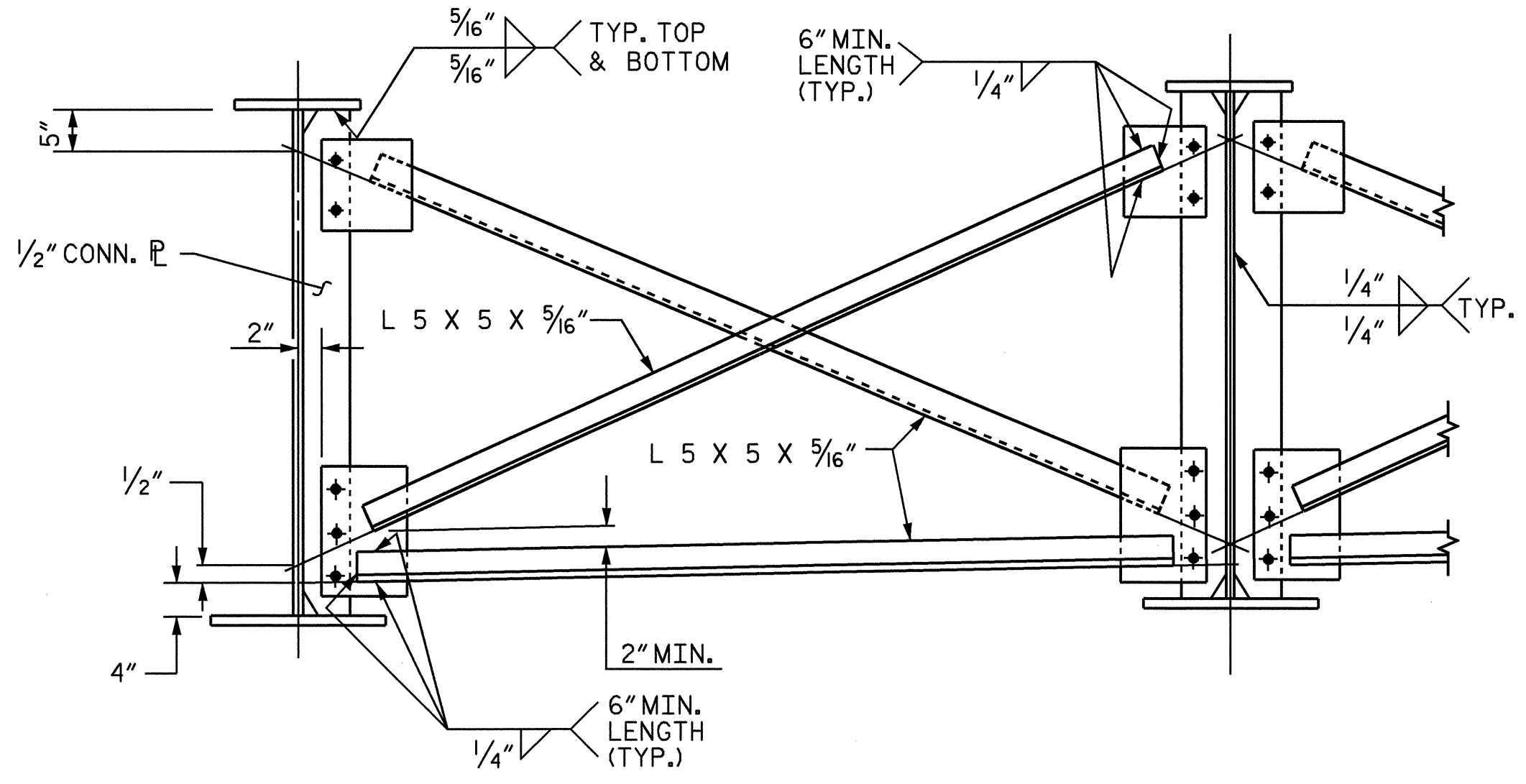


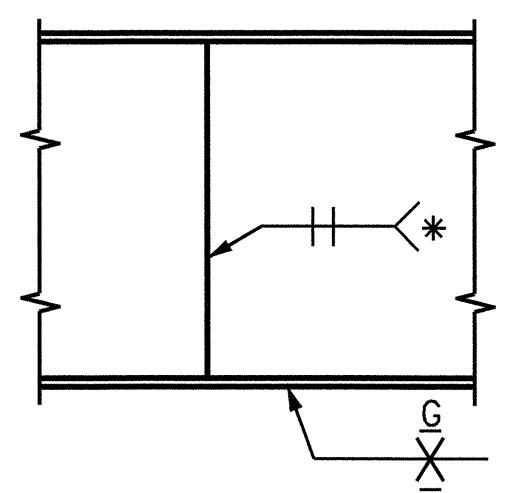
TYPICAL END BENT DIAPHRAGM



TYPICAL INTERMEDIATE DIAPHRAGM

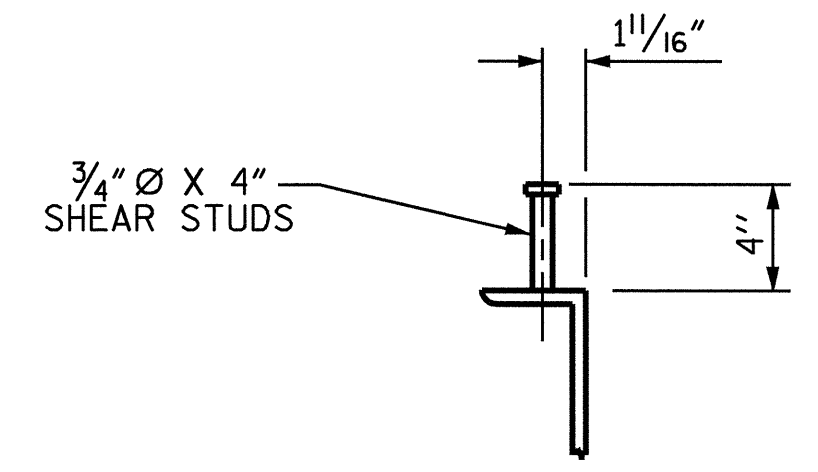


OPTIONAL INTERMEDIATE DIAPHRAGM

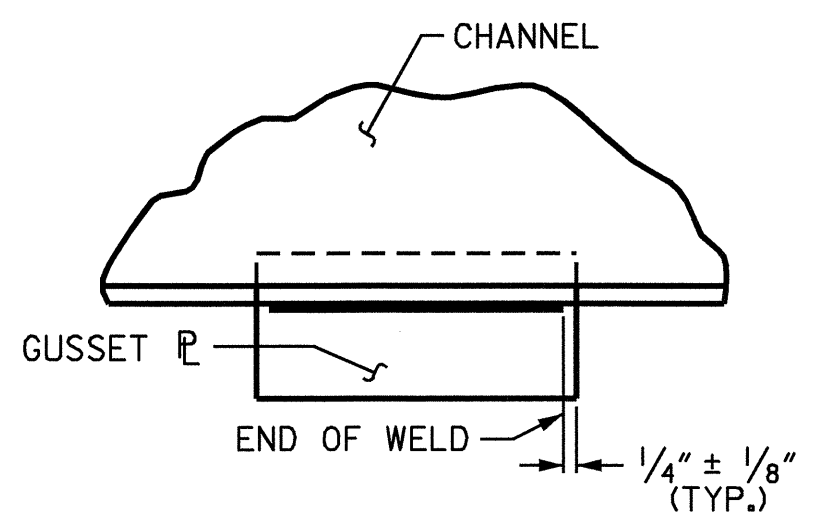


* GRIND SMOOTH AND FLUSH ON OUTSIDE OF EXTERIOR GIRDER

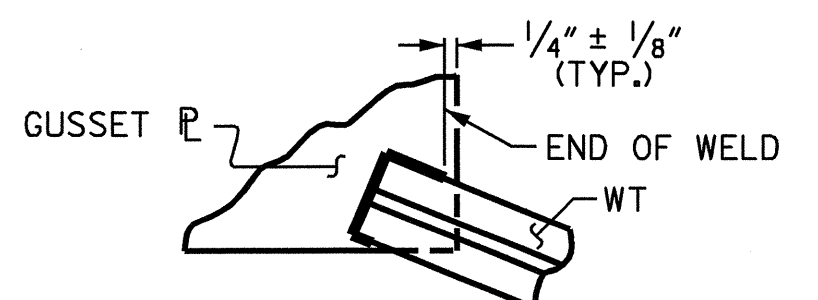
PERMISSIBLE WEB AND FLANGE SHOP SPLICE



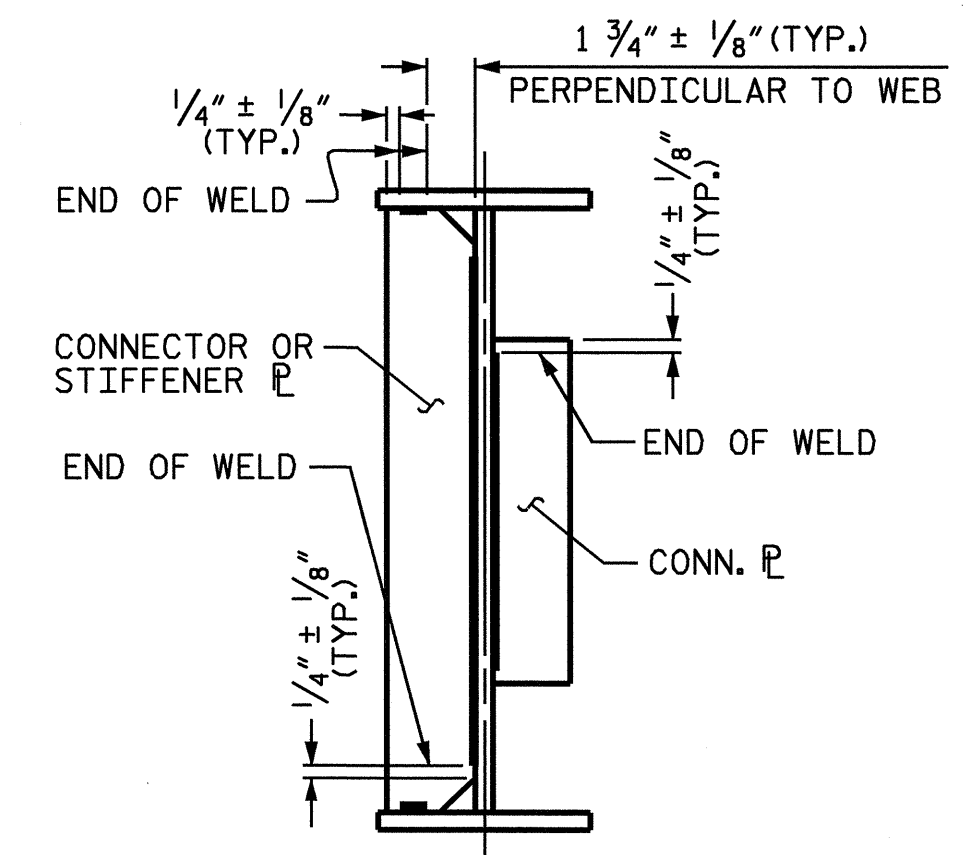
SHEAR STUD DETAIL



TYPICAL GUSSET PLATE CONNECTION

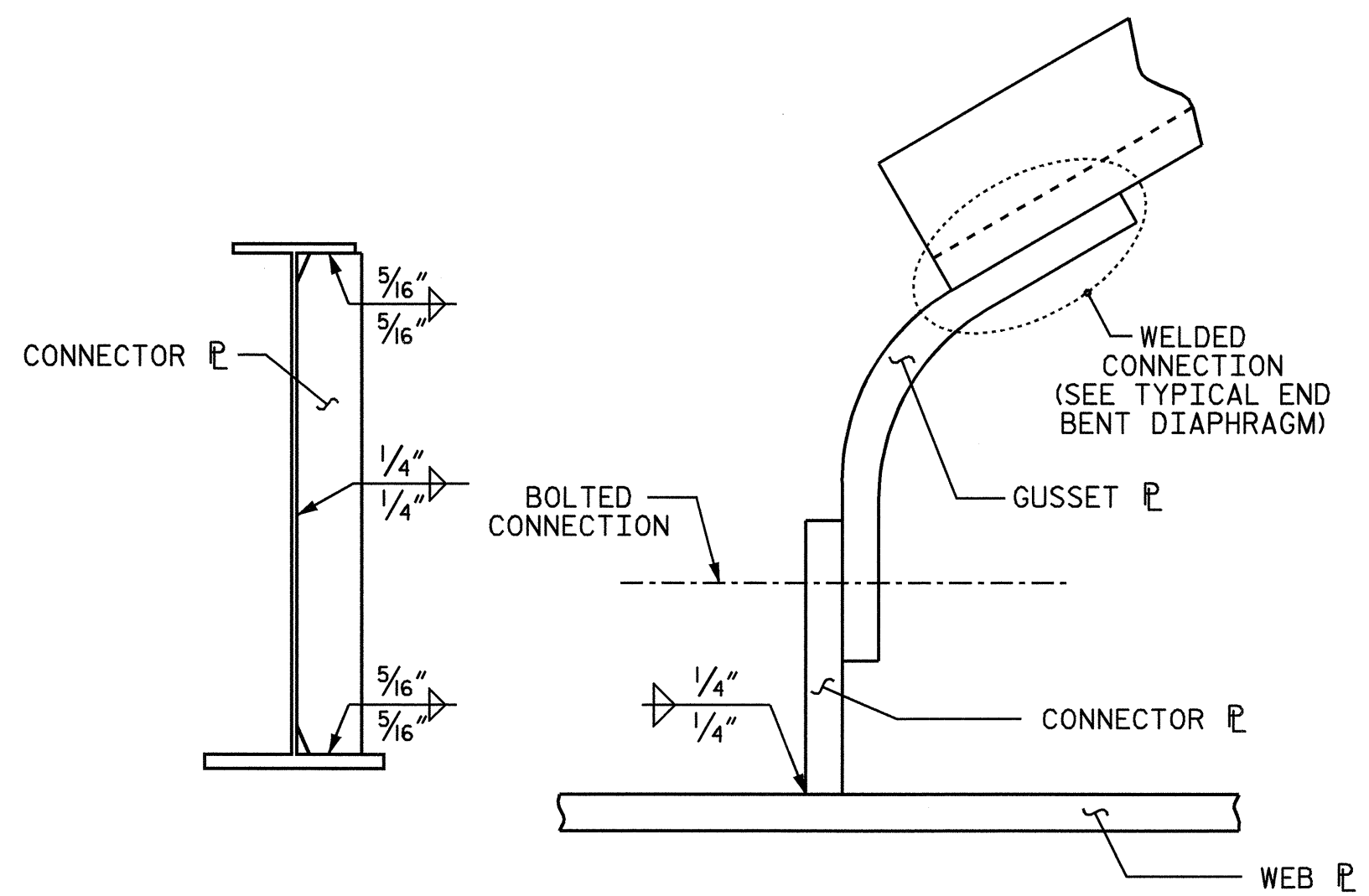


TYPICAL "TEE" TO GUSSET PLATE CONNECTION



TYPICAL STIFFENER OR CONNECTOR PLATE CONNECTIONS

WELD TERMINATION DETAILS



WELD DETAIL FOR CURVED GUSSET

PROJECT NO. R-2911D
ROWAN COUNTY
 STATION: 231+17.87 -L-
14+25.15 -Y8-
 SHEET 2 OF 3

STATE OF NORTH CAROLINA DEPARTMENT OF TRANSPORTATION RALEIGH					
SUPERSTRUCTURE					
STRUCTURAL STEEL DETAILS					
(RIGHT LANE)					
REVISIONS					
NO.	BY:	DATE:	NO.	BY:	DATE:
1			3		
2			4		
SHEET NO.					S-35
TOTAL SHEETS					120



DRAWN BY: M.K. BEARD DATE: 05/14/04
 CHECKED BY: J.P. ADAMS DATE: 05/25/04