

SUPERSTRUCTURE REINFORCING STEEL LENGTHS ARE BASED ON THE FOLLOWING MINIMUM SPLICE LENGTHS

BAR SIZE	SUPERSTRUCTURE EXCEPT APPROACH SLABS, PARAPET, AND BARRIER RAIL		APPROACH SLABS		PARAPET AND BARRIER RAIL
	EPOXY COATED	UNCOATED	EPOXY COATED	UNCOATED	
#4	2'-0"	1'-9"	2'-0"	1'-9"	2'-9"
#5	2'-6"	2'-2"	2'-6"	2'-2"	3'-5"
#6	3'-0"	2'-7"	3'-10"	2'-7"	4'-4"

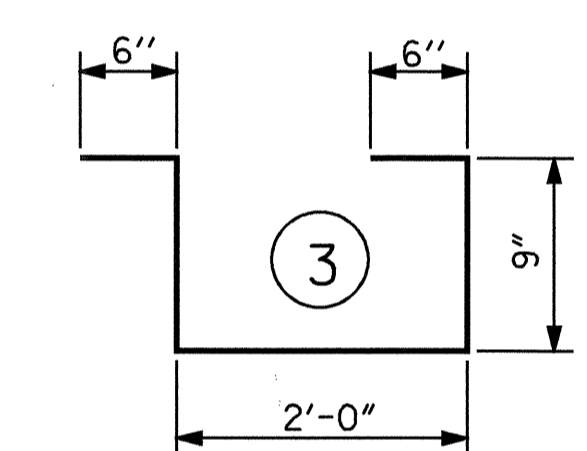
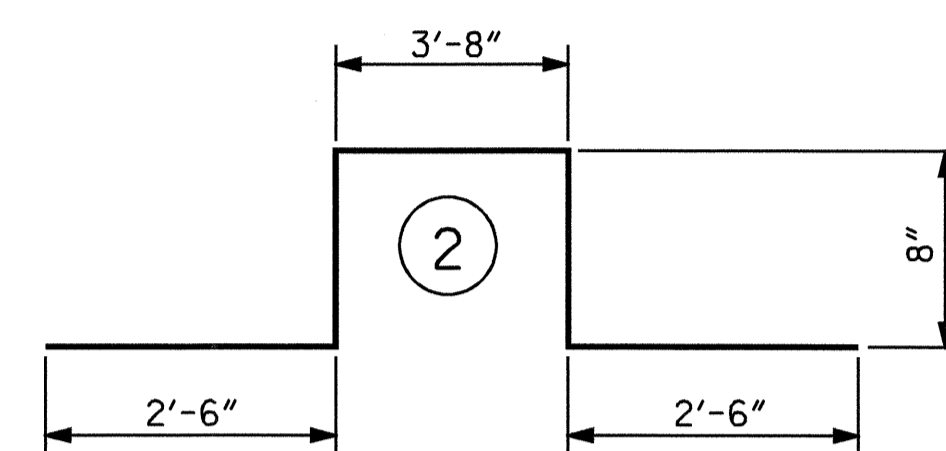
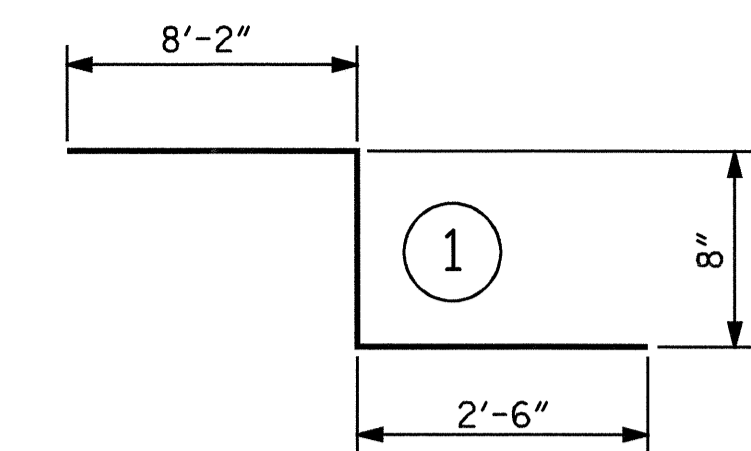
GROOVING BRIDGE FLOORS

BRIDGE DECK	5,445 SQ.FT.
APPROACH SLAB	2,834 SQ.FT.
TOTAL	8,279 SQ.FT.

BILL OF MATERIAL

BAR	NO.	SIZE	TYPE	LENGTH	WEIGHT	BAR	NO.	SIZE	TYPE	LENGTH	WEIGHT
*A1	180	#5	STR	38'-11"	7306	A205	6	#5	STR	33'- 3"	208
A2	180	#5	STR	38'-11"	7306	A206	6	#5	STR	32'- 1"	201
A3	6	#6	STR	21'-6"	194	A207	6	#5	STR	31'- 0"	194
						A208	6	#5	STR	29'-10"	187
*A101	6	#5	STR	37'- 9"	236	A209	6	#5	STR	28'- 9"	180
*A102	6	#5	STR	36'- 7"	229	A210	6	#5	STR	27'- 7"	173
*A103	6	#5	STR	35'- 6"	222	A211	6	#5	STR	26'- 6"	166
*A104	6	#5	STR	34'- 4"	215	A212	6	#5	STR	25'- 4"	159
*A105	6	#5	STR	33'- 3"	208	A213	6	#5	STR	24'- 2"	151
*A106	6	#5	STR	32'- 1"	201	A214	6	#5	STR	23'- 1"	144
*A107	6	#5	STR	31'- 0"	194	A215	6	#5	STR	21'-11"	137
*A108	6	#5	STR	29'-10"	187	A216	6	#5	STR	20'-10"	130
*A109	6	#5	STR	28'- 9"	180	A217	6	#5	STR	19'- 8"	123
*A110	6	#5	STR	27'- 7"	173	A218	6	#5	STR	18'- 7"	116
*A111	6	#5	STR	26'- 6"	166	A219	6	#5	STR	17'- 5"	109
*A112	6	#5	STR	25'- 4"	159	A220	6	#5	STR	16'- 4"	102
*A113	6	#5	STR	24'- 2"	151	A221	6	#5	STR	15'- 2"	95
*A114	6	#5	STR	23'- 1"	144	A222	6	#5	STR	14'- 1"	88
*A115	6	#5	STR	21'-11"	137	A223	6	#5	STR	12'-11"	81
*A116	6	#5	STR	20'-10"	130	A224	6	#5	STR	11'- 9"	74
*A117	6	#5	STR	19'- 8"	123	A225	6	#5	STR	10'- 8"	67
*A118	6	#5	STR	18'- 7"	116	A226	6	#5	STR	9'- 6"	59
*A119	6	#5	STR	17'- 5"	109	A227	6	#5	STR	8'- 5"	53
*A120	6	#5	STR	16'- 4"	102	A228	6	#5	STR	7'- 3"	45
*A121	6	#5	STR	15'- 2"	95	A229	6	#5	STR	6'- 2"	39
*A122	6	#5	STR	14'- 1"	88	A230	6	#5	STR	5'- 0"	31
*A123	6	#5	STR	12'-11"	81	A231	6	#5	STR	3'-11"	25
*A124	6	#5	STR	11'- 9"	74	A232	6	#5	STR	2'- 9"	17
*A125	6	#5	STR	10'- 8"	67	A233	6	#5	STR	1'- 8"	10
*A126	6	#5	STR	9'- 6"	59						
*A127	6	#5	STR	8'- 5"	53	*B1	168	#4	STR	30'- 0"	3367
*A128	6	#5	STR	7'- 3"	45	B2	120	#5	STR	58'- 3"	7291
*A129	6	#5	STR	6'- 2"	39						
*A130	6	#5	STR	5'- 0"	31	*G1	4	#5	STR	37'- 6"	156
*A131	6	#5	STR	3'-11"	25						
*A132	6	#5	STR	2'- 9"	17	*K1	12	#5	1	11'- 4"	142
*A133	6	#5	STR	1'- 8"	10	*K2	18	#5	2	10'- 0"	188
						*K3	24	#5	STR	14'- 0"	350
A201	6	#5	STR	37'- 9"	236						
A202	6	#5	STR	36'- 7"	229	*S1	88	#4	3	4'- 6"	265
A203	6	#5	STR	35'- 6"	222						
A204	6	#5	STR	34'- 4"	215						
REINFORCING STEEL = 18857 LBS.											
*EPOXY COATED REINF. STEEL = 15840 LBS.											

BAR TYPES

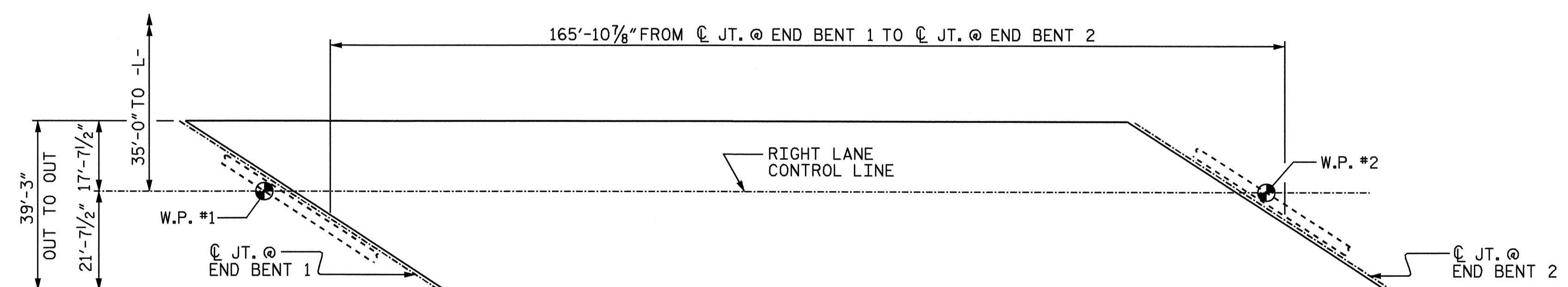


ALL BAR DIMENSIONS ARE OUT TO OUT

— SUPERSTRUCTURE BILL OF MATERIAL —

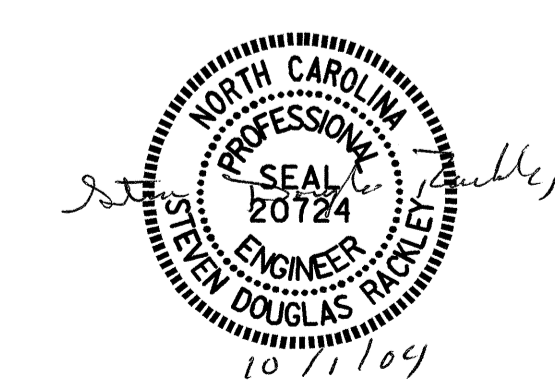
	CLASS AA CONCRETE	REINFORCING STEEL	EPOXY COATED REINFORCING STEEL
	(CU.YDS.)	(LBS.)	(LBS.)
TOTALS**	200.5	18,857	15,840

**QUANTITIES FOR BARRIER RAIL ARE NOT INCLUDED



LAYOUT FOR COMPUTING AREA OF REINFORCED CONCRETE DECK SLAB (SQ. FT. = 6,512)

PROJECT NO. R-2911D
 ROWAN COUNTY
 STATION: 231+17.87 -L-



STATE OF NORTH CAROLINA
 DEPARTMENT OF TRANSPORTATION
 RALEIGH
STANDARD SUPERSTRUCTURE BILL OF MATERIAL (RIGHT LANE)

REVISIONS						SHEET NO.
NO.	BY:	DATE:	NO.	BY:	DATE:	TOTAL SHEETS
1			3			40
2			4			120

ASSEMBLED BY : M.K. BEARD DATE :05/19/04
 CHECKED BY : J.P. ADAMS DATE :05/26/04
 DRAWN BY : JMB 5/87 REV. 6/1/94 EEM/GRP
 CHECKED BY : SJD 9/87 REV. 8/16/99 RWW/LES