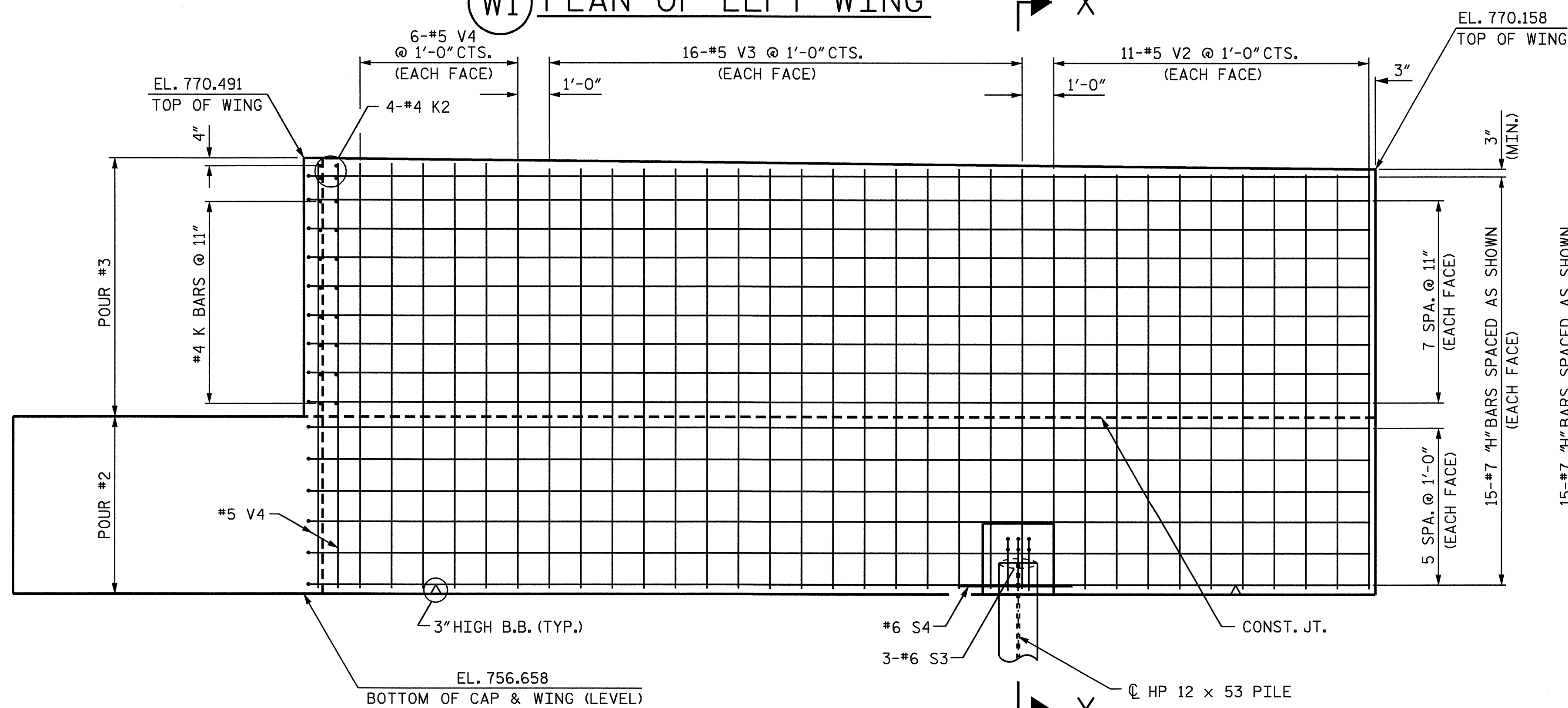
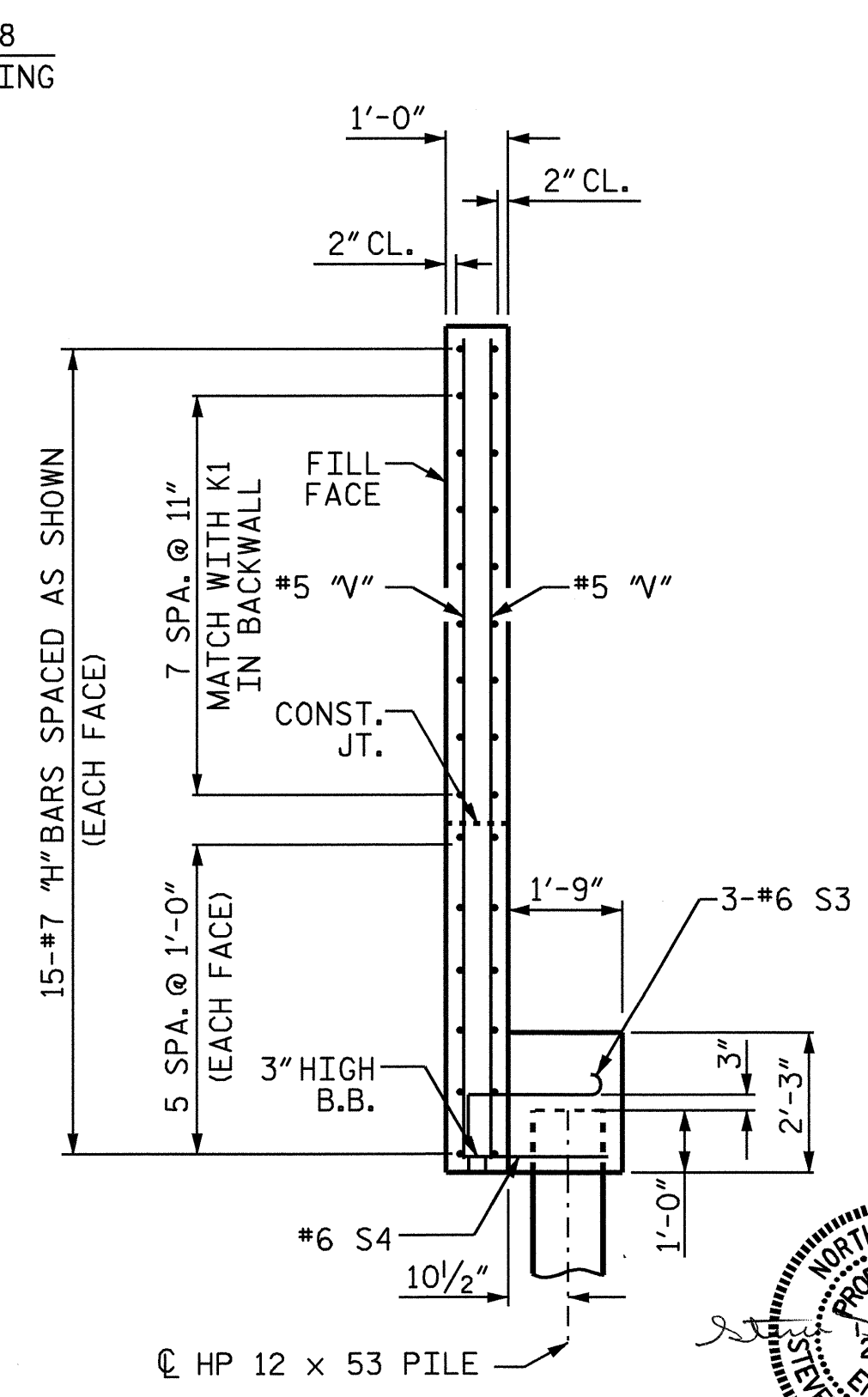


W1 PLAN OF LEFT WING → X



W1 ELEVATION OF LEFT WING → X



SECTION X-X

PROJECT NO. R-2911D
ROWAN COUNTY
 STATION: 231+17.87 -L-
14+25.15 -Y8-
 SHEET 2 OF 5

STATE OF NORTH CAROLINA
 DEPARTMENT OF TRANSPORTATION
 RALEIGH
 SUBSTRUCTURE
 END BENT #1
 RIGHT LANE
 WING (W1)

REVISIONS						SHEET NO.	
NO.	BY:	DATE:	NO.	BY:	DATE:	S-42	
1			3			TOTAL SHEETS 120	
2			4				

DRAWN BY : R. L. CHESSON DATE : 2004 AUG
 CHECKED BY : S. H. SOCKWELL DATE : 9/04

01-OCT-2004 11:57
 W:\squads\R2911D\FINAL_PLANS\STR2\R2911D_SD.E1.02.dgn
 srackley

