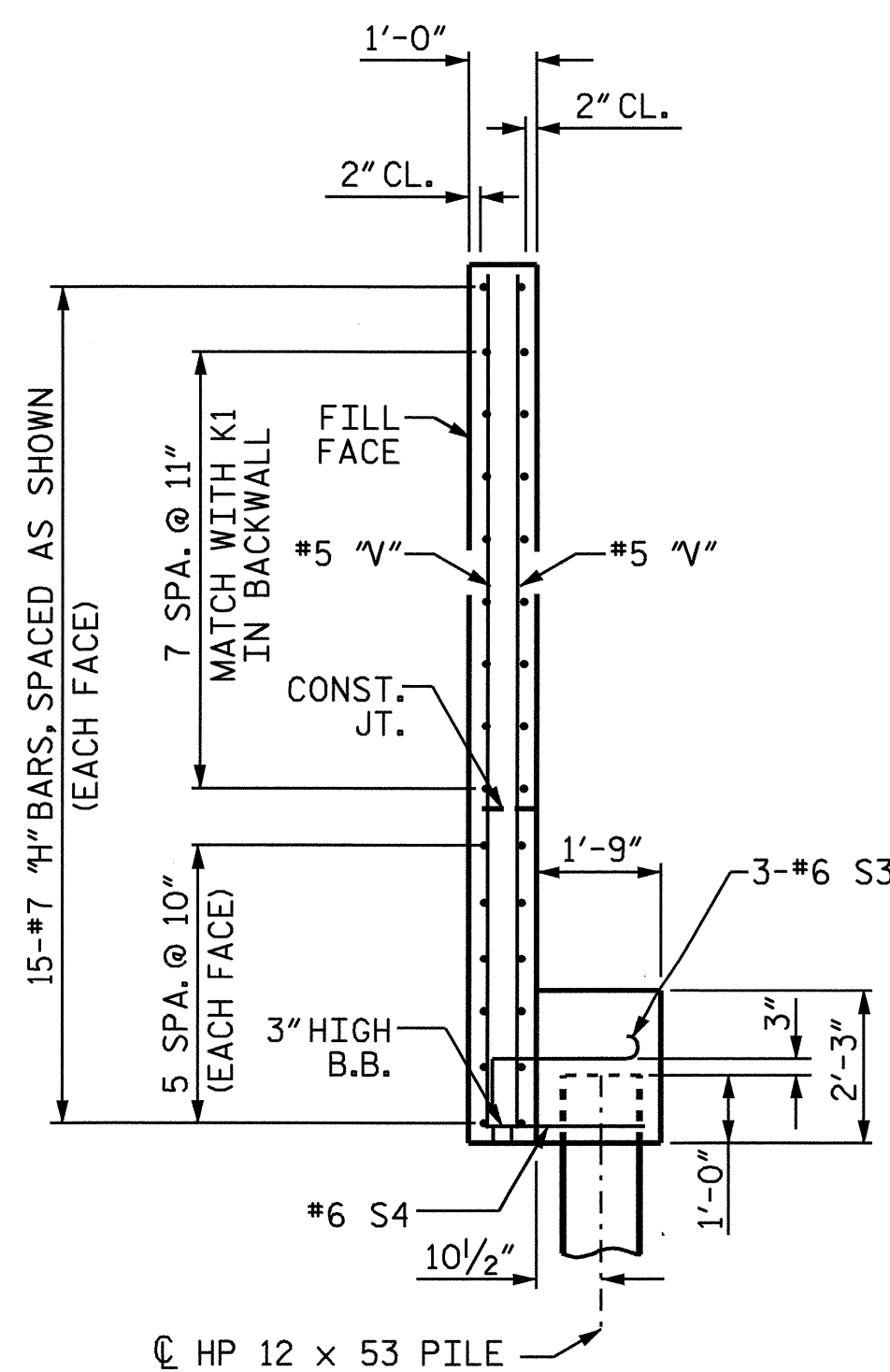
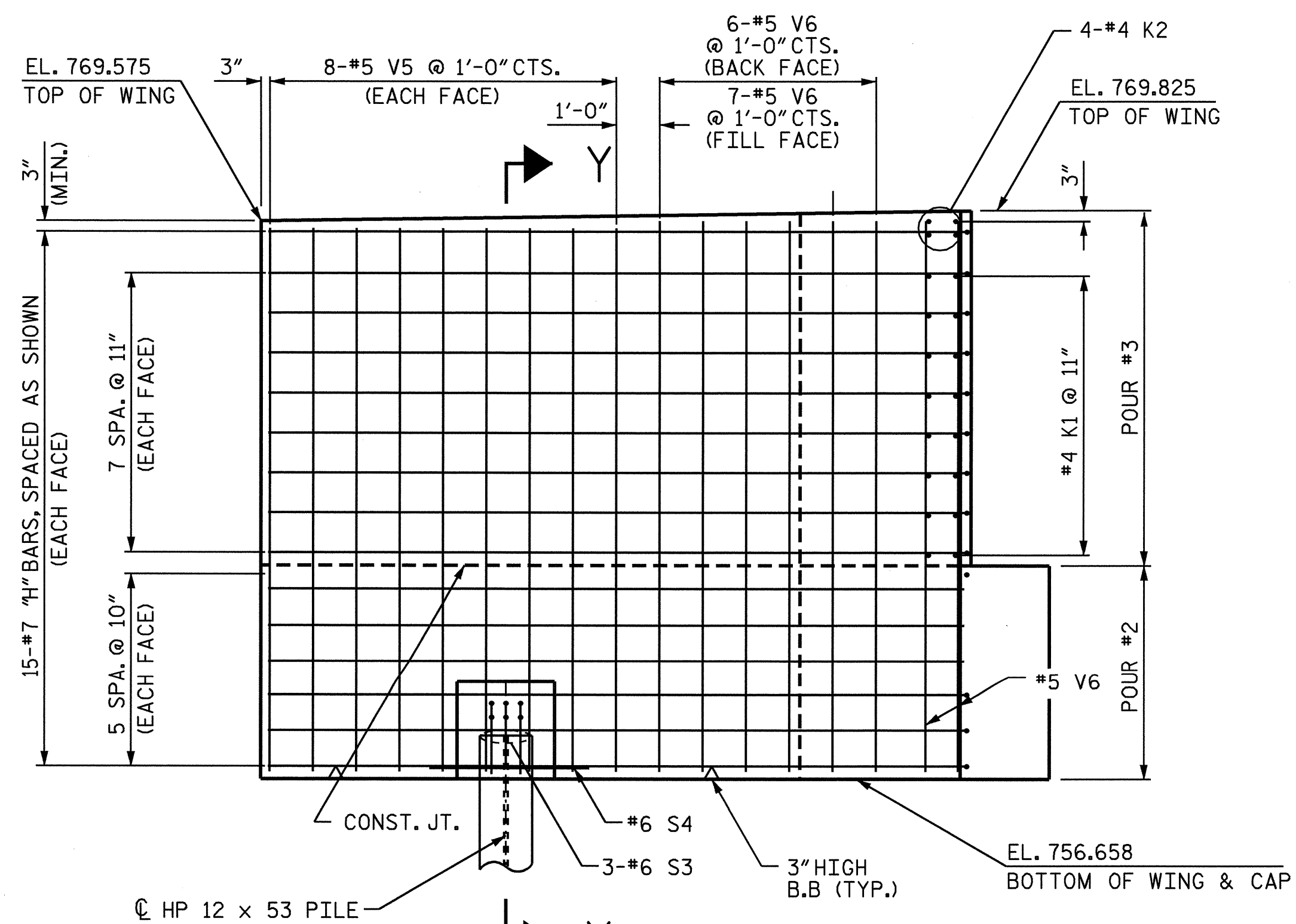


(W2) PLAN OF RIGHT WING



SECTION Y-Y



(W2) ELEVATION OF RIGHT WING

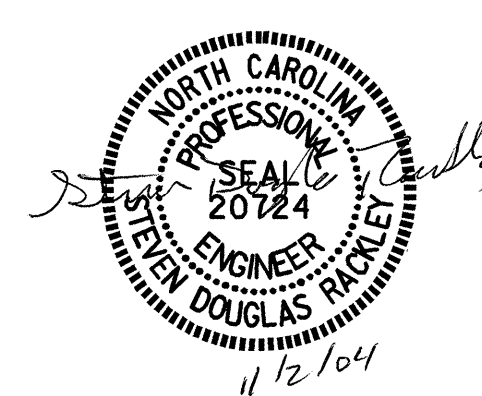
DRAWN BY : R. L. CHESSON DATE : 2004 AUG
 CHECKED BY : S. H. SOCKWELL DATE : 9/04

02-NOV-2004 15:39
 W:\squads\R2911D\FINAL.dwg\STR2\R2911D_SD_E1_02.dgn
 srackley

PROJECT NO. R-2911D
 ROWAN COUNTY
 STATION: 231+17.87 -L-
 14+25.15 -Y8-
 SHEET 3 OF 5

STATE OF NORTH CAROLINA
 DEPARTMENT OF TRANSPORTATION
 RALEIGH

SUBSTRUCTURE
 END BENT #1
 RIGHT LANE
 WING (W2)



REVISIONS						SHEET NO.
NO.	BY:	DATE:	NO.	BY:	DATE:	S-43
1			3			TOTAL SHEETS
2			4			120