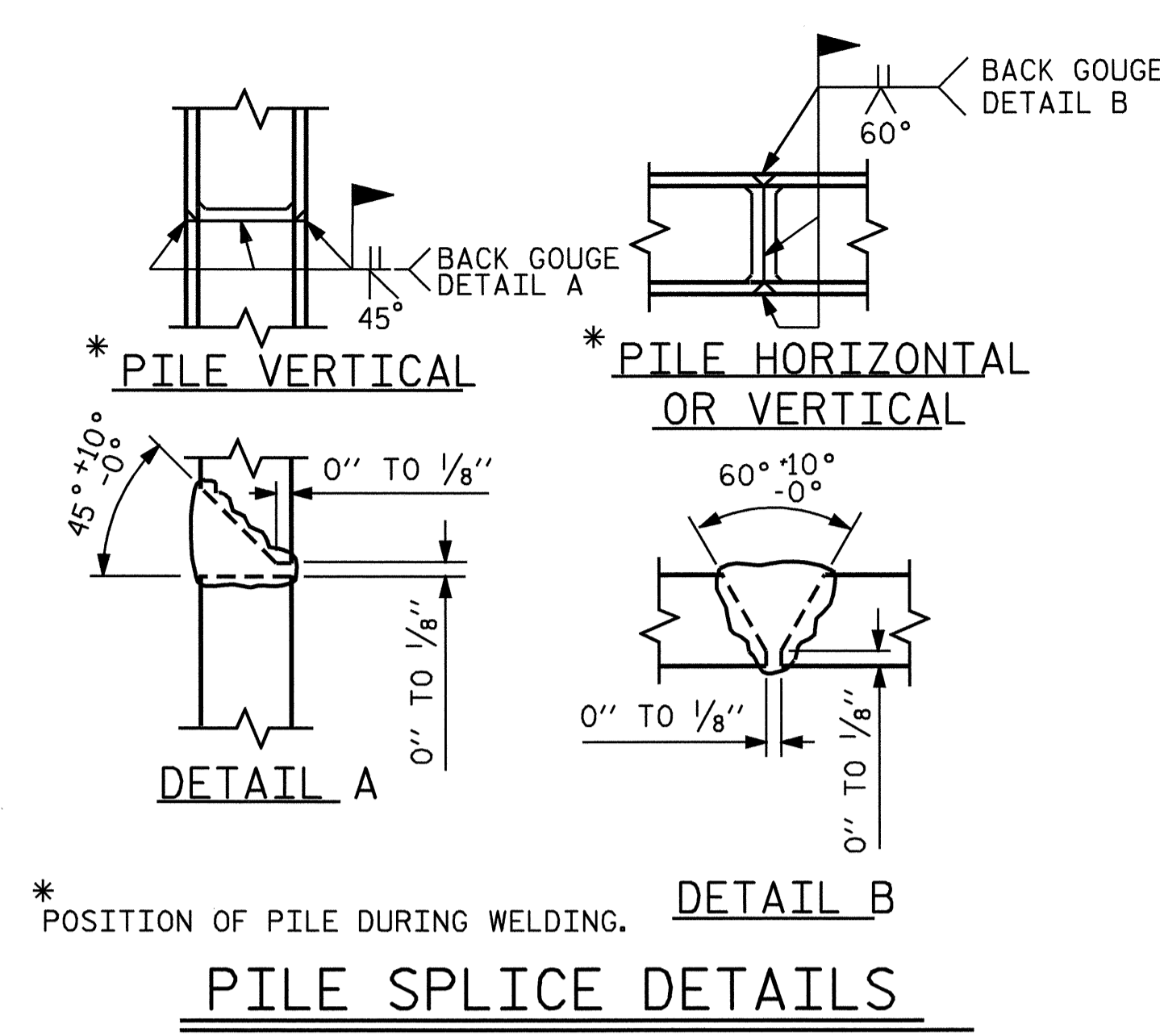
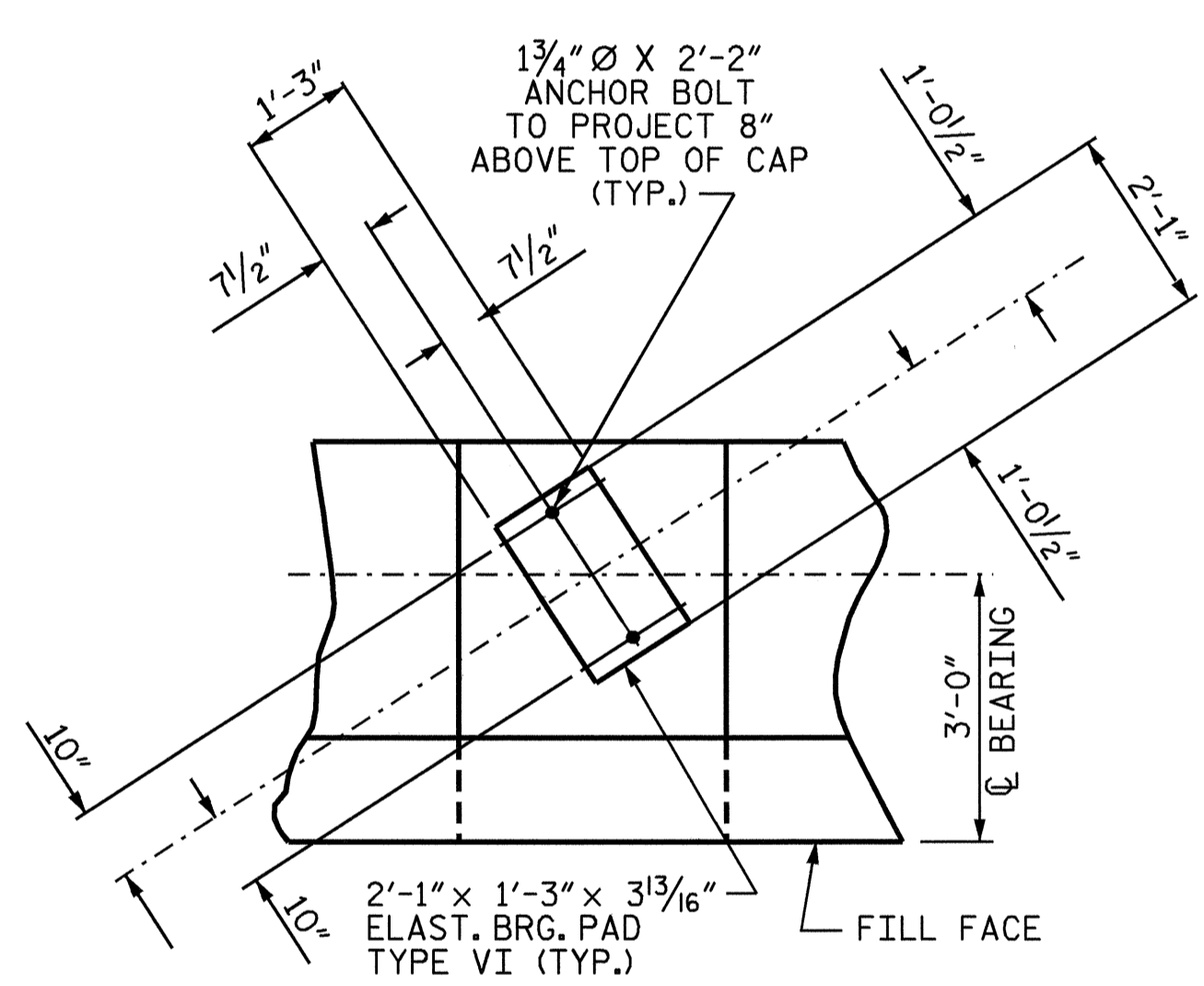


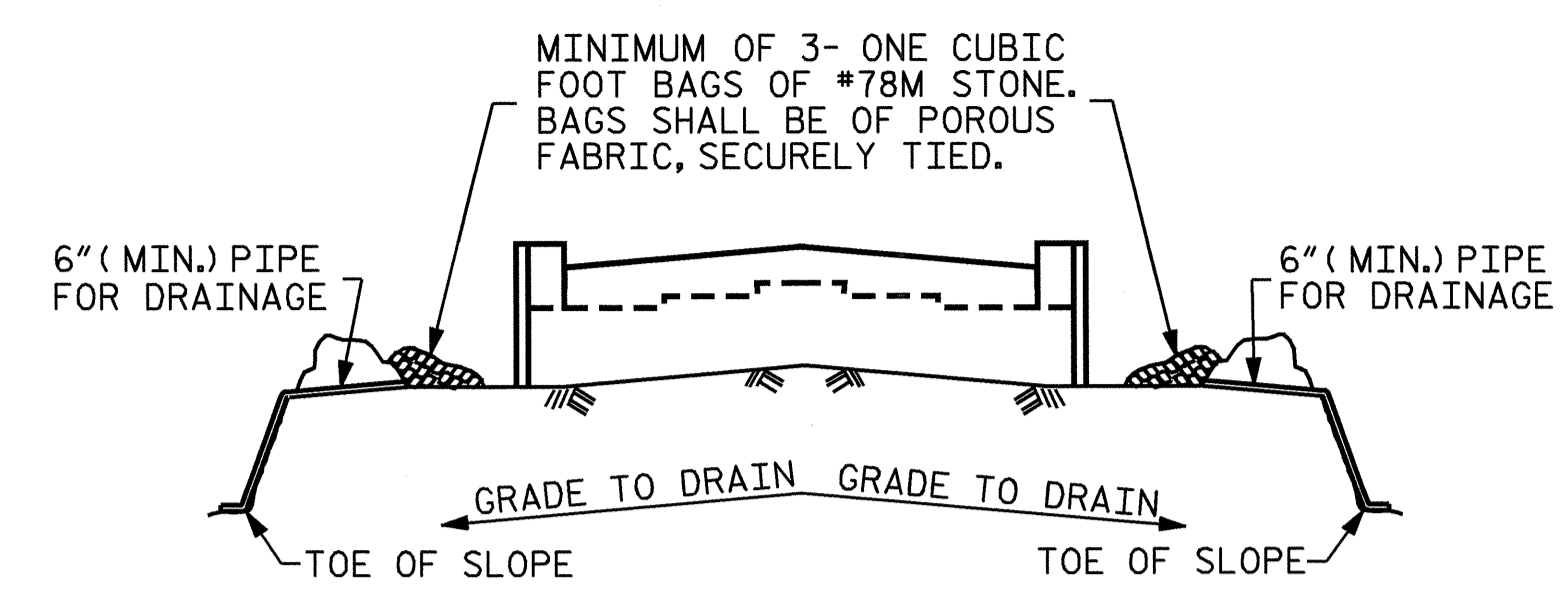
ELEVATION VIEW



PILE SPLICE DETAILS



DETAIL "B"

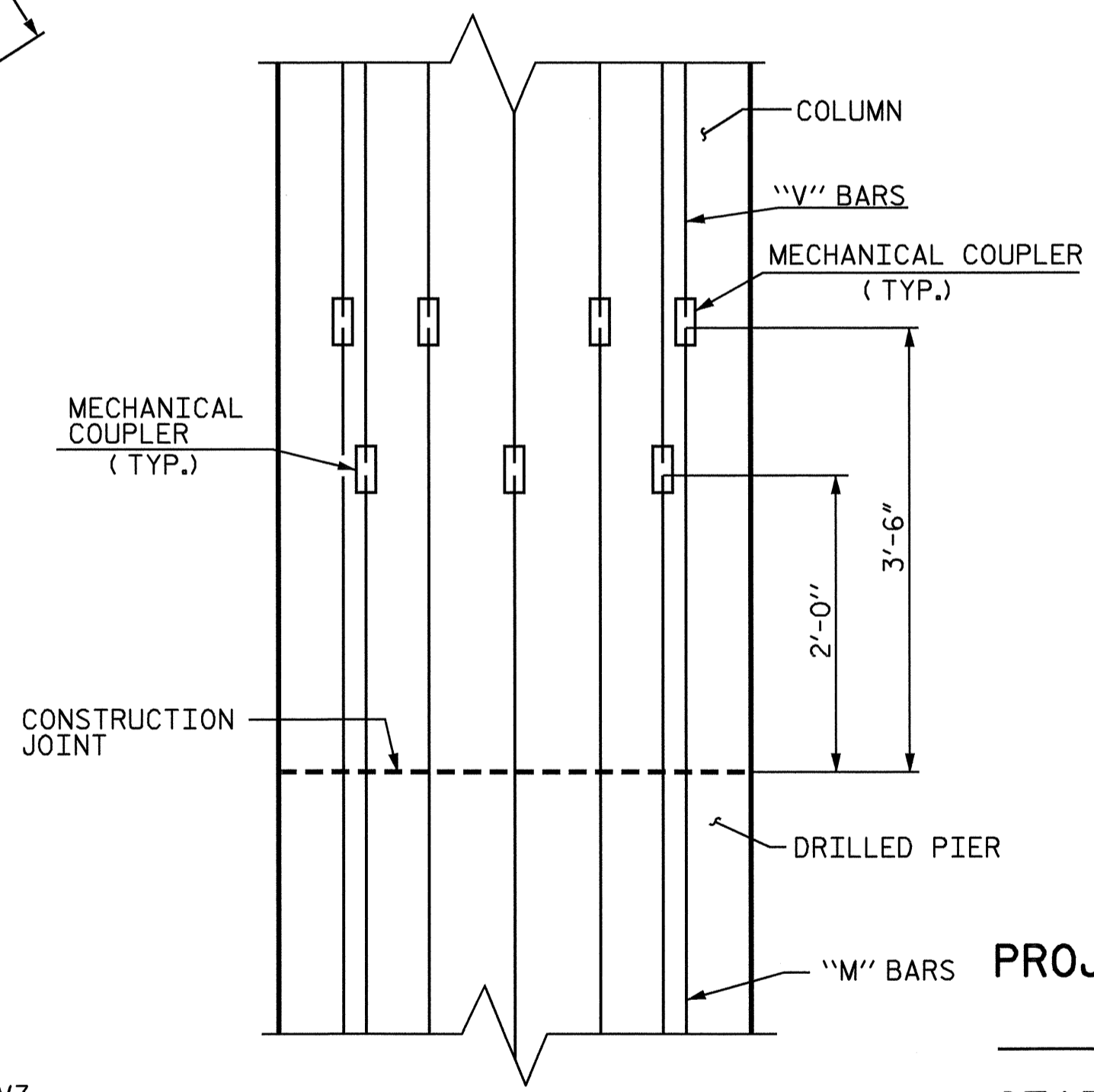


BAGGED STONE AND PIPE SHALL BE PLACED IMMEDIATELY AFTER COMPLETION OF END BENT EXCAVATION. PIPE MAY BE EITHER CONCRETE, CORRUGATED STEEL, CORRUGATED ALUMINUM ALLOY, OR CORRUGATED PLASTIC. PERFORATED PIPE WILL NOT BE ALLOWED.

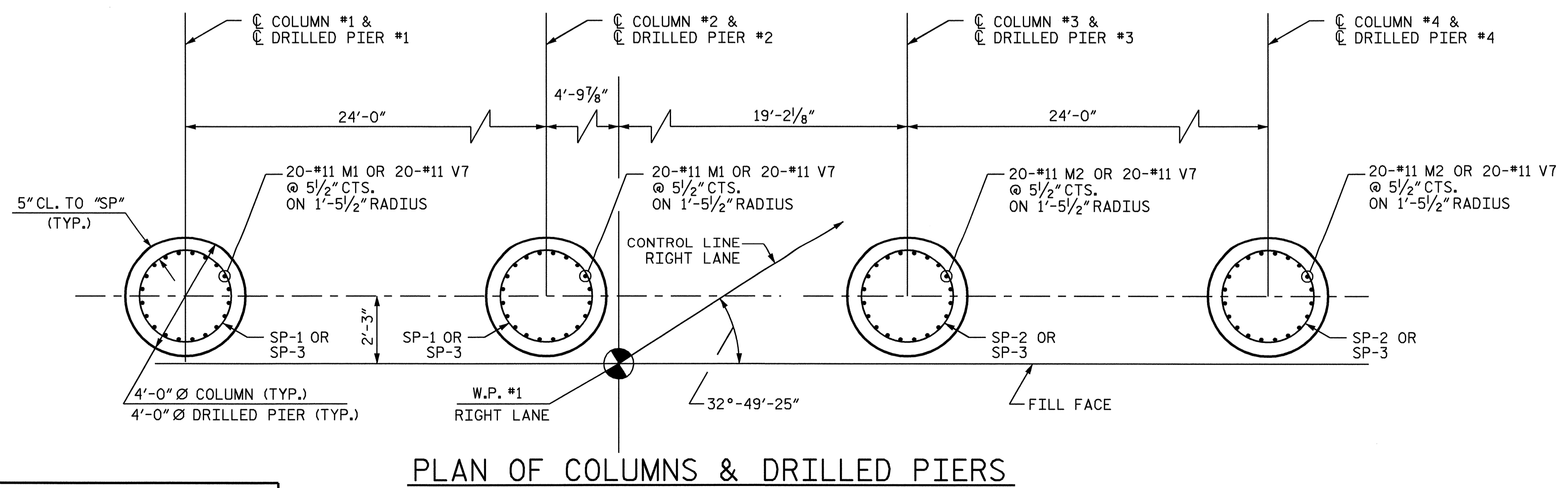
BAGGED STONE SHALL REMAIN IN PLACE UNTIL THE ENGINEER DIRECTS THAT IT BE REMOVED. THE CONTRACTOR SHALL REMOVE AND DISPOSE OF SILT ACCUMULATIONS AT BAGGED STONE WHEN SO DIRECTED BY THE ENGINEER. BAGS SHALL BE REMOVED AND REPLACED WHENEVER THE ENGINEER DETERMINES THAT THEY HAVE DETERIORATED AND LOST THEIR EFFECTIVENESS.

NO SEPARATE PAYMENT WILL BE MADE FOR THIS WORK AND THE ENTIRE COST OF THIS WORK SHALL BE INCLUDED IN THE UNIT CONTRACT PRICE BID FOR THE SEVERAL PAY ITEMS.

TEMPORARY DRAINAGE AT END BENT



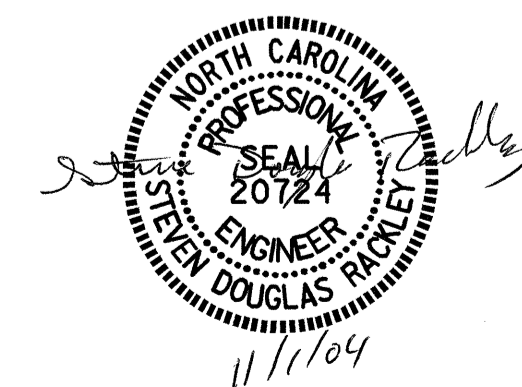
MECHANICAL COUPLER STAGGER DETAIL



PLAN OF COLUMNS & DRILLED PIERS

PROJECT NO. R-2911D
ROWAN COUNTY
 STATION: 231+17.87 -L-
14+25.15 -V8-
 SHEET 5 OF 5

STATE OF NORTH CAROLINA
 DEPARTMENT OF TRANSPORTATION
 RALEIGH
 SUBSTRUCTURE
 END BENT #1
 RIGHT LANE



DRAWN BY : R. L. CHESSON DATE : 2004 AUG
 CHECKED BY : S. H. SOCKWELL DATE : 9/04

REVISIONS						SHEET NO. S-45
NO.	BY:	DATE:	NO.	BY:	DATE:	
1			3			TOTAL SHEETS 120
2			4			