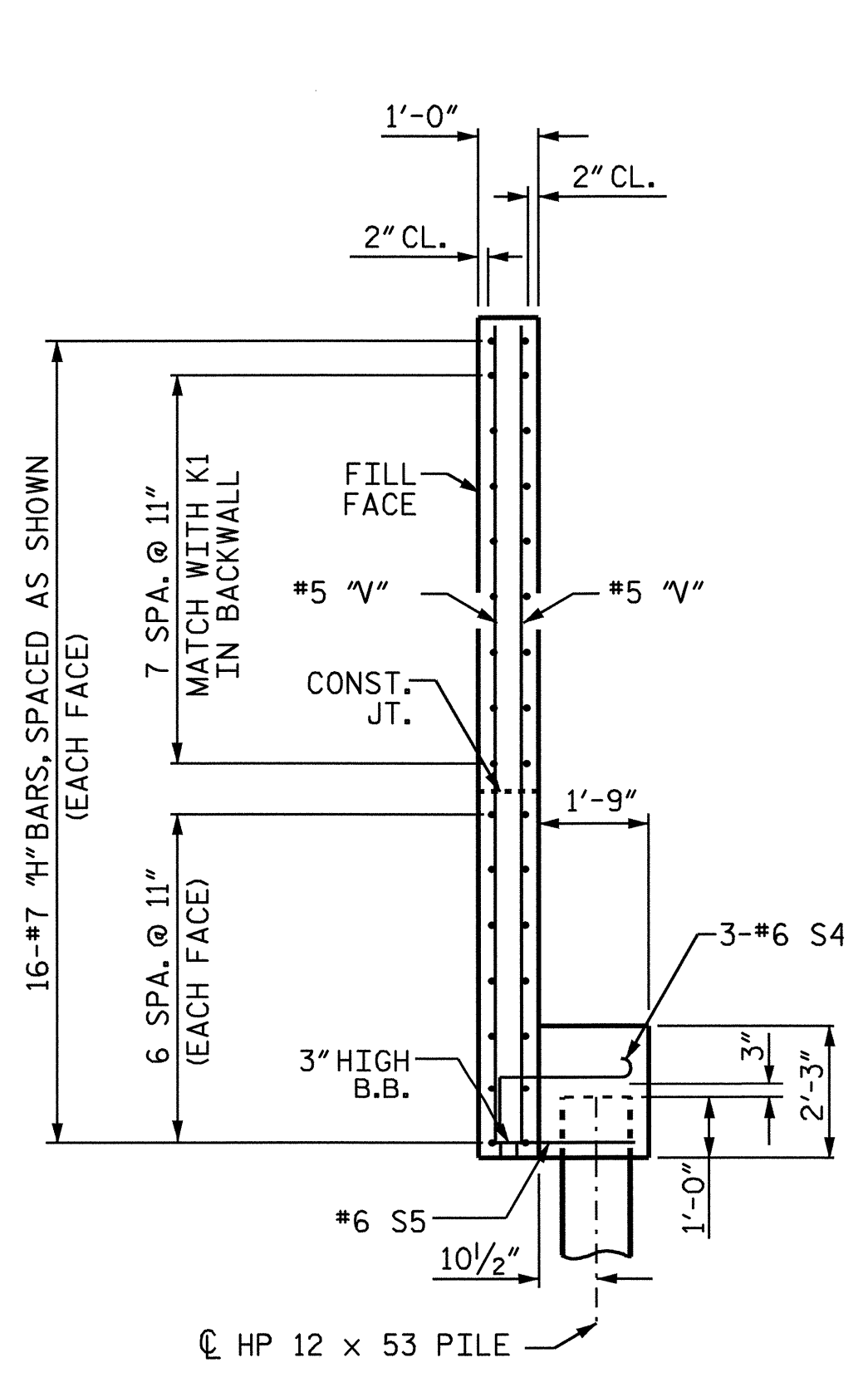
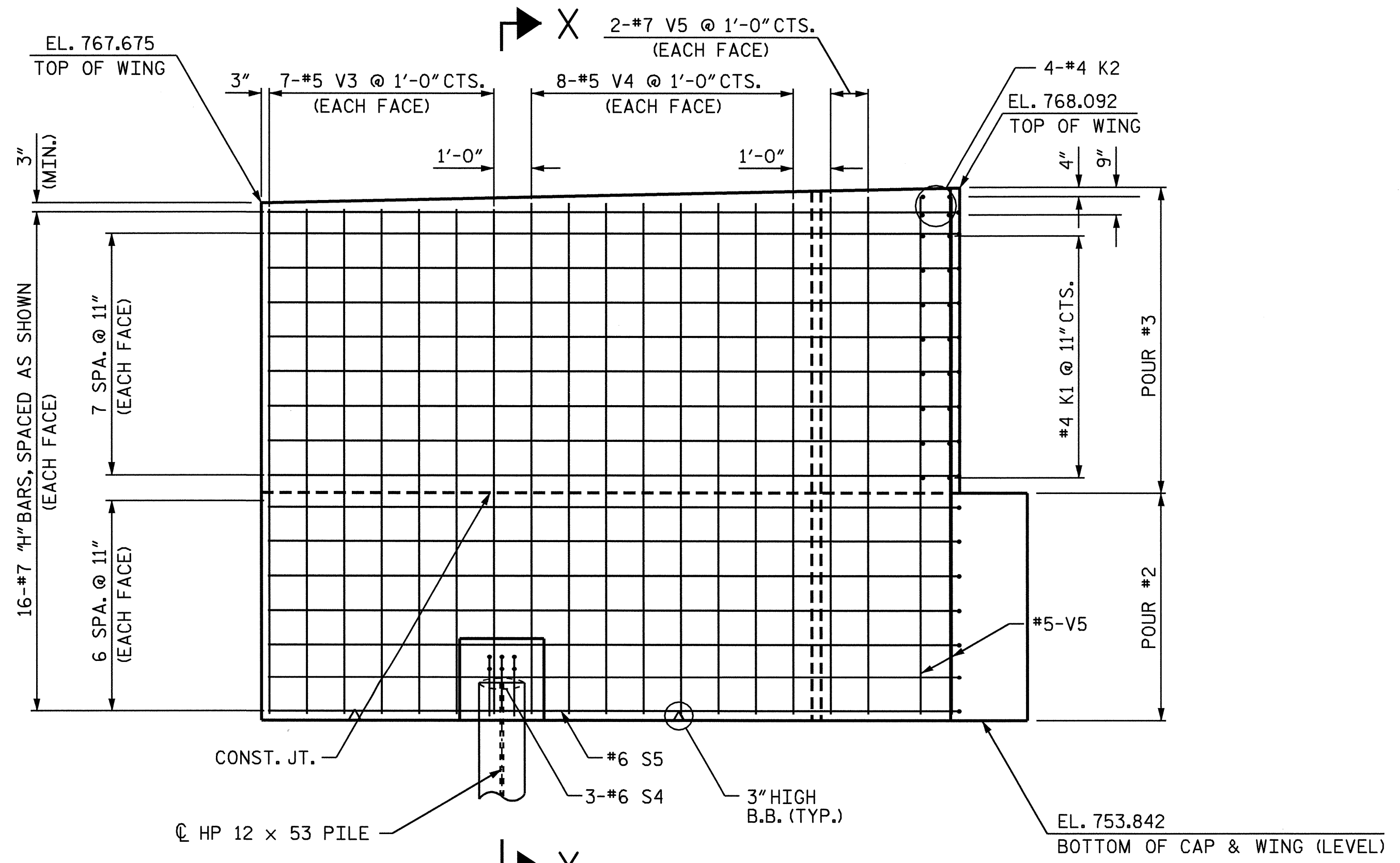


W3 PLAN OF LEFT WING



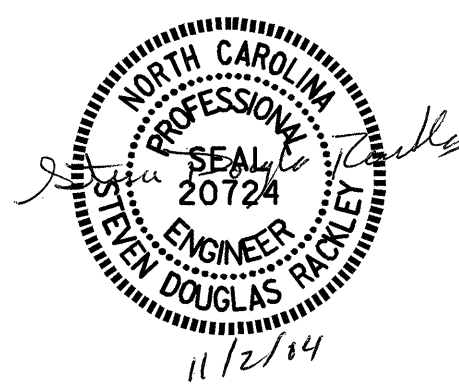
SECTION X-X



W3 ELEVATION OF RIGHT WING

PROJECT NO. R-2911D
 ROWAN COUNTY
 STATION: 231+17.87 -L-
 14+25.15 -Y8-
 SHEET 2 OF 5

STATE OF NORTH CAROLINA
 DEPARTMENT OF TRANSPORTATION
 RALEIGH
 SUBSTRUCTURE
 END BENT #2
 RIGHT LANE
 WING W3



REVISIONS						SHEET NO.	
NO.	BY:	DATE:	NO.	BY:	DATE:	S-47	
1			3			TOTAL SHEETS	
2			4			120	

DRAWN BY: R. L. CHESSON DATE: 2004 AUG
 CHECKED BY: S. H. SOCKWELL DATE: 9/04

02-NOV-2004 15:34
 W:\squad\2911D\FINAL\21\STR2\R2911D.S0.E2.02.dgn
 srackley