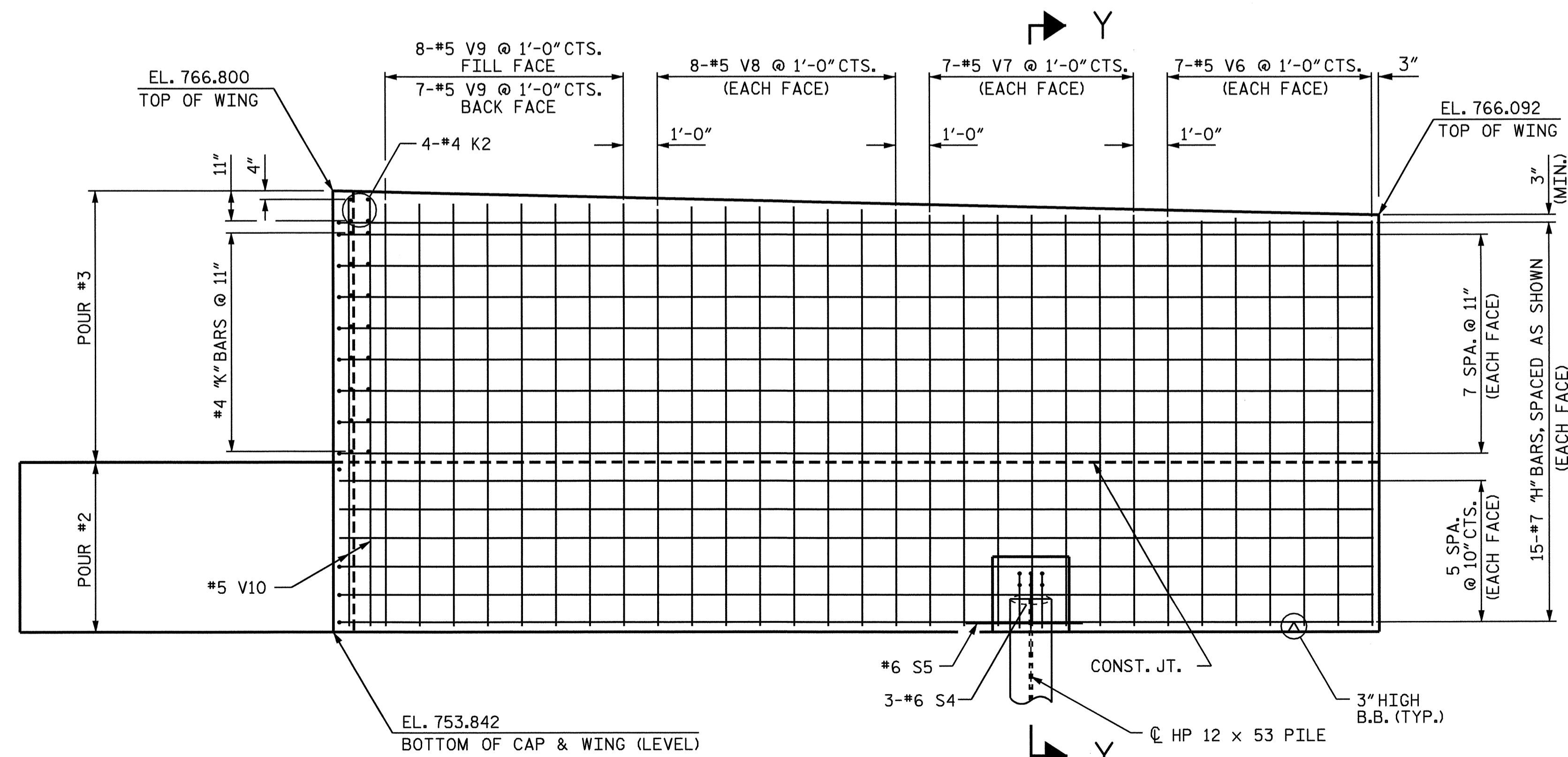
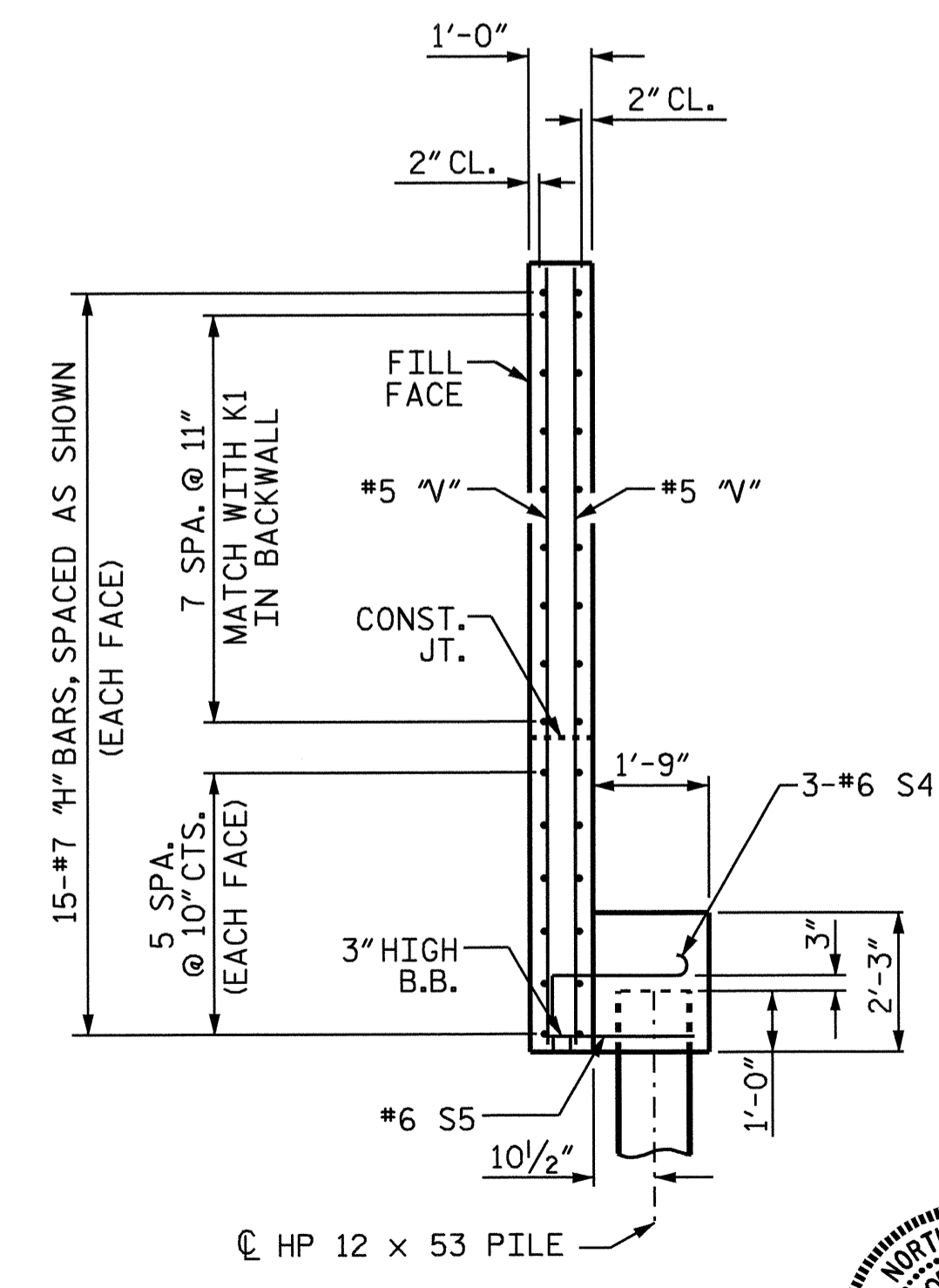


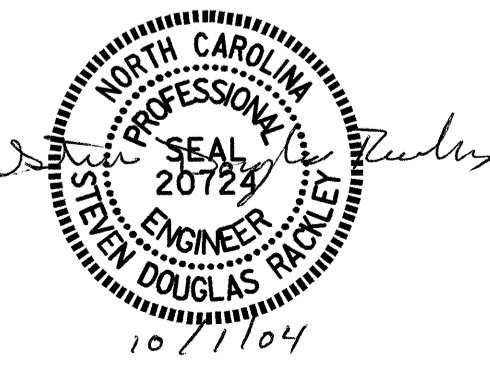
(W4) PLAN OF RIGHT WING



(W4) ELEVATION OF RIGHT WING



SECTION Y-Y



PROJECT NO. R-2911D  
 ROWAN COUNTY  
 STATION: 231+17.87 -L-  
 14+25.15 -Y8-  
 SHEET 3 OF 5

STATE OF NORTH CAROLINA  
 DEPARTMENT OF TRANSPORTATION  
 RALEIGH  
 SUBSTRUCTURE  
 END BENT #2  
 RIGHT LANE  
 WING (W4)

REVISIONS						SHEET NO.	
NO.	BY:	DATE:	NO.	BY:	DATE:	S-48	
1			3			TOTAL SHEETS	120
2			4				

DRAWN BY : R. L. CHESSON DATE : 2004 AUG  
 CHECKED BY : S. H. SOCKWELL DATE : 9/04

01-OCT-2004 11:58  
 W:\sq\acds\R2911D\FINAL\_PLANS\STR2\R2911D\_SD\_E2\_02.dgn  
 srackley