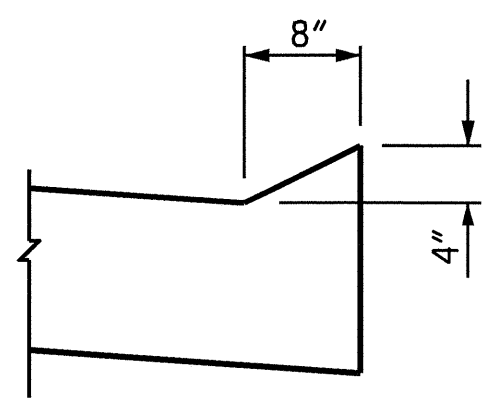
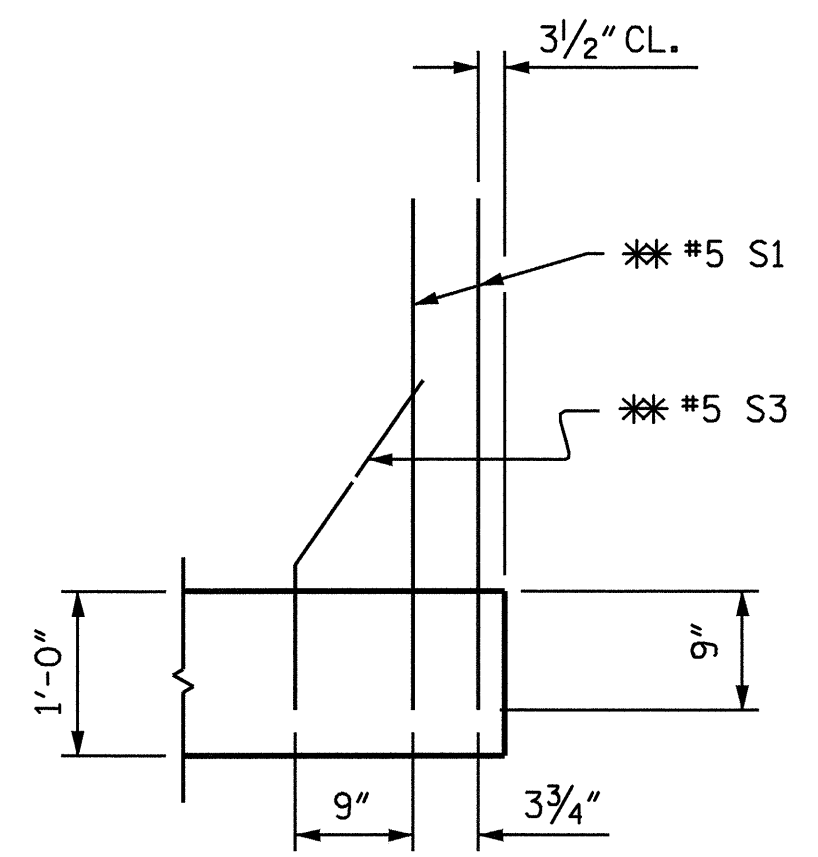


PLAN AT END BENT 1

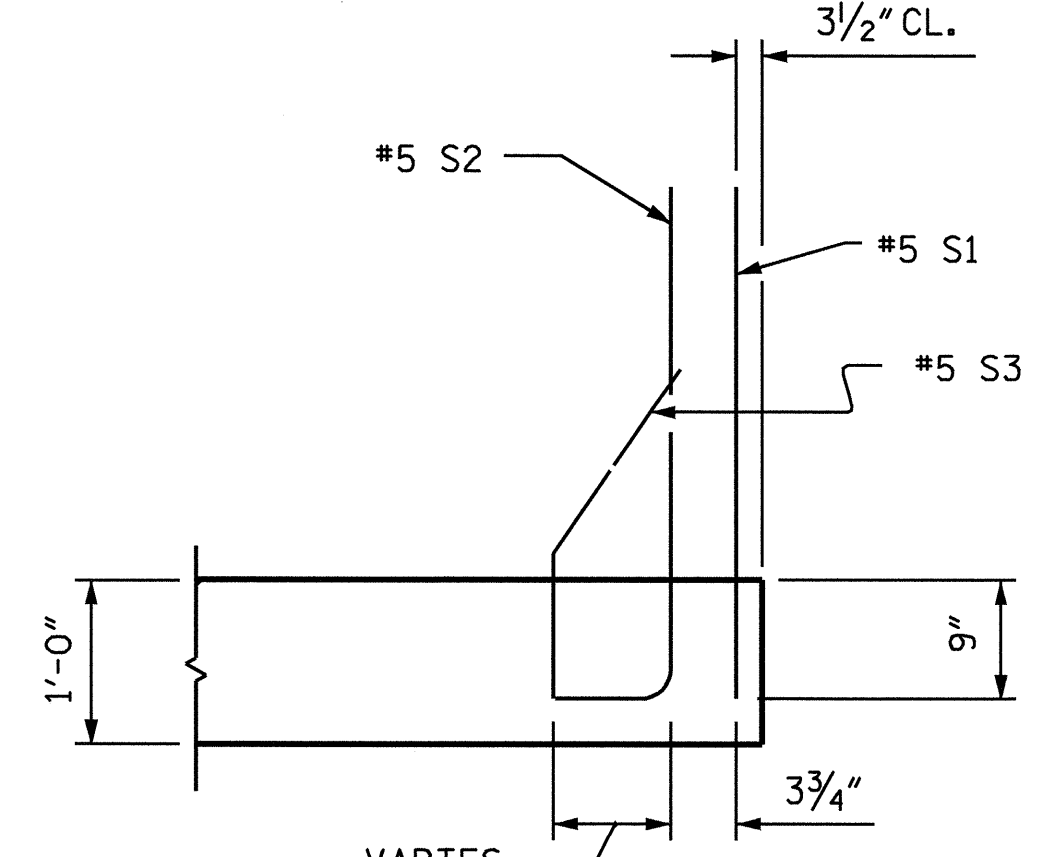
PLAN AT END BENT 2



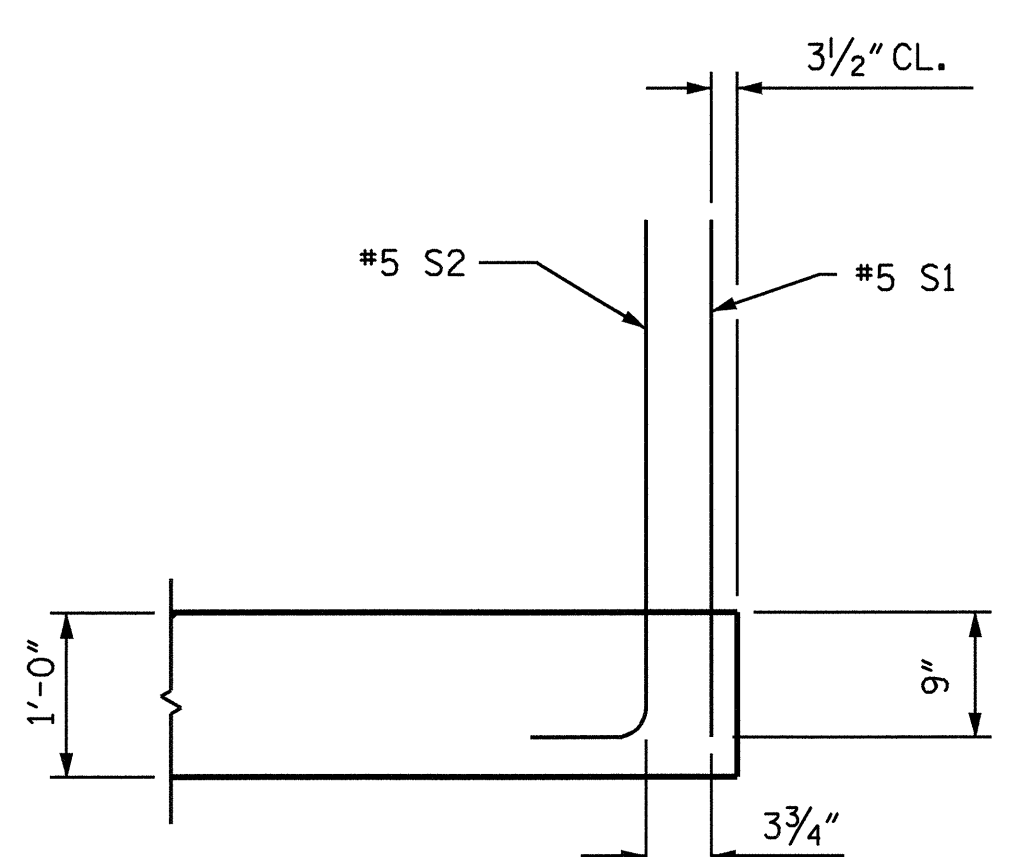
SECTION N-N



SECTION K-K
** ADHESIVELY ANCHORED



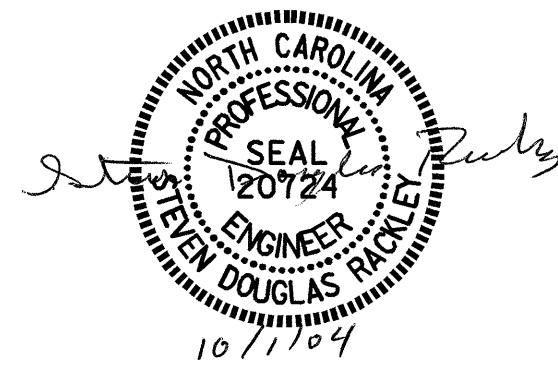
SECTION L-L



SECTION M-M

PROJECT NO. R-2911D
 ROWAN COUNTY
 STATION: 231+17.87 -L-
 14+25.15 -Y8-
 SHEET 1 OF 4

STATE OF NORTH CAROLINA
 DEPARTMENT OF TRANSPORTATION
 RALEIGH
 BRIDGE APPROACH
 SLAB FOR FLEXIBLE
 PAVEMENT
 WITH BARRIER RAIL
 (RIGHT LANE)



REVISIONS						SHEET NO.	
NO.	BY:	DATE:	NO.	BY:	DATE:	S-51	
1			3			TOTAL SHEETS 120	
2			4				

DRAWN BY: A. CHAN DATE: 5/11/04
 CHECKED BY: A. K. PATEL DATE: 5/14/04