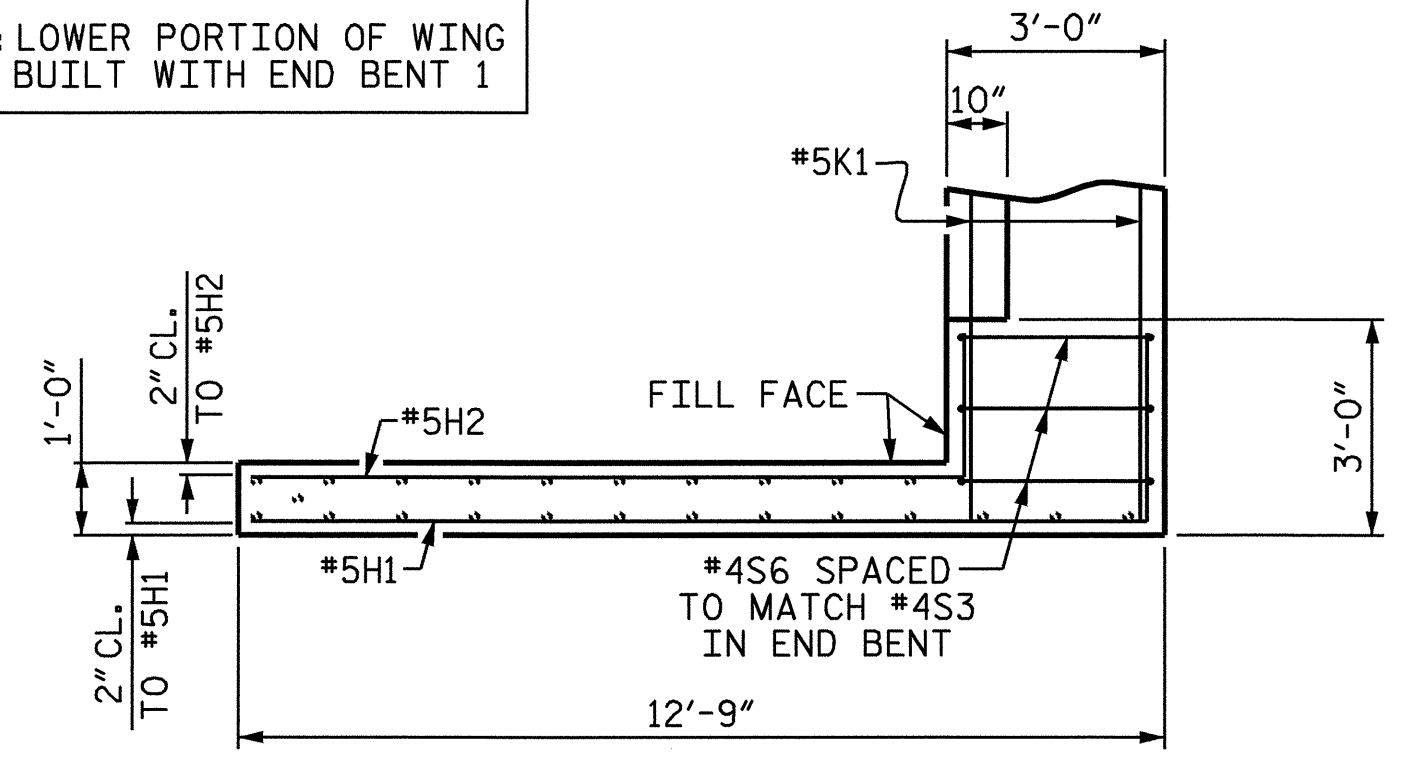


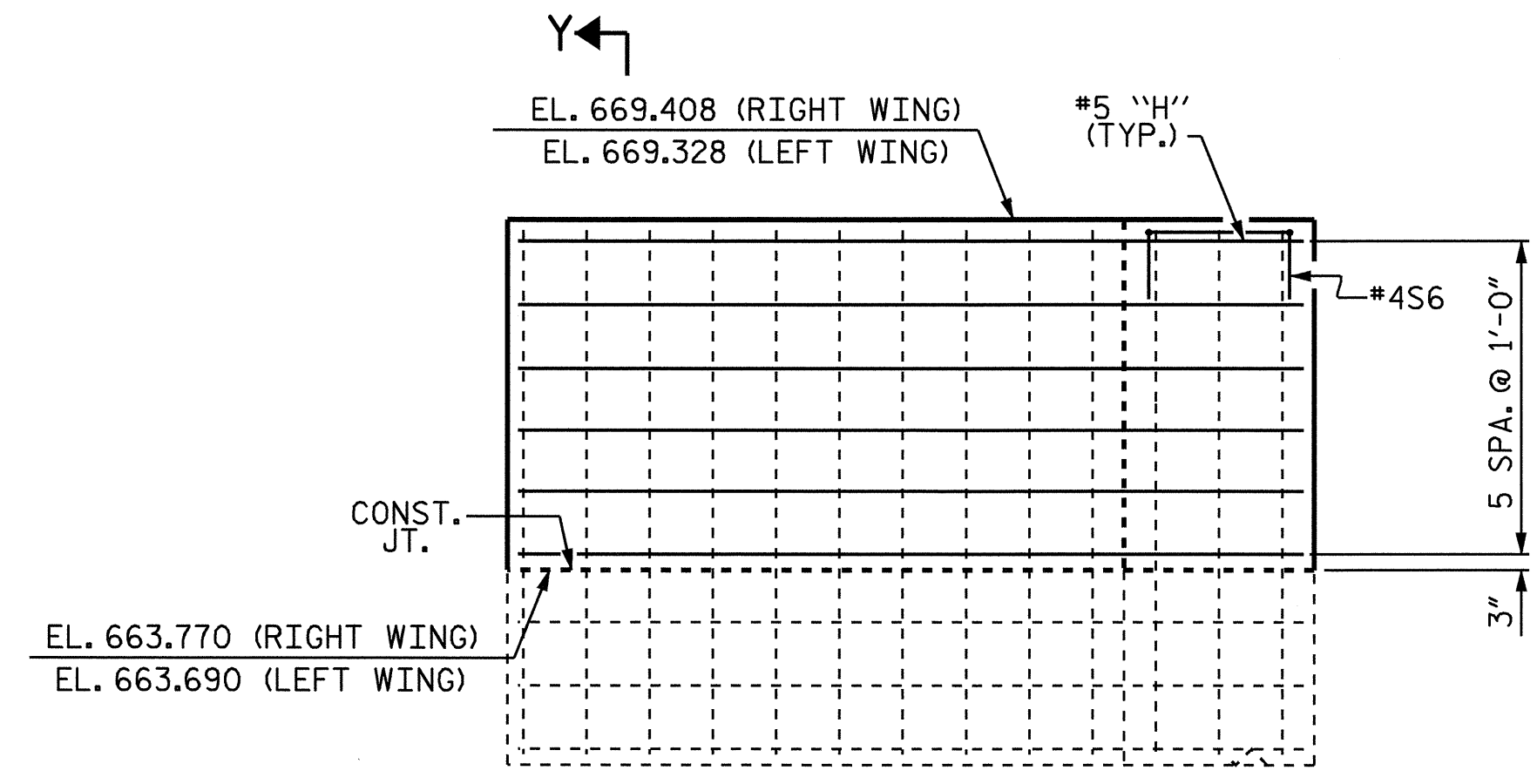
PLAN OF SPAN A

PARTIAL PLAN OF SPAN B

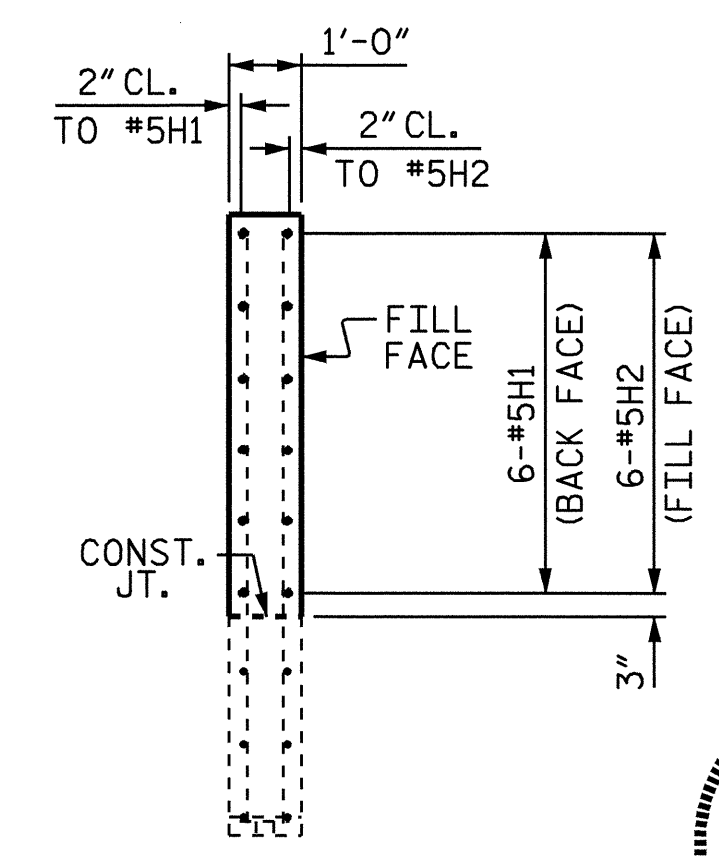
NOTE: LOWER PORTION OF WING BUILT WITH END BENT 1



PLAN OF WING (W1)



ELEVATION OF WING (W1)



SECTION Y-Y



PROJECT NO. R-2911D
 ROWAN COUNTY
 STATION: 304+22.00-L-

SHEET 1 OF 2

STATE OF NORTH CAROLINA DEPARTMENT OF TRANSPORTATION RALEIGH					
SUPERSTRUCTURE PLAN OF SPANS (LEFT LANE)					
REVISIONS					
NO.	BY:	DATE:	NO.	BY:	DATE:
1			3		
2			4		
SHEET NO. S-60					TOTAL SHEETS 120

DRAWN BY: S.H. SOCKWELL DATE: 4/04
 CHECKED BY: K.D. LAYNE DATE: 5/04