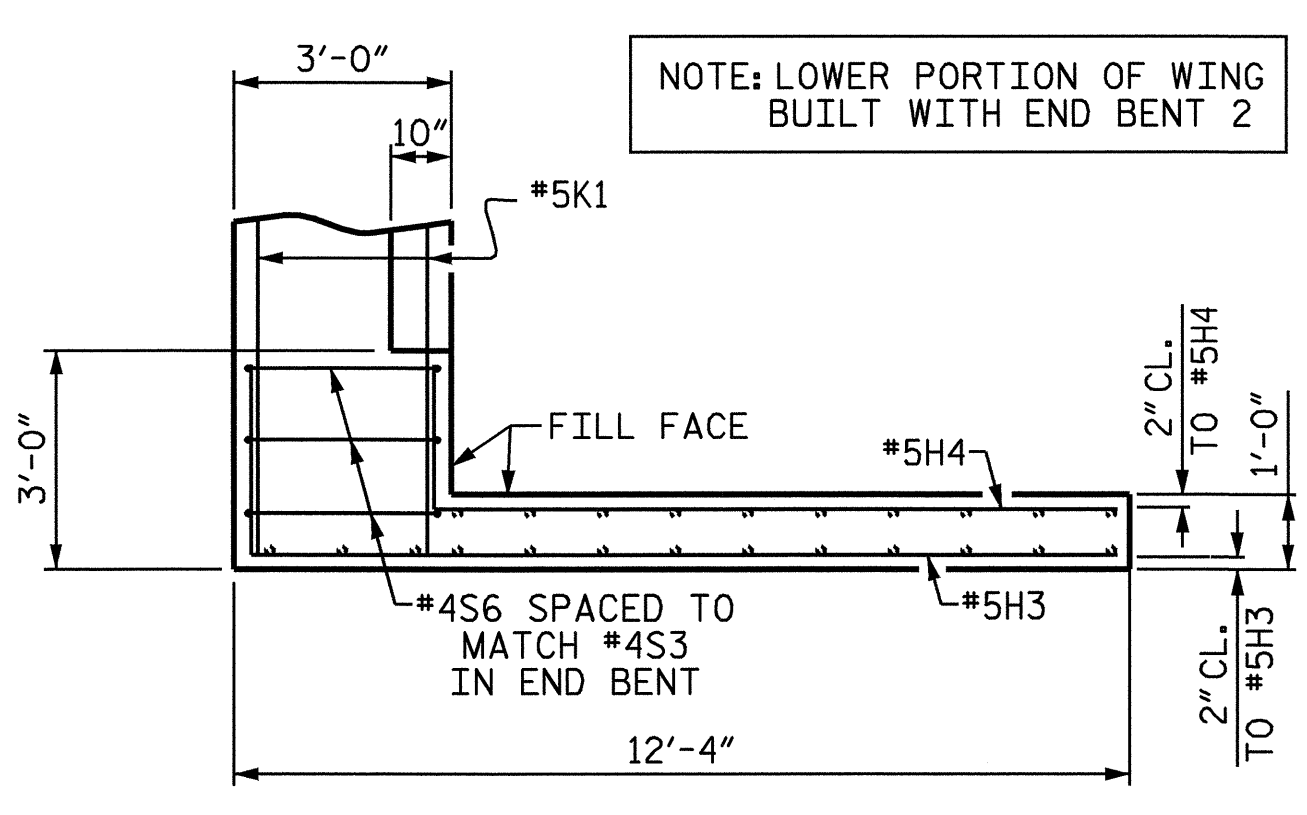
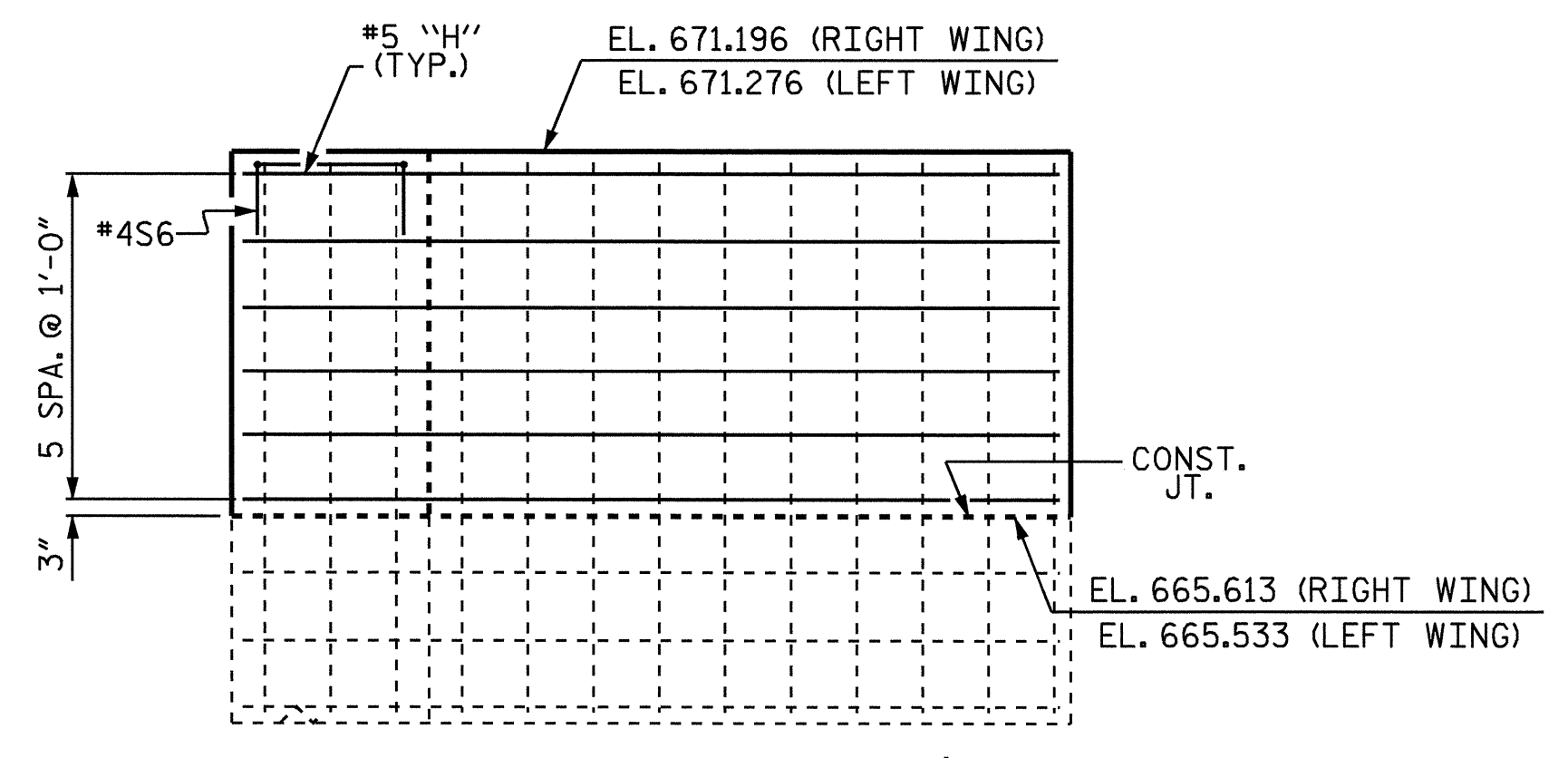


PARTIAL PLAN OF SPAN B

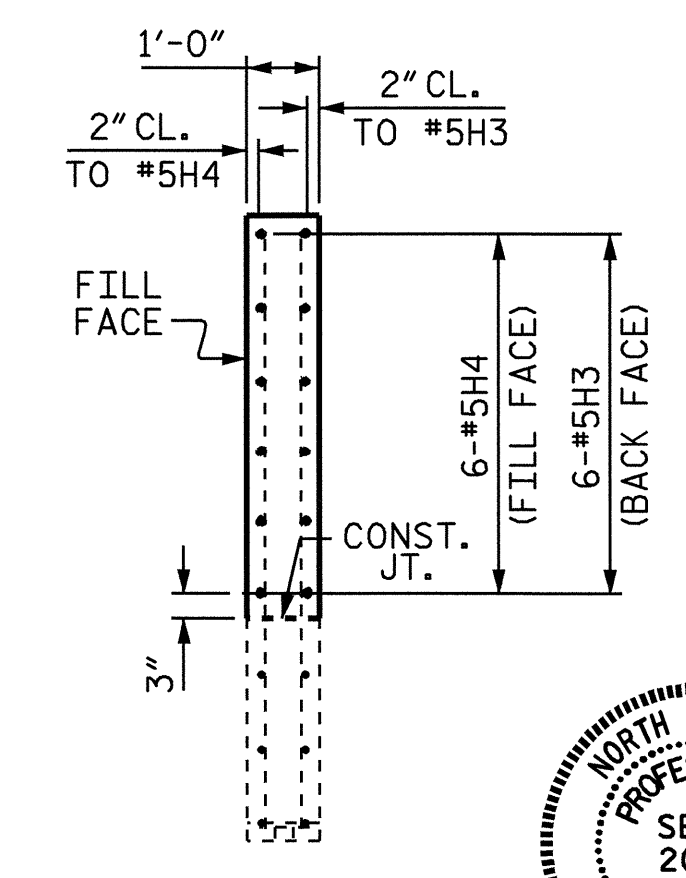
PLAN OF SPAN C



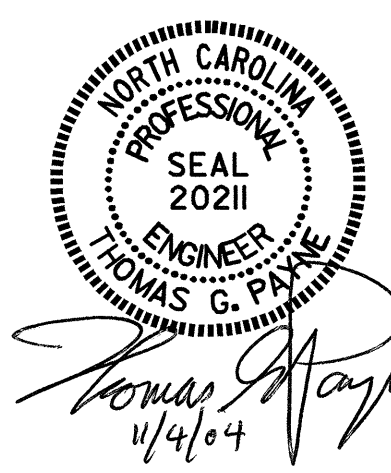
PLAN OF WING W2



ELEVATION OF WING W2



SECTION Y-Y



PROJECT NO. R-2911D  
 ROWAN COUNTY  
 STATION: 304+22.00-L-

SHEET 2 OF 2  
 STATE OF NORTH CAROLINA  
 DEPARTMENT OF TRANSPORTATION  
 RALEIGH  
 SUPERSTRUCTURE  
 PLAN OF SPANS  
 (LEFT LANE)

REVISIONS						SHEET NO. S-61
NO.	BY:	DATE:	NO.	BY:	DATE:	
1			3			TOTAL SHEETS 120
2			4			

DRAWN BY: S.H. SOCKWELL      DATE: 4/04  
 CHECKED BY: K.D. LAYNE      DATE: 5/04