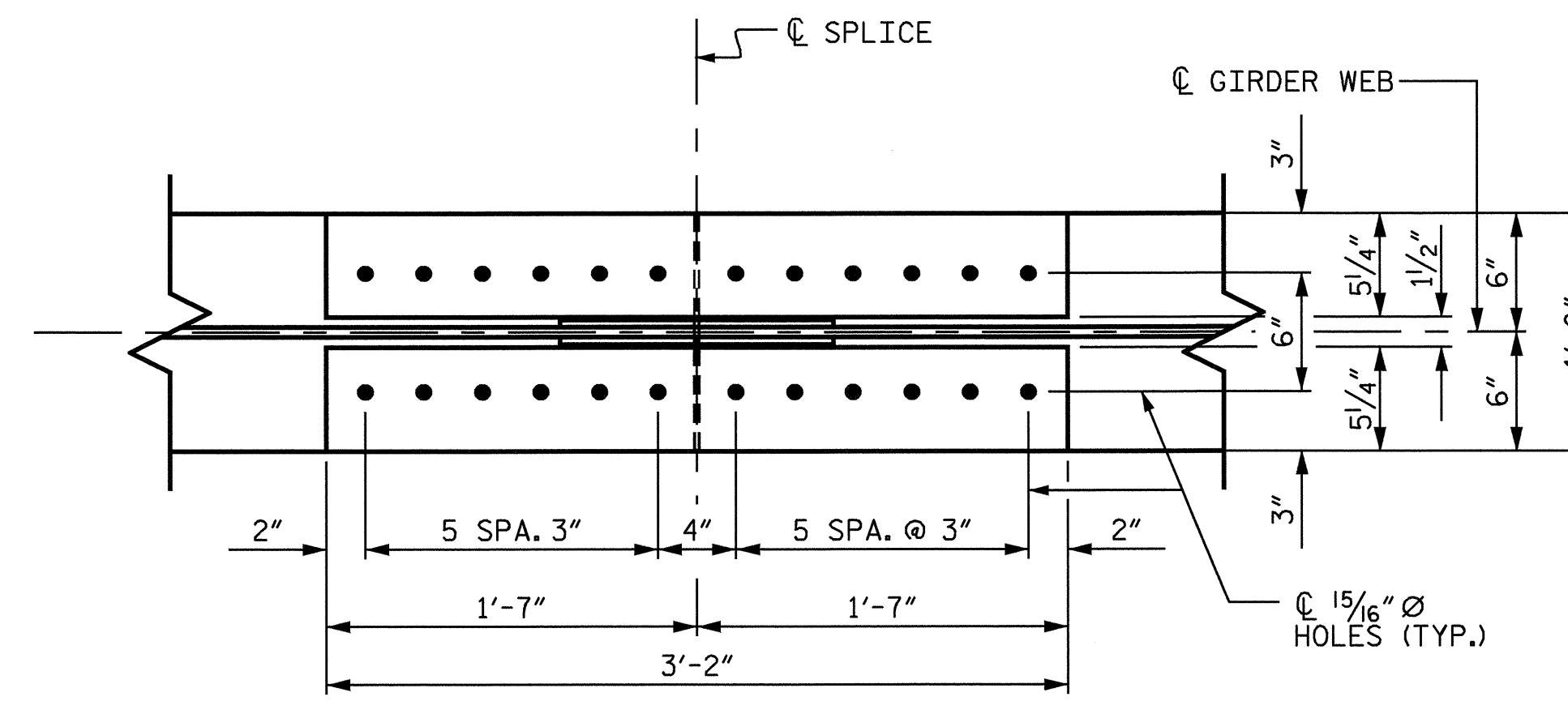
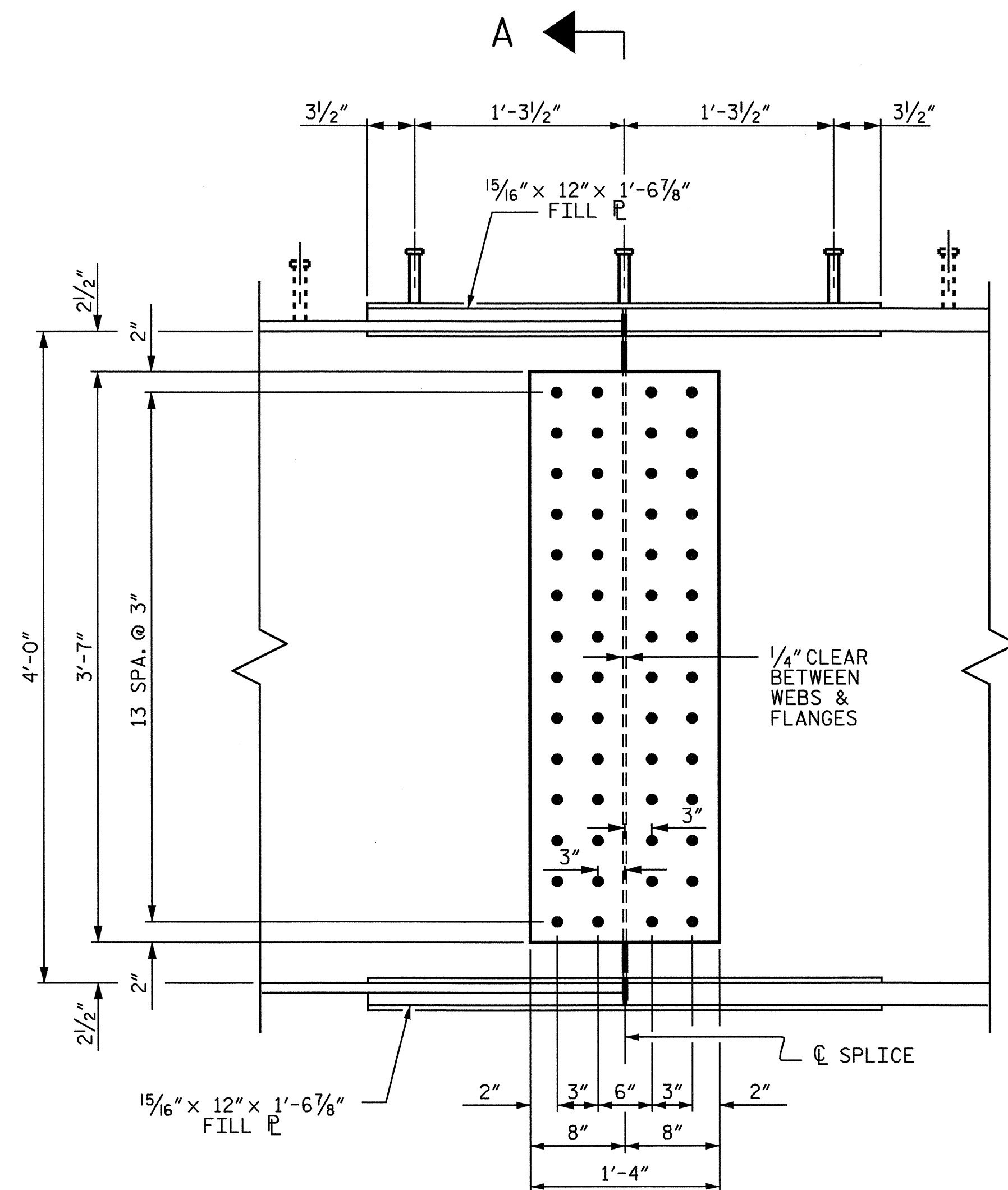


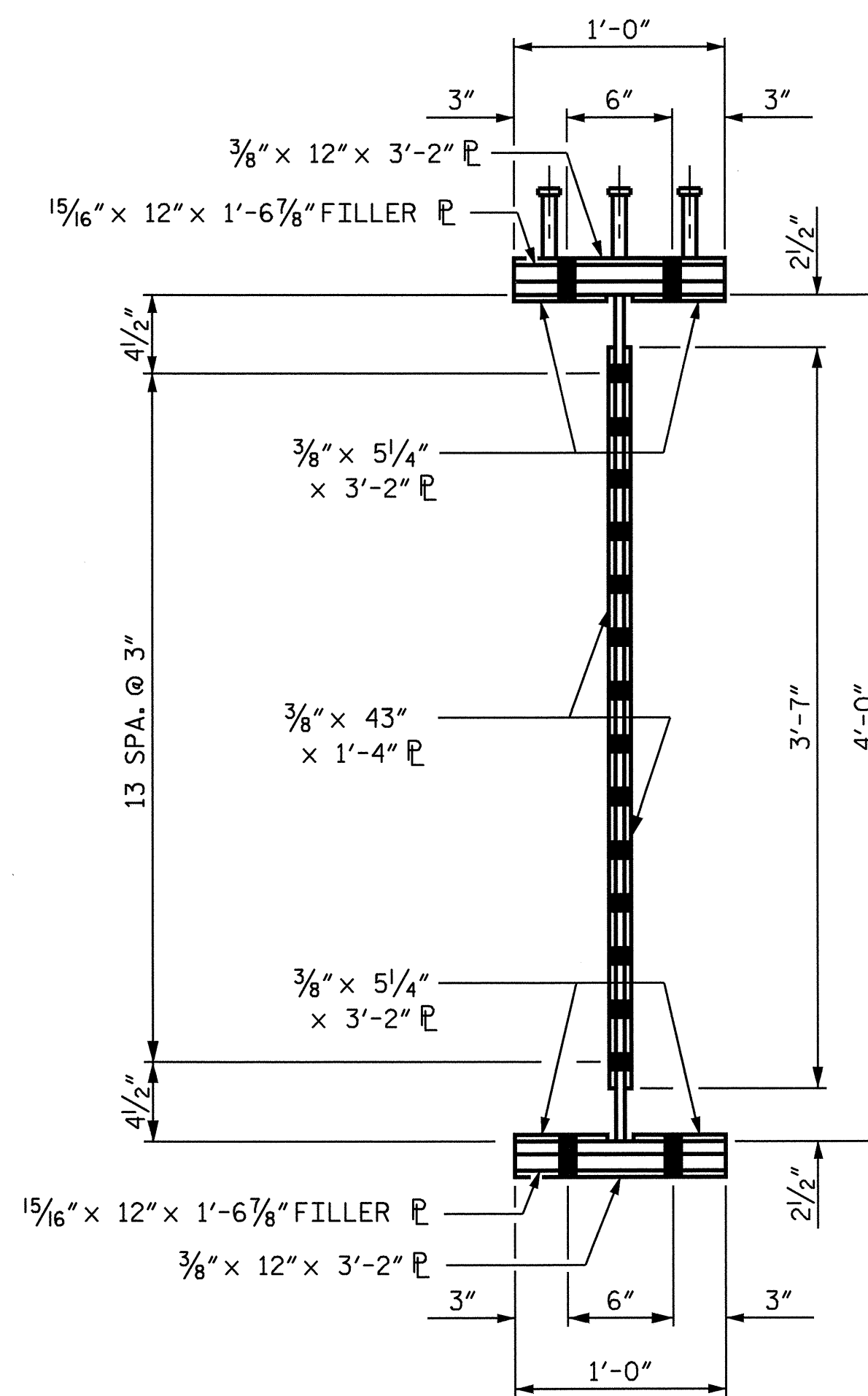
PLAN (TOP OF TOP FLANGE)



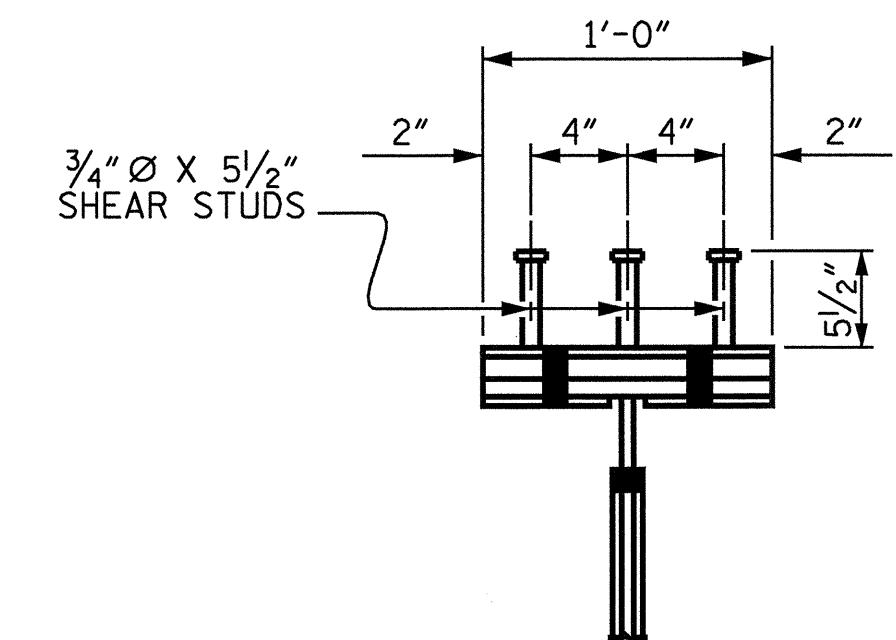
PLAN (TOP OF BOTTOM FLANGE)



ELEVATION



SECTION A-A



SHEAR STUD DETAIL FOR TOP FLANGE SPLICE PLATE

BOLTED FIELD SPLICE DETAILS

(TYPICAL EACH FIELD SPLICE)

DRAWN BY: S.H. SOCKWELL DATE: 4/04
 CHECKED BY: K.D. LAYNE DATE: 5/04

02-NOV-2004 09:47
 W:\squad\vr2911d\final\str3\vr-2911d_ss_03.dgn
 Klayne



PROJECT NO. R-2911D
 ROWAN COUNTY
 STATION: 304.22.00-L-

SHEET 3 OF 4

STATE OF NORTH CAROLINA
 DEPARTMENT OF TRANSPORTATION
 RALEIGH

SUPERSTRUCTURE
 STRUCTURAL STEEL
 (LEFT LANE)

REVISIONS				SHEET NO.	
NO.	BY:	DATE:	NO.	BY:	DATE:
1			3		
2			4		

STR. #3