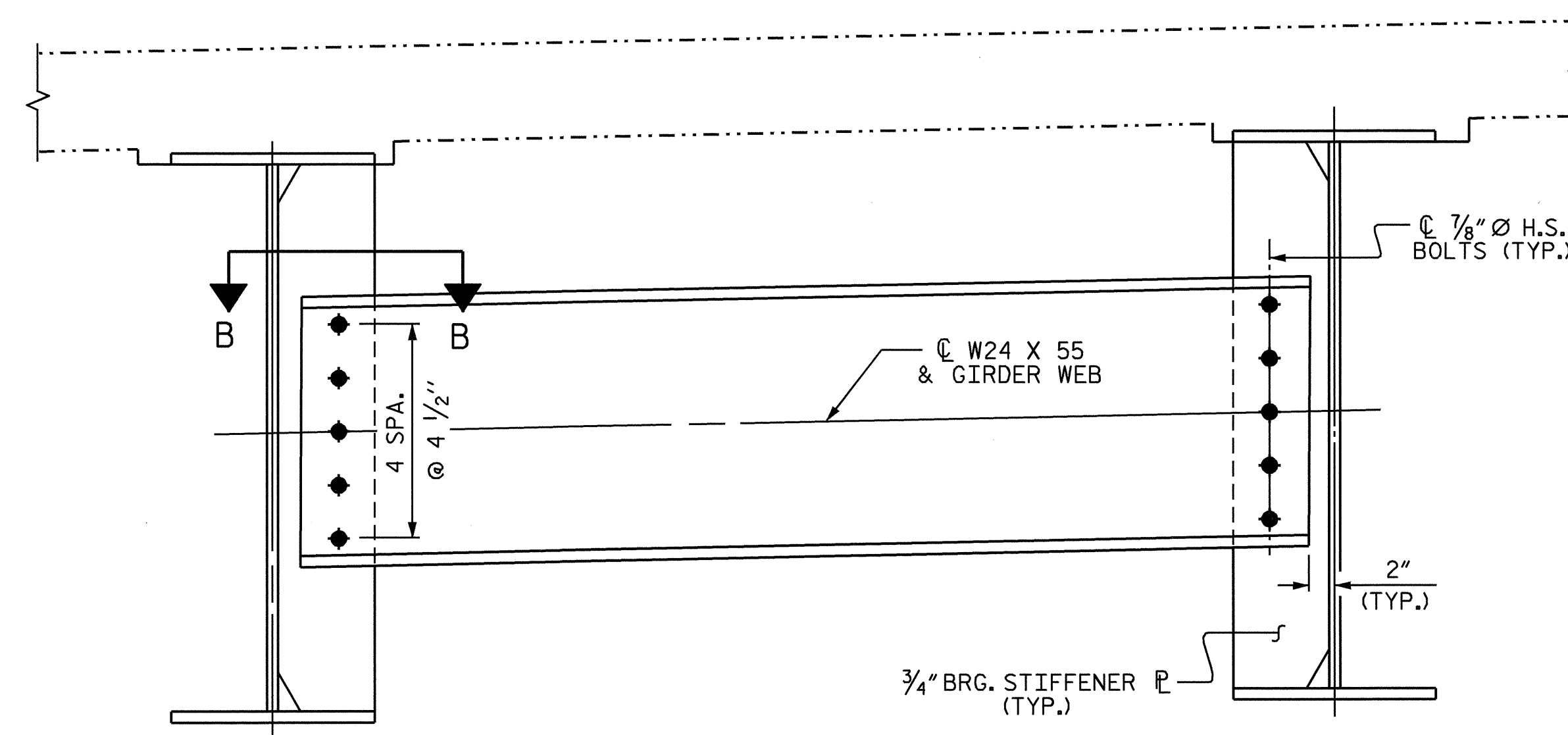
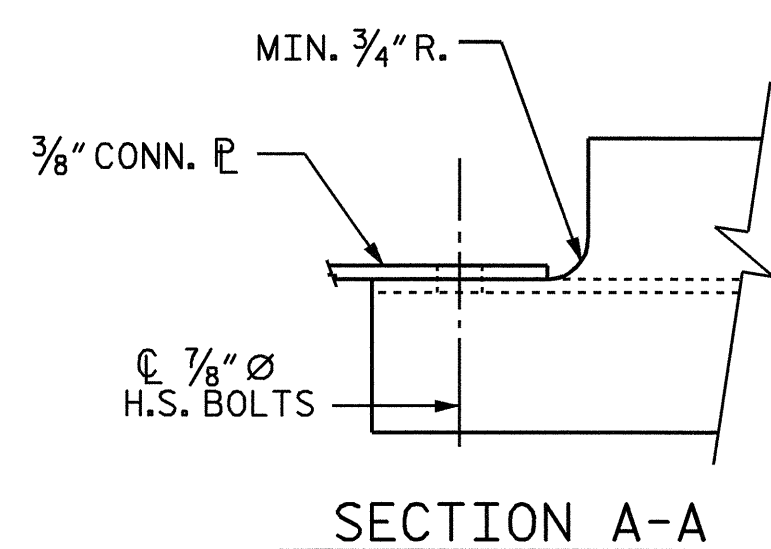


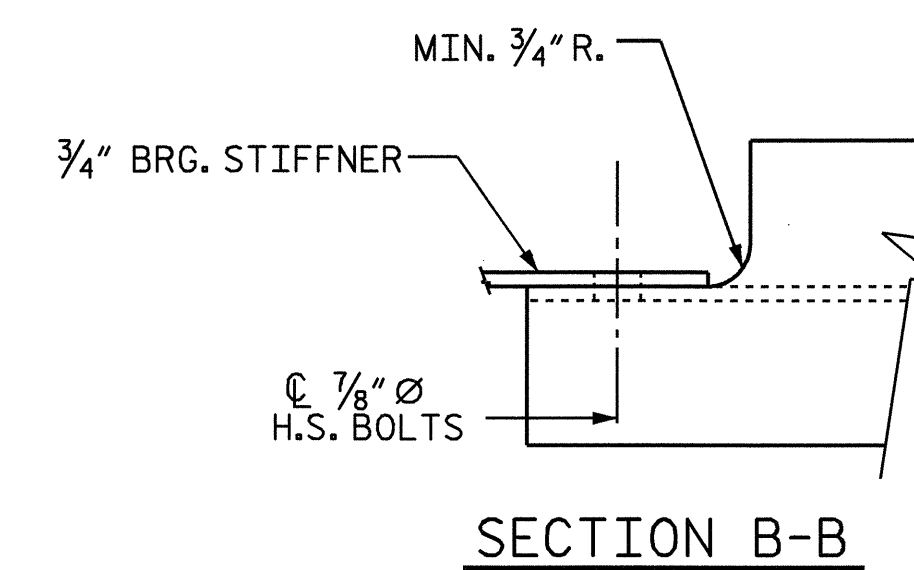
INTERMEDIATE DIAPHRAGM (D2)



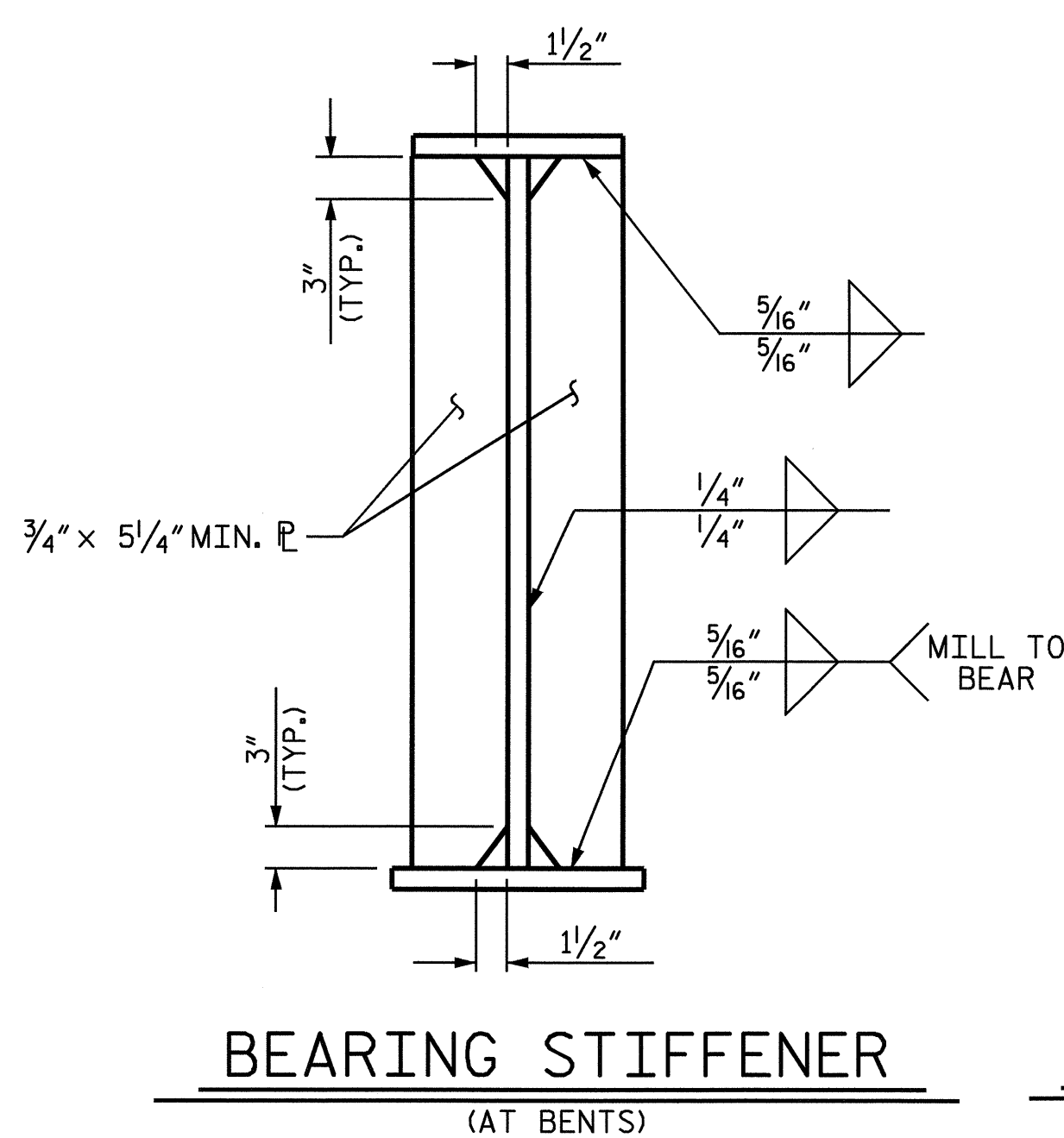
TYPICAL BENT DIAPHRAGM (D1)



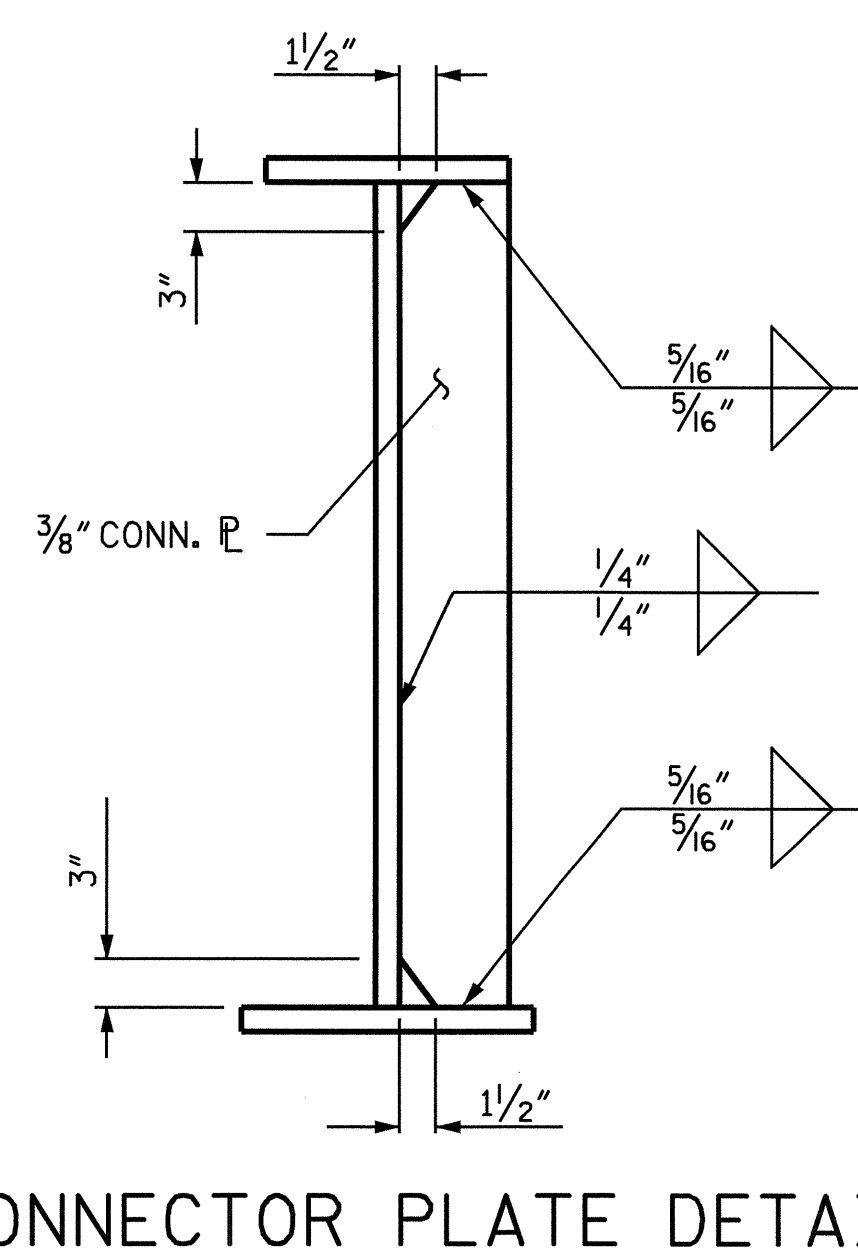
SECTION A-A



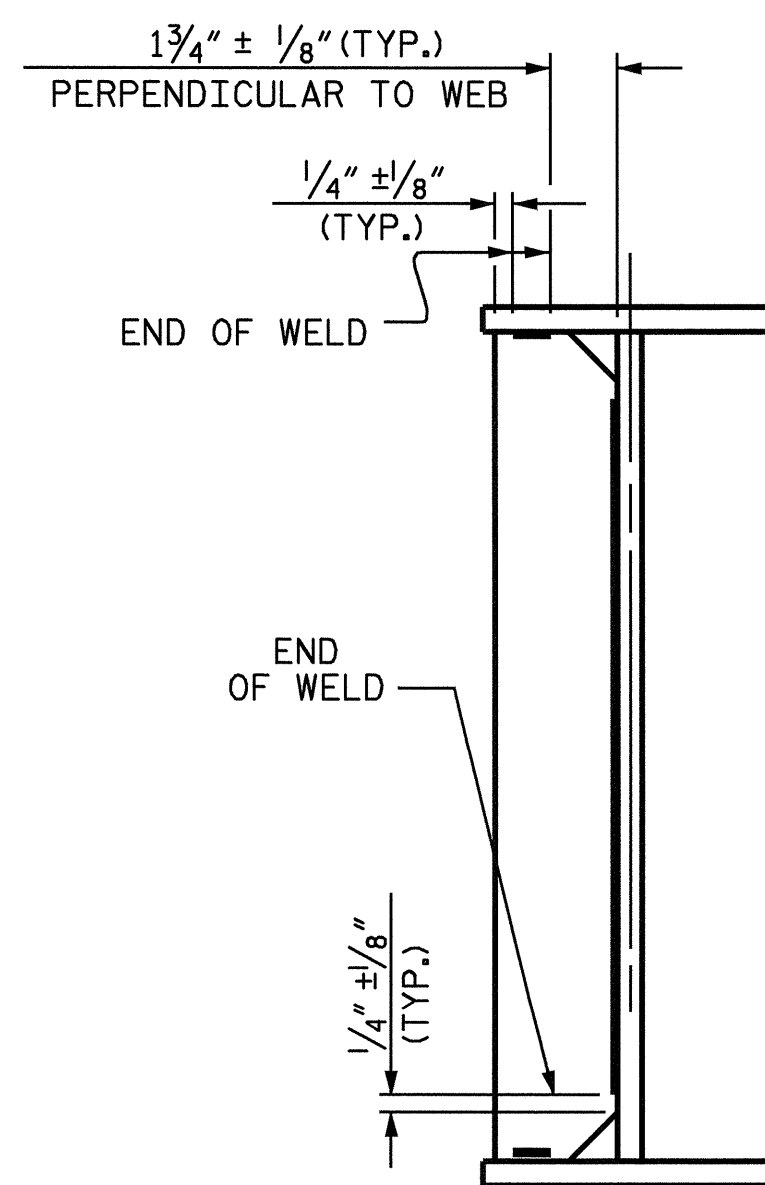
SECTION B-B



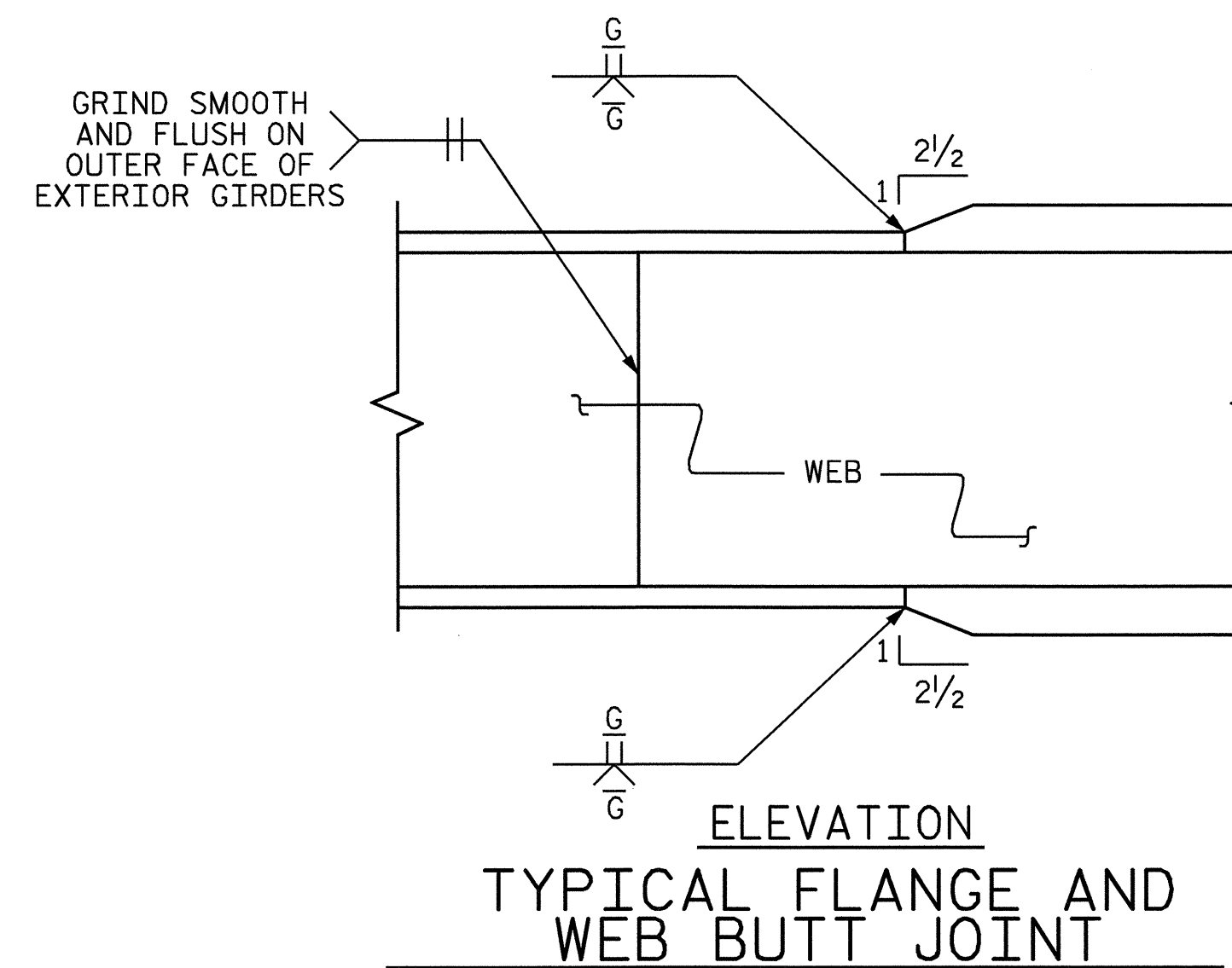
**BEARING STIFFENER
(AT BENTS)**



CONNECTOR PLATE DETAIL



**TYPICAL STIFFENER OR
CONNECTOR PLATE CONNECTIONS**



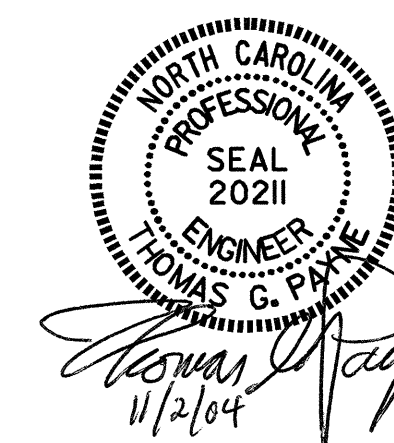
**ELEVATION
TYPICAL FLANGE AND
WEB BUTT JOINT**

PROJECT NO. R-2911D
ROWAN COUNTY
 STATION: 304.22.00-L-

SHEET 4 OF 4

STATE OF NORTH CAROLINA
 DEPARTMENT OF TRANSPORTATION
 RALEIGH

SUPERSTRUCTURE
 STRUCTURAL STEEL
 (LEFT LANE)



DRAWN BY: S.H. SOCKWELL DATE: 4/04
 CHECKED BY: K.D. LAYNE DATE: 5/04

02-NOV-2004 09:47
 W:\squad1\2911d\final\str3\R-2911D.sd.ss.03.dgn
 Klayne

REVISIONS						SHEET NO.	
NO.	BY:	DATE:	NO.	BY:	DATE:	S-66	
1			3			TOTAL SHEETS	120
2			4				