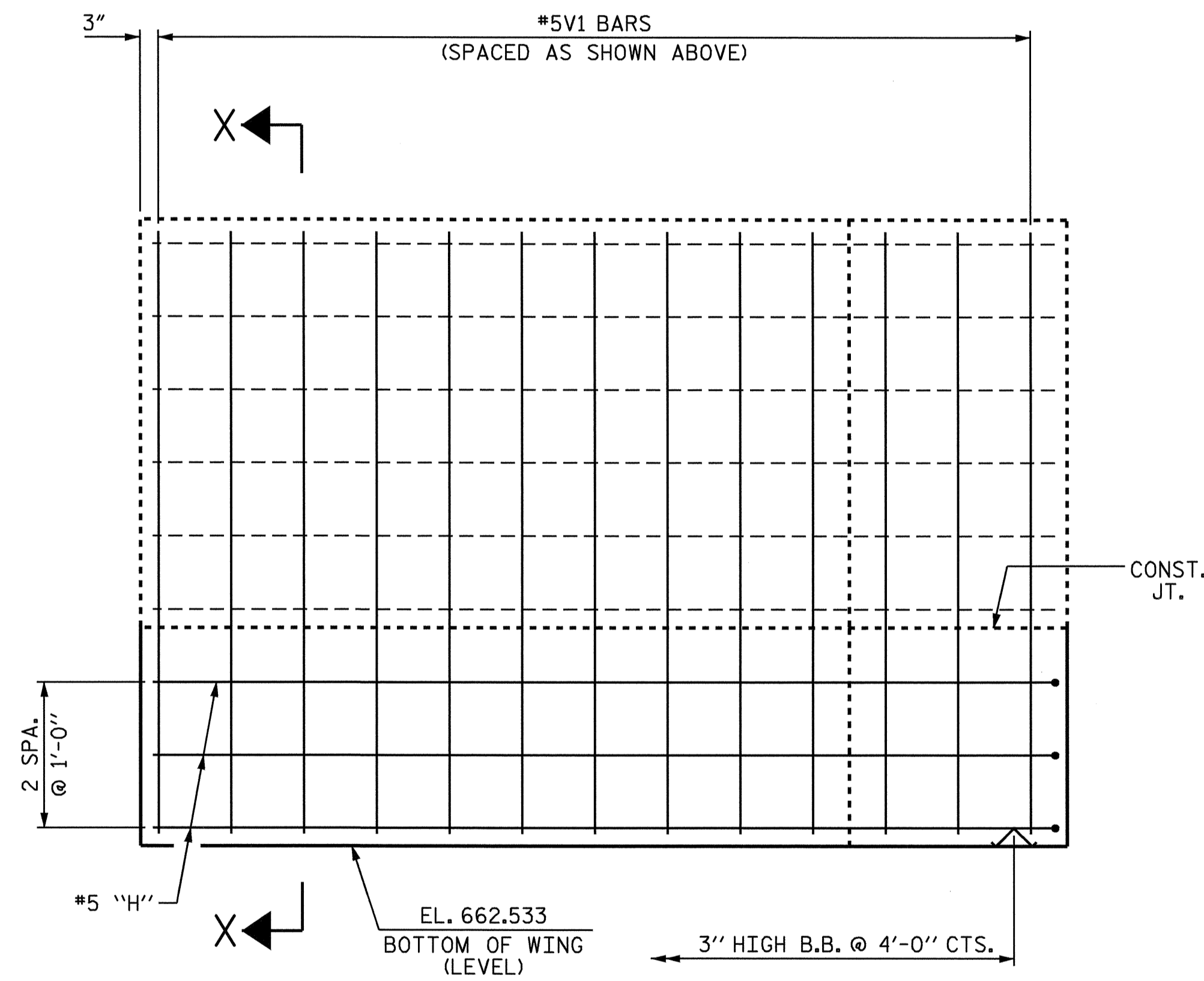
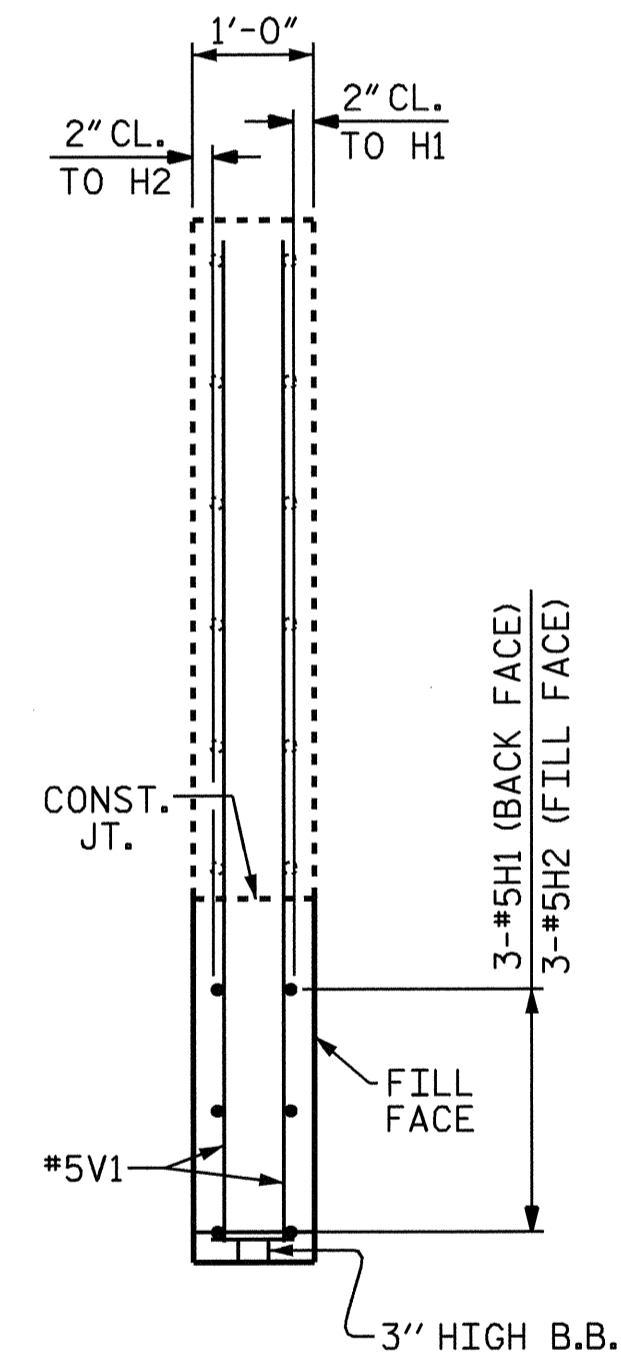


PLAN OF WING (W2)



ELEVATION OF WING (W2)



SECTION X-X

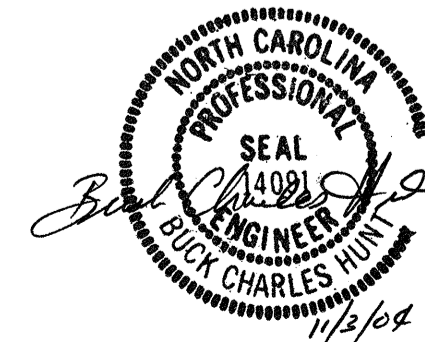
NOTE: THE UPPER PORTION OF THE WINGS SHALL BE POURED WITH THE SUPERSTRUCTURE. FOR DETAILS AND REINFORCING STEEL, SEE SUPERSTRUCTURE DETAILS.

PROJECT NO. R-2911D
ROWAN COUNTY
 STATION: 304+22.00 -L-

SHEET 2 OF 3

STATE OF NORTH CAROLINA
 DEPARTMENT OF TRANSPORTATION
 RALEIGH

SUBSTRUCTURE
 INTEGRAL
 END BENT #2
 LEFT LANE



| REVISIONS | | | | | | SHEET NO. S-B1 |
|-----------|-----|-------|-----|-----|-------|---------------------|
| NO. | BY: | DATE: | NO. | BY: | DATE: | |
| 1 | | | 3 | | | TOTAL SHEETS 120 |
| 2 | | | 4 | | | |

DRAWN BY: J.P. ADAMS DATE: 4/21/04
 CHECKED BY: B.C. HUNT DATE: 5/5/04