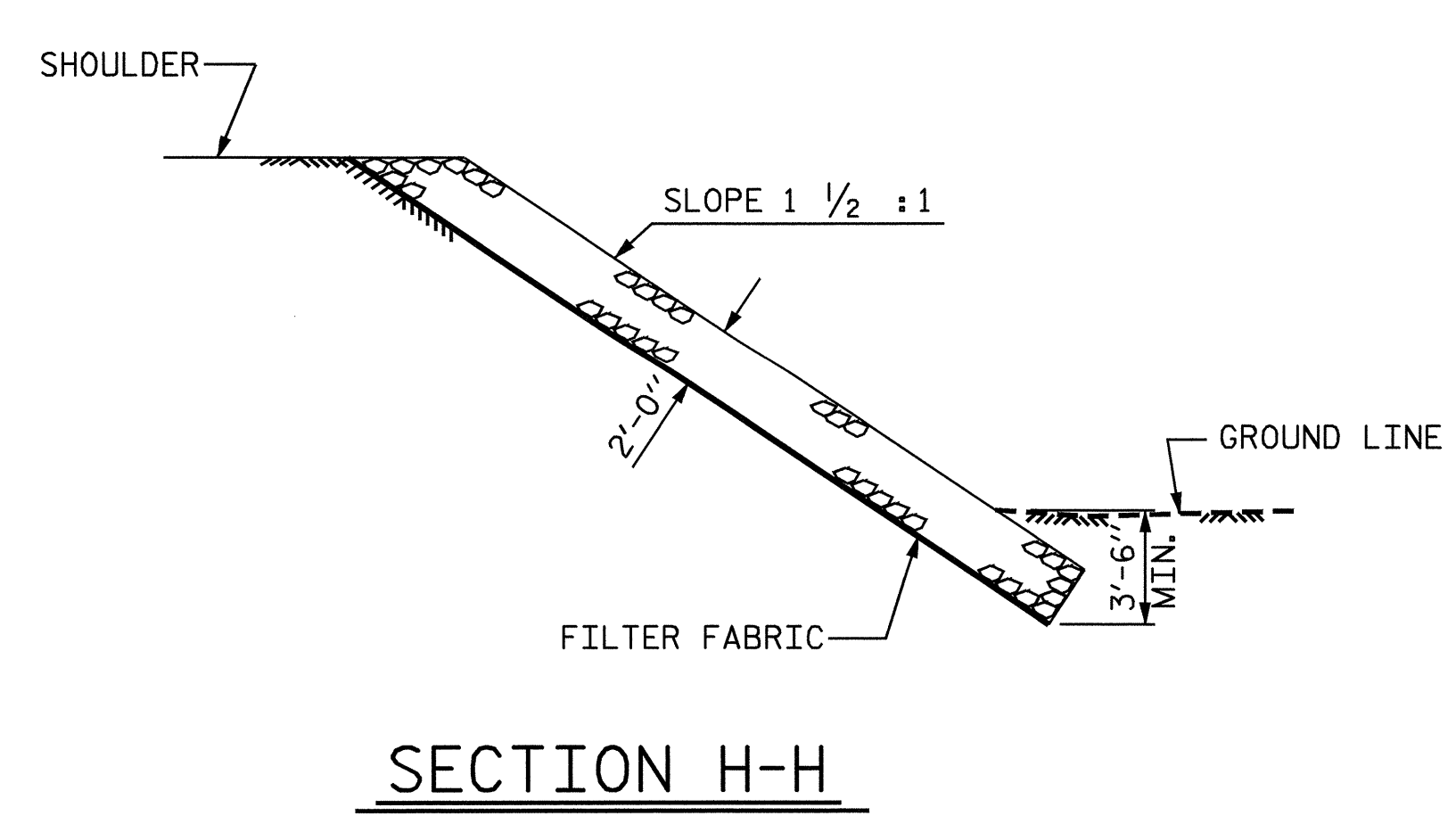
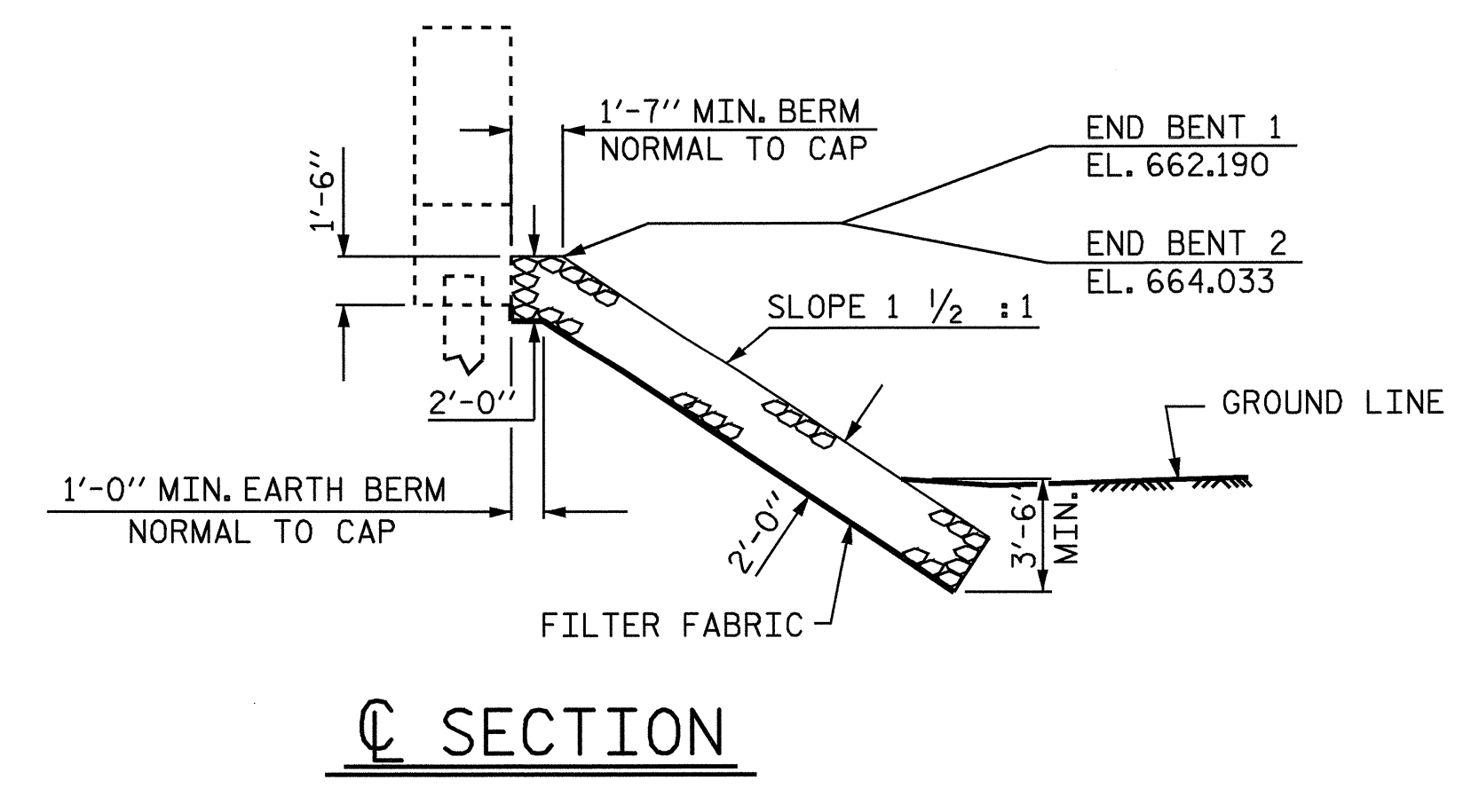


ESTIMATED QUANTITIES		
BRIDGE @ STA. 304+22.00 -L-	PLAIN RIP RAP CLASS II	FILTER FABRIC FOR DRAINAGE
	TONS	SQUARE YARDS
END BENT 1	167	185
END BENT 2	184	205

END BENT 1
END BENT 2
PLAN



SECTION H-H



SECTION C-C
BERM RIP RAPPED

PROJECT NO. R-2911D
ROWAN COUNTY
STATION: 304+22.00 -L-

STATE OF NORTH CAROLINA
DEPARTMENT OF TRANSPORTATION
RALEIGH
STANDARD
RIP RAP DETAILS
(LEFT LANE)



ASSEMBLED BY : A. K. PATEL	DATE : 05-07-04
CHECKED BY : H. A. LOCKLEAR	DATE : 05-27-04
DRAWN BY : FCJ 2/88	REV. 7/17/98 REK/RWW
CHECKED BY : ARB 8/88	REV. 8/16/99 RWW/LES
	REV. 10/17/00 RWW/LES

REVISIONS						SHEET NO. S-83
NO.	BY:	DATE:	NO.	BY:	DATE:	
1			3			TOTAL SHEETS
2			4			120