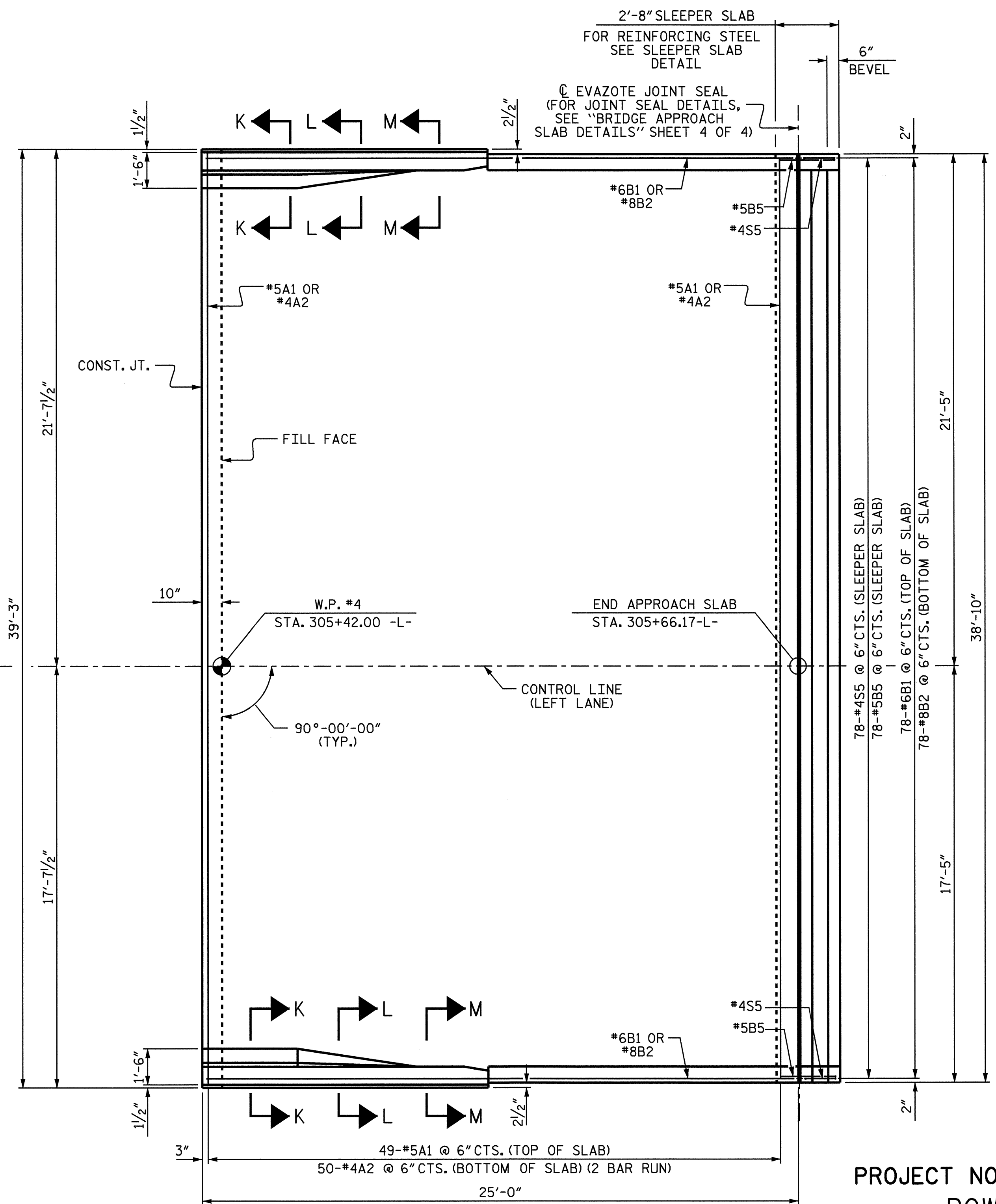
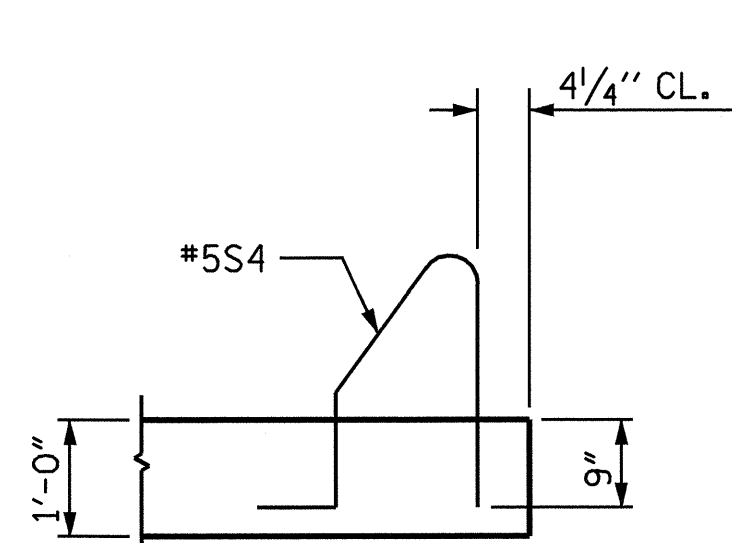


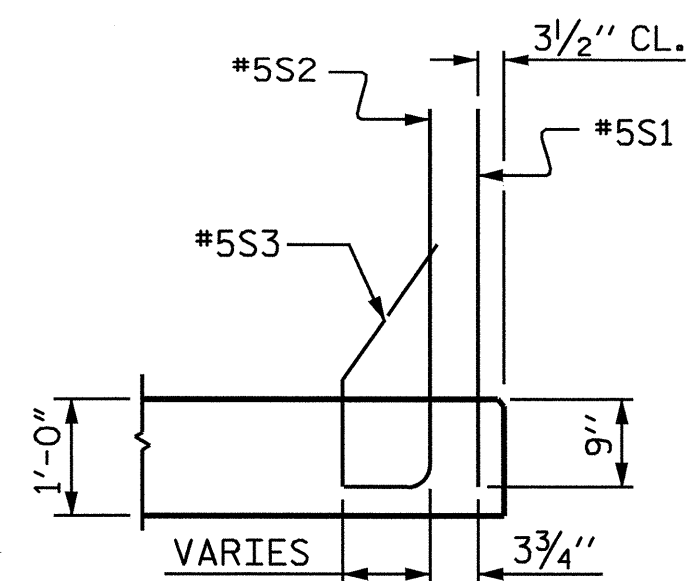
PLAN APPROACH SLAB @ END BENT 1



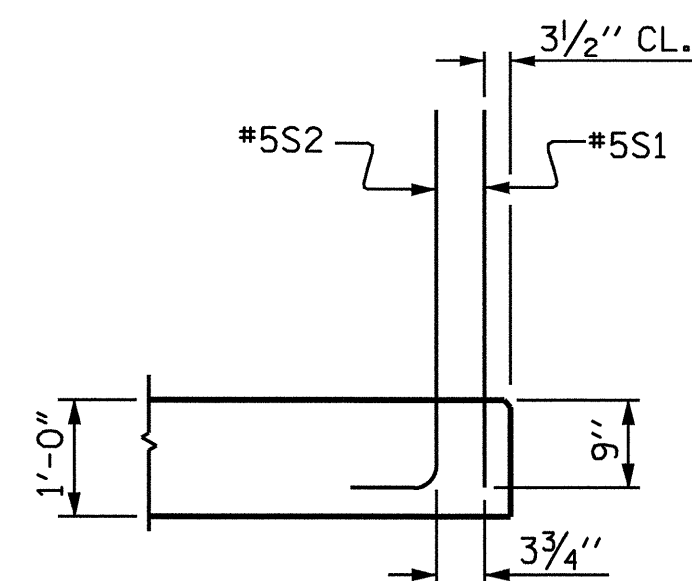
PLAN APPROACH SLAB @ END BENT 2



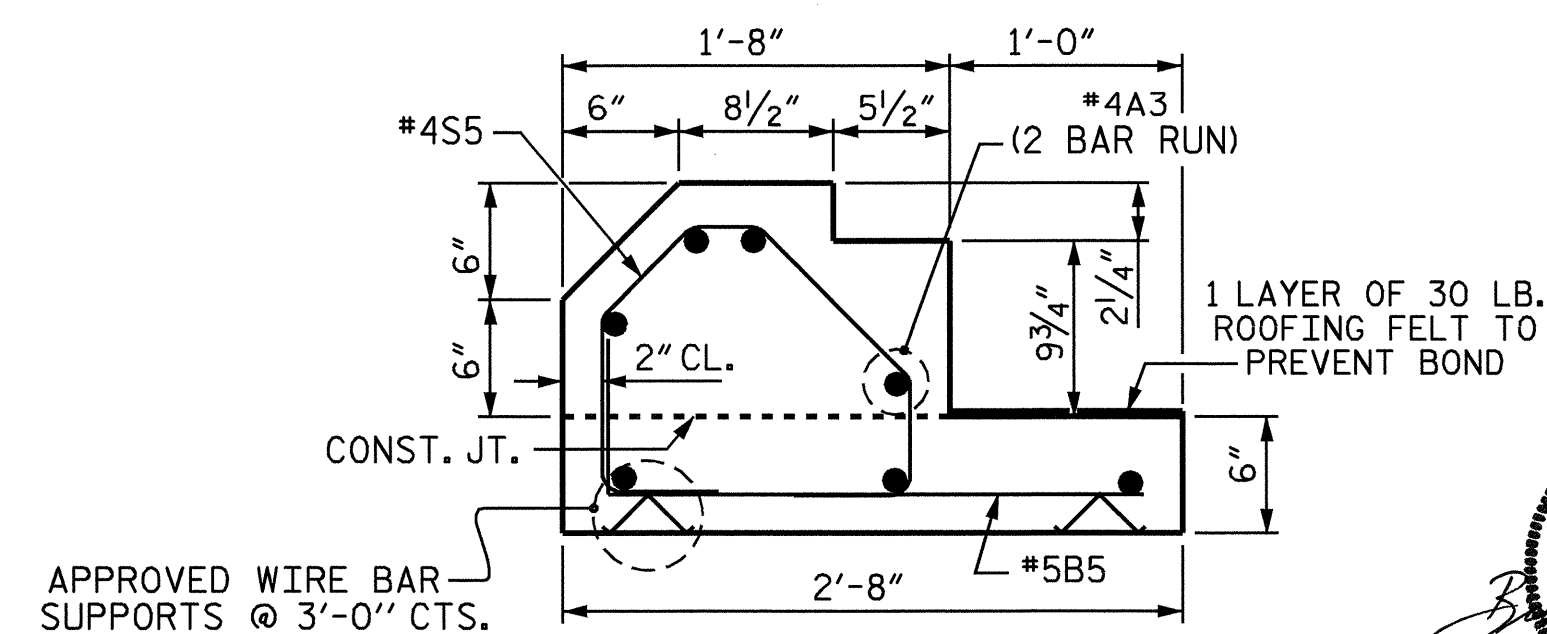
SECTION K-K



SECTION L-L



SECTION M-M



SLEEPER SLAB DETAIL

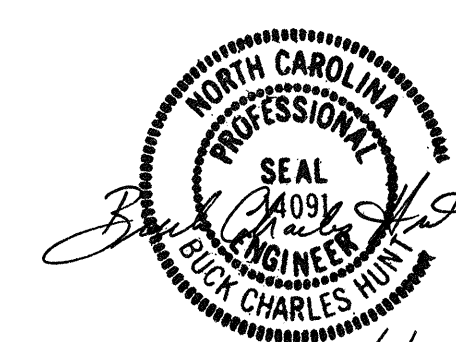
PROJECT NO. R-2911D  
 ROWAN COUNTY  
 STATION: 304+22.00-L-

SHEET 1 OF 4

STATE OF NORTH CAROLINA  
 DEPARTMENT OF TRANSPORTATION  
 RALEIGH

BRIDGE APPROACH SLAB  
 FOR FLEXIBLE PAVEMENT  
 WITH BARRIER RAIL  
 (LEFT LANE)

REVISIONS						SHEET NO.	
NO.	BY:	DATE:	NO.	BY:	DATE:	S-84	
1			3			TOTAL SHEETS	
2			4			120	



DRAWN BY: S.H. SOCKWELL DATE: 05/04  
 CHECKED BY: B.C. HUNT DATE: 06/04