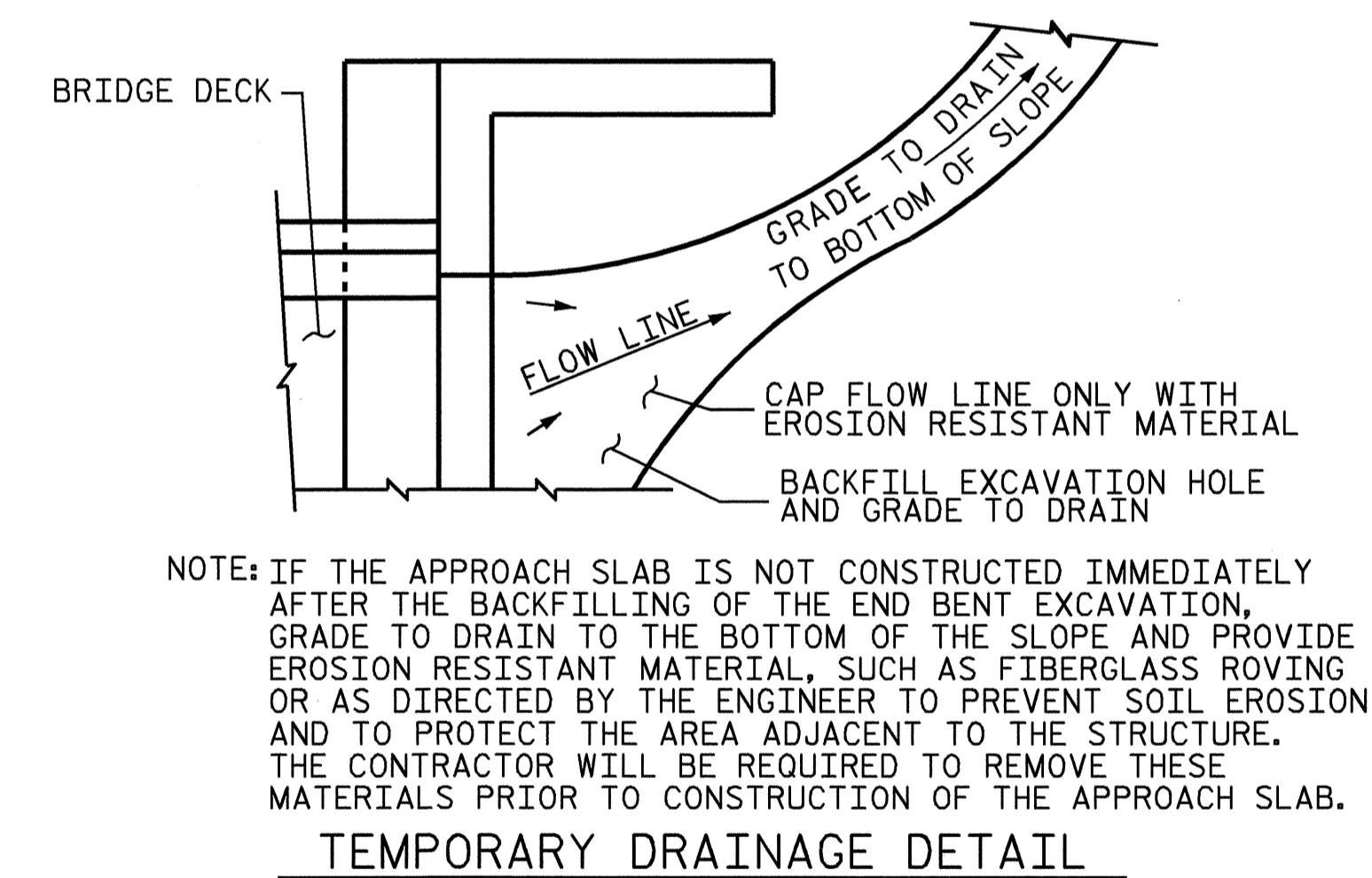
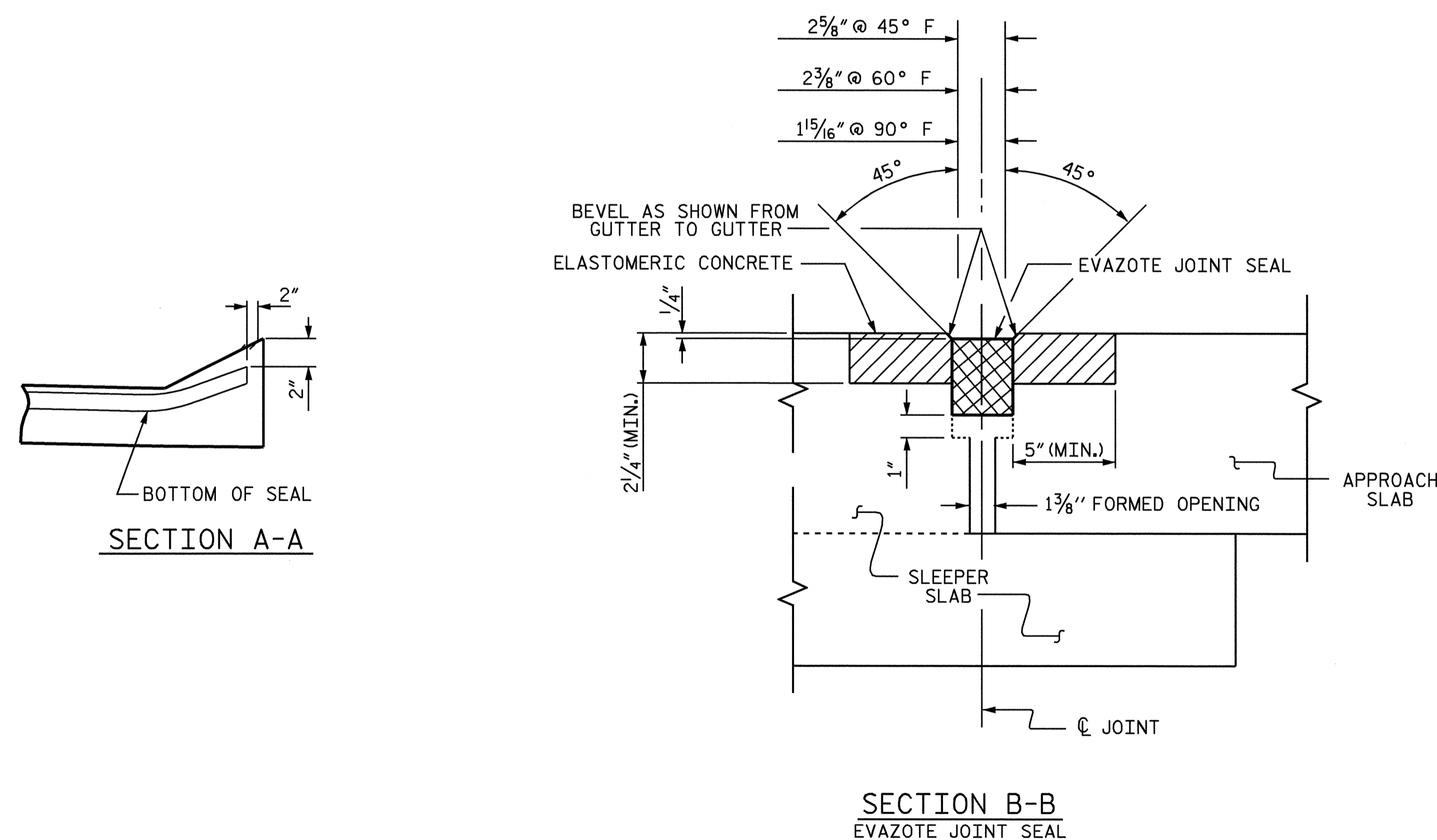


TEMPORARY BERM AND SLOPE DRAIN DETAILS



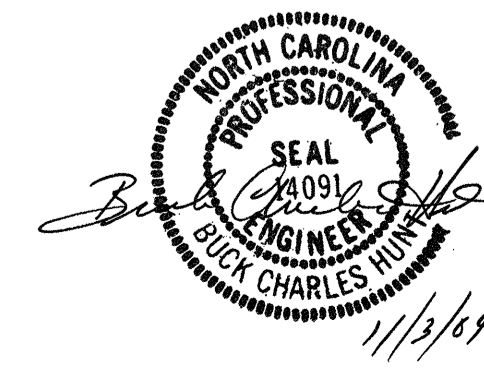
TYPICAL EVAZOTE JOINT SEAL DETAILS

PROJECT NO. R-2911D
ROWAN COUNTY
 STATION: 304+22.00-L-

SHEET 4 OF 4

STATE OF NORTH CAROLINA
 DEPARTMENT OF TRANSPORTATION
 RALEIGH

BRIDGE APPROACH
 SLAB DETAILS
 (LEFT LANE)



ASSEMBLED BY : S.H. SOCKWELL	DATE : 05/04
CHECKED BY : B.C. HUNT	DATE : 06/04
DRAWN BY : FCJ 11/88	REV. 8/16/99 MAB/LES
CHECKED BY : ARB 11/88	REV. 10/17/00 RWW/LES
	REV. 5/7/03 RWW/JTE

REVISIONS						SHEET NO.
NO.	BY:	DATE:	NO.	BY:	DATE:	S-87
1			3			TOTAL SHEETS
2			4			120