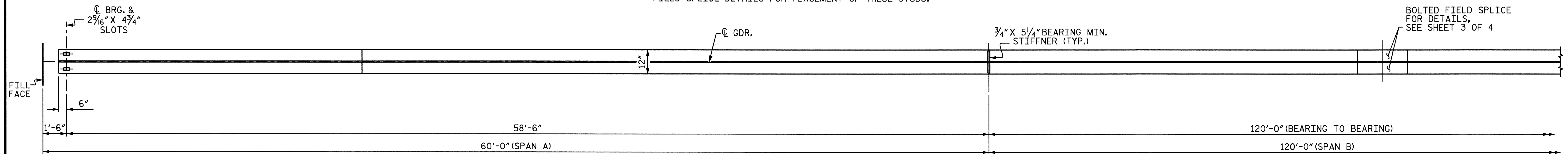
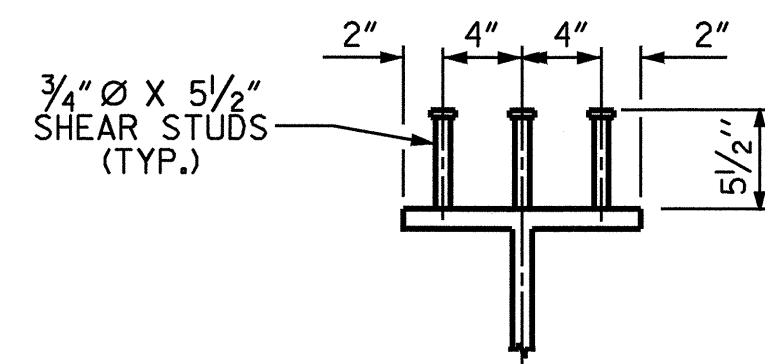


GIRDER ELEVATION

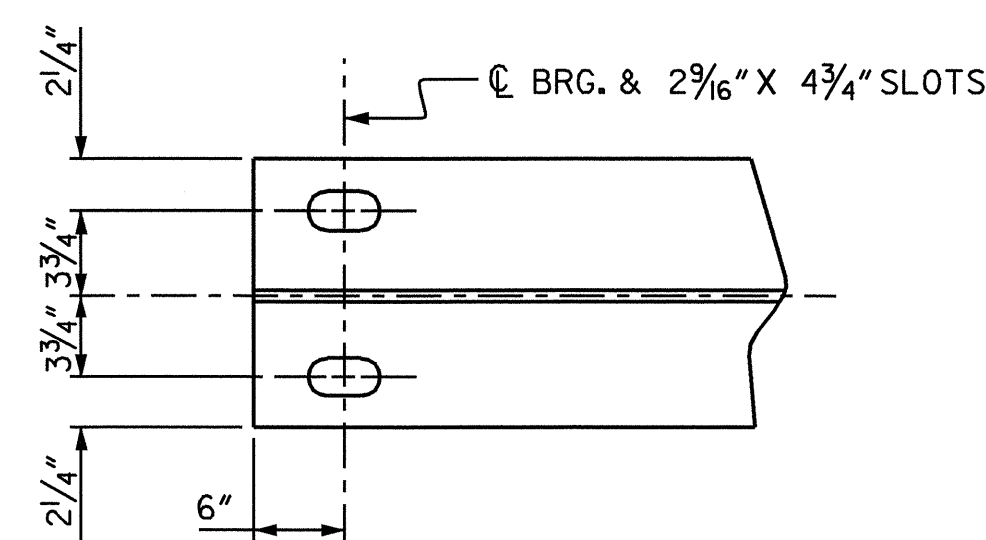
* 3 ADDITIONAL ROWS OF SHEAR STUDS ARE LOCATED ON THE TOP OF EACH BOLTED FIELD SPLICE, SEE BOLTED FIELD SPLICE DETAILS FOR PLACEMENT OF THESE STUDS.



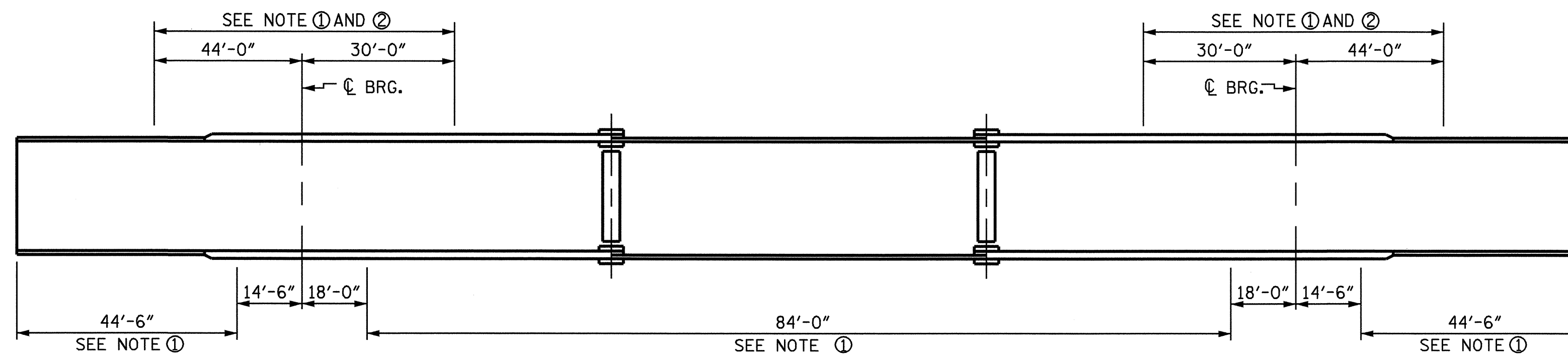
BOTTOM FLANGE DETAIL



SHEAR STUD DETAILS



PARTIAL BOTTOM FLANGE DETAIL



CHARPY V-NOTCH TESTS FOR CONTINUOUS PLATE GIRDERS

NOTE ① : CHARPY V-NOTCH TESTS ARE REQUIRED FOR ALL TOP OR BOTTOM FLANGE PLATES WHICH FALL WITHIN THESE LIMITS, ALL WEB PLATES, AND ALL SPLICE PLATES. IF A PERMITTED SHOP FLANGE SPLICE IS NOT USED, CHARPY V-NOTCH TESTS WILL BE REQUIRED FOR THE ENTIRE FLANGE PLATE. FOR CHARPY V-NOTCH TESTS, SEE ARTICLE 1072-9 OF THE STANDARD SPECIFICATIONS.

NOTE ② : NO WELDING OF FORMS OR FALSEWORK TO THE TOP FLANGE WILL BE PERMITTED IN THIS REGION

PROJECT NO. R-2911D
ROWAN COUNTY
 STATION: 304.22.00-L-

SHEET 1 OF 4

STATE OF NORTH CAROLINA
 DEPARTMENT OF TRANSPORTATION
 RALEIGH

SUPERSTRUCTURE
 STRUCTURAL STEEL
 (RIGHT LANE)



REVISIONS						SHEET NO. S-96
NO.	BY:	DATE:	NO.	BY:	DATE:	
1			3			TOTAL SHEETS 120
2			4			

DRAWN BY : S.H. SOCKWELL DATE : 05/04
 CHECKED BY : K.D. LAYNE DATE : 05/04