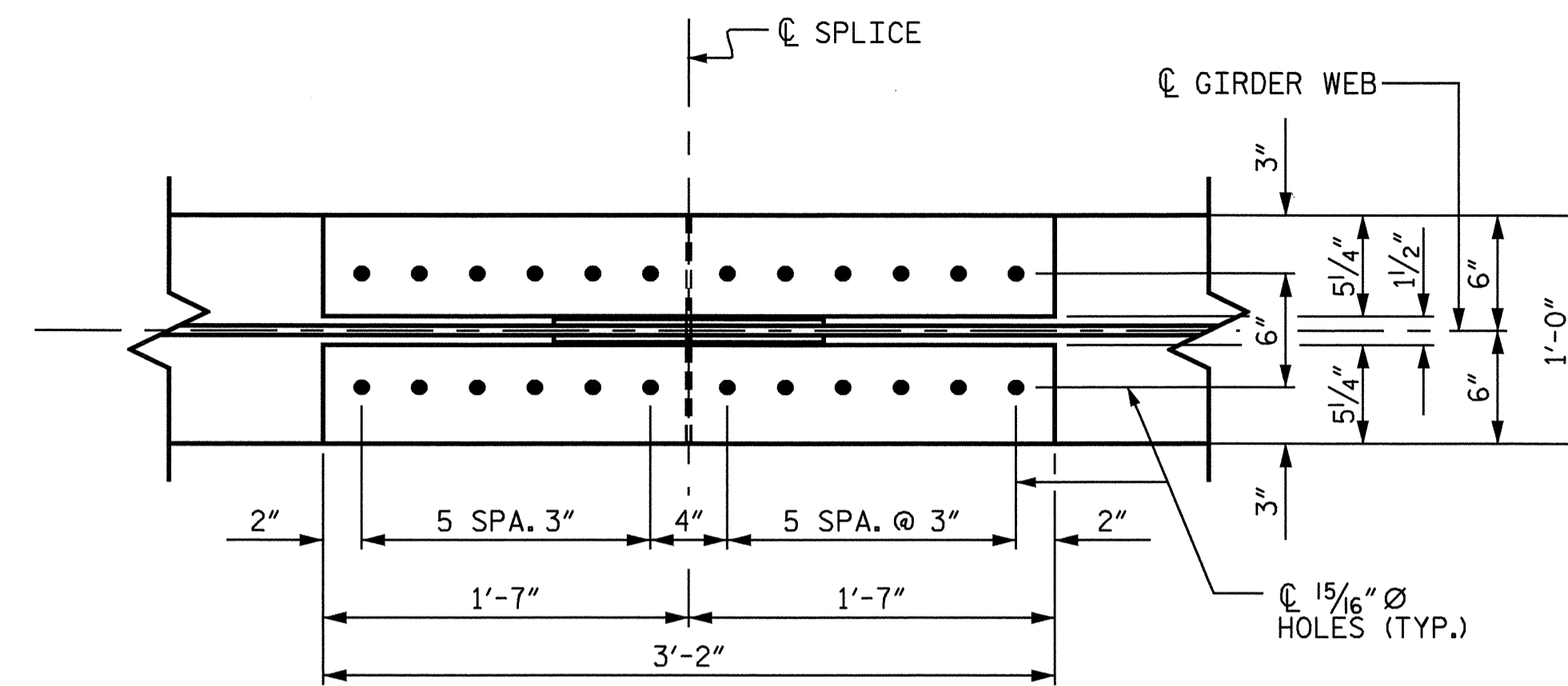
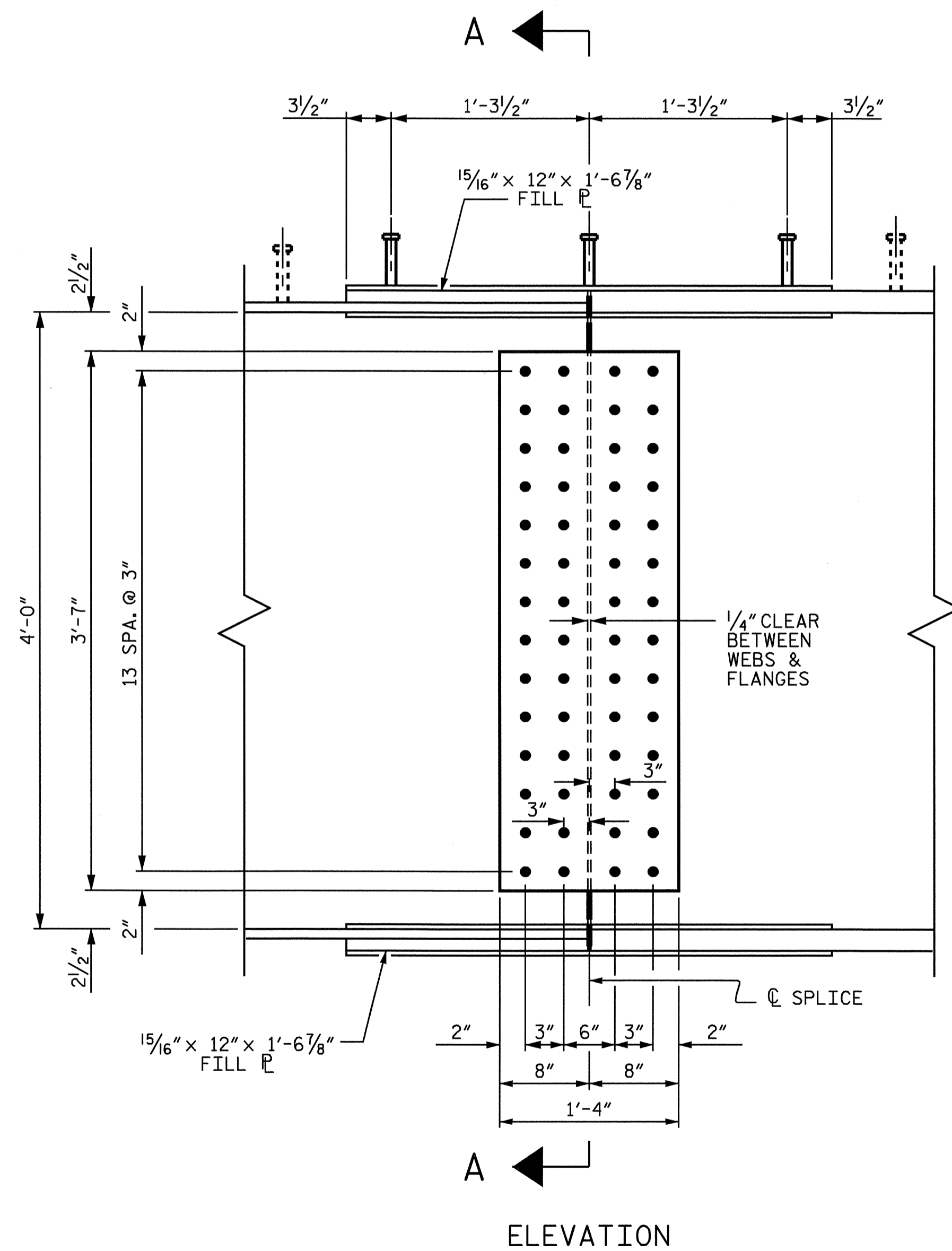


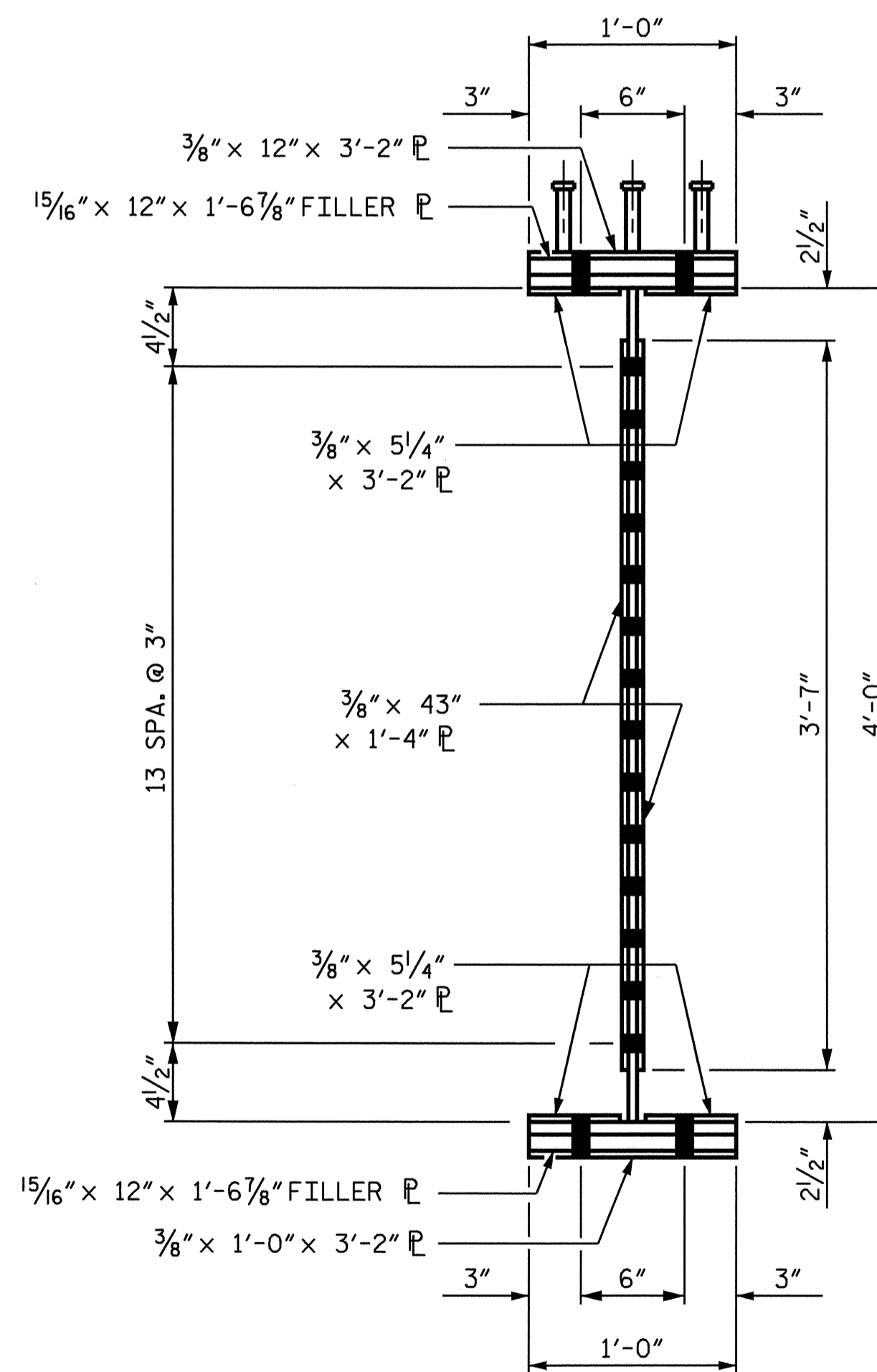
PLAN (TOP OF TOP FLANGE)



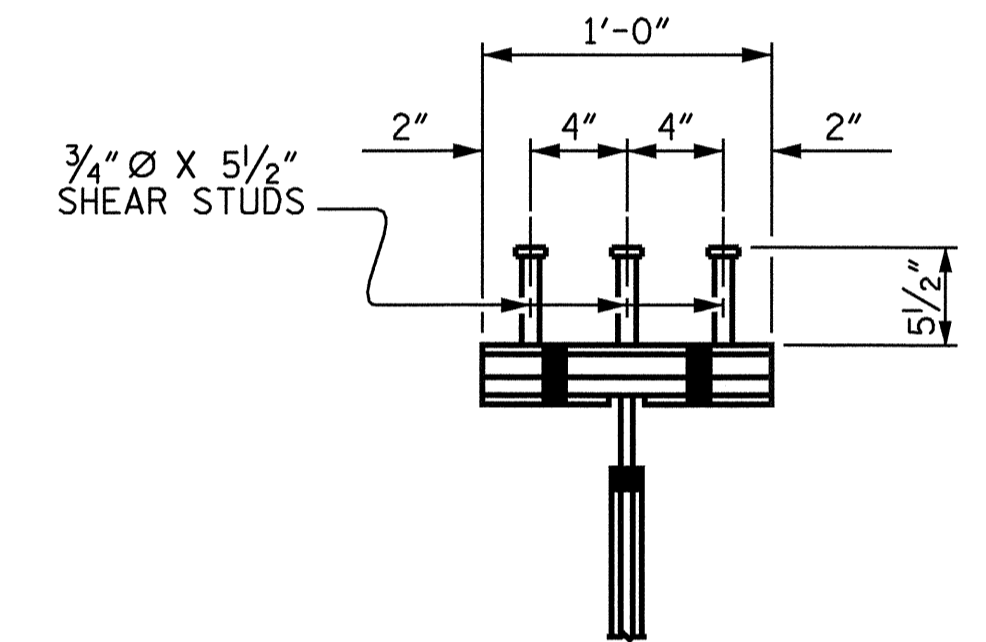
PLAN (TOP OF BOTTOM FLANGE)



ELEVATION



SECTION A-A



SHEAR STUD DETAIL FOR TOP FLANGE SPLICE PLATE

BOLTED FIELD SPLICE DETAILS

(TYPICAL EACH FIELD SPLICE)

PROJECT NO. R-2911D
ROWAN COUNTY
 STATION: 304.22.00-L-
 SHEET 3 OF 4

STATE OF NORTH CAROLINA
 DEPARTMENT OF TRANSPORTATION
 RALEIGH

SUPERSTRUCTURE
 STRUCTURAL STEEL
 (RIGHT LANE)



REVISIONS						SHEET NO.	
NO.	BY:	DATE:	NO.	BY:	DATE:	5-98	
1			3			TOTAL SHEETS 120	
2			4				

DRAWN BY: S.H. SOCKWELL DATE: 4/04
 CHECKED BY: K.D. LAYNE DATE: 5/04

02-NOV-2004 09:50
 W:\squad\2911d\final\str4R-2911D.ed.ss.04.dgn
 Klayne