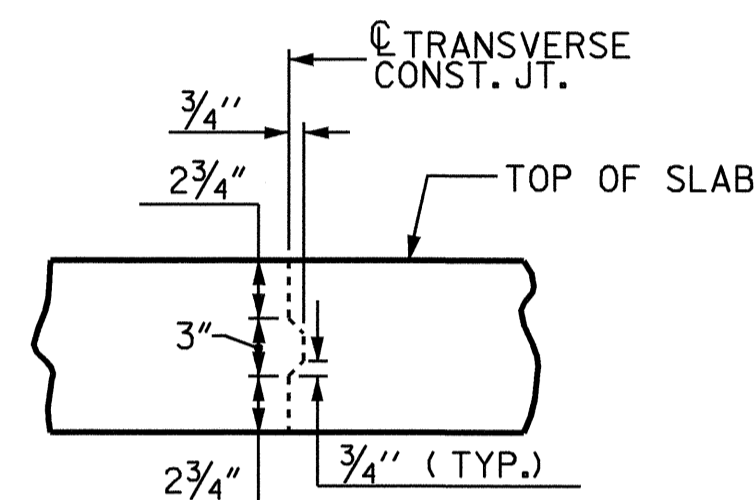


**WISCONSIN DOT POURING SEQUENCE**

① = INDICATES POUR NUMBER AND DIRECTION OF POUR

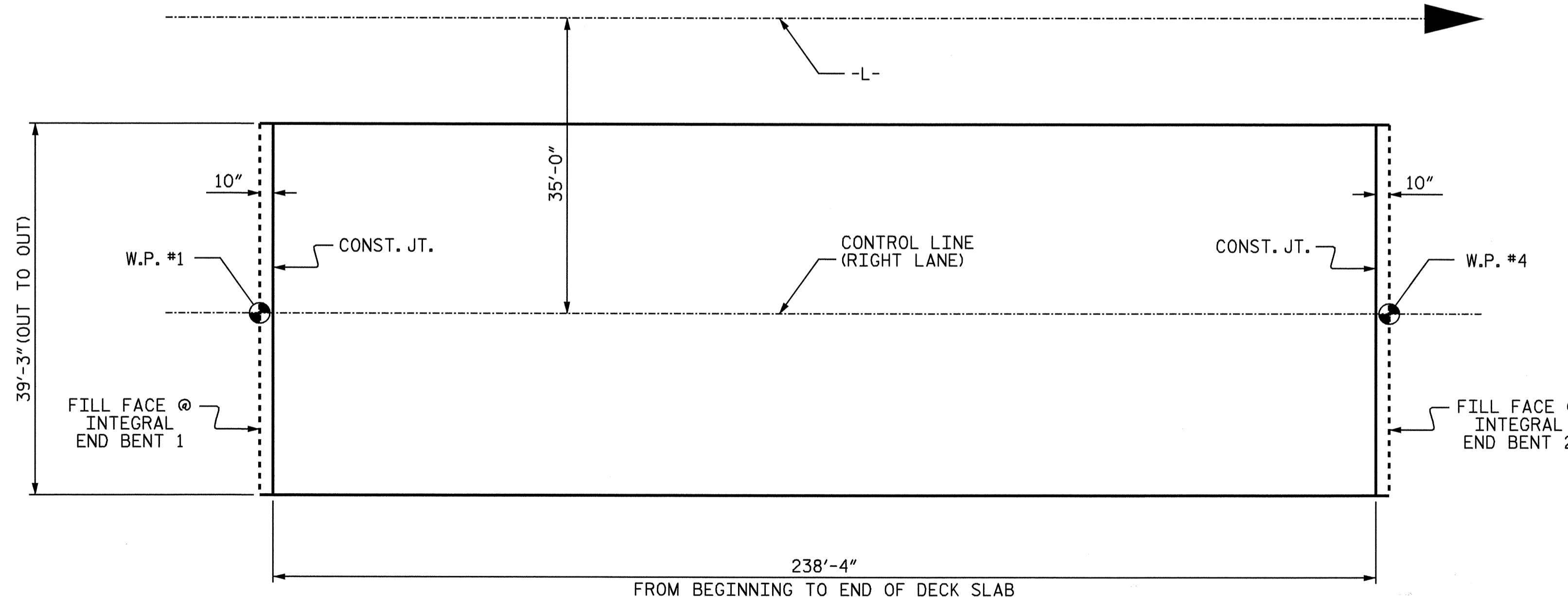


**TRANSVERSE CONSTRUCTION JOINT DETAIL**

NOTE: REINFORCING STEEL IN SLAB NOT SHOWN. LONGITUDINAL REINFORCING STEEL SHALL BE CONTINUOUS THRU JOINT.

SUPERSTRUCTURE REINFORCING STEEL LENGTHS ARE BASED ON THE FOLLOWING MINIMUM SPLICE LENGTHS

BAR SIZE	SUPERSTRUCTURE EXCEPT APPROACH SLABS, PARAPET, AND BARRIER RAIL		APPROACH SLABS		PARAPET AND BARRIER RAIL
	EPOXY COATED	UNCOATED	EPOXY COATED	UNCOATED	
#4	2'-0"	1'-9"	2'-0"	1'-9"	2'-9"
#5	2'-6"	2'-2"	2'-6"	2'-2"	3'-5"
#6	3'-0"	2'-7"	3'-10"	2'-7"	4'-4"
#7	5'-3"	3'-6"			
#8	6'-10"	4'-7"			



LAYOUT FOR COMPUTING AREA OF REINFORCED CONCRETE DECK SLAB (SQ. FT. = 9355)

**BILL OF MATERIAL**

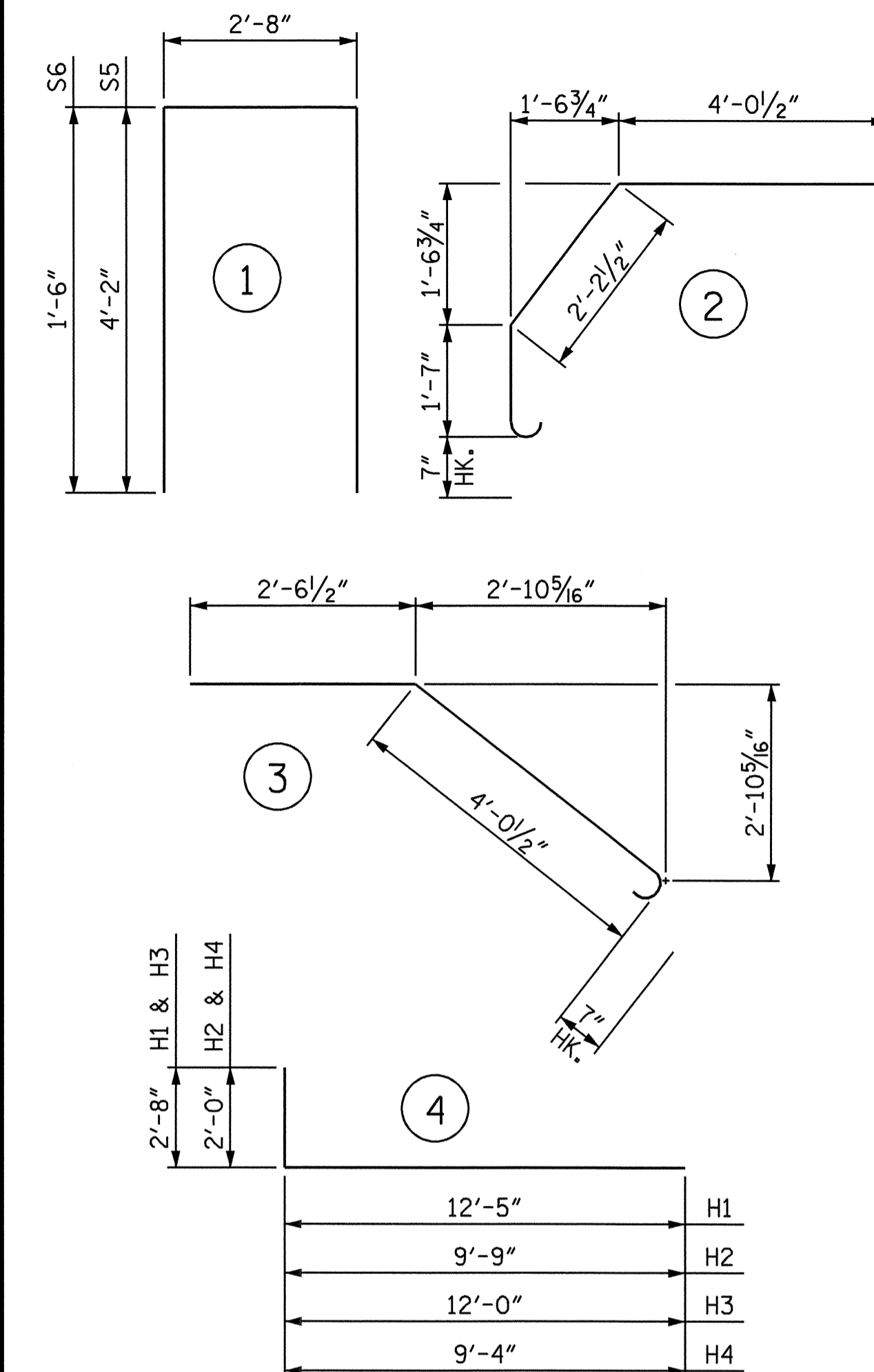
BAR	NO.	SIZE	TYPE	LENGTH	WEIGHT
*A1	408	#5	STR	38'-11"	16561
A2	408	#5	STR	38'-11"	16561
*B1	66	#4	STR	19'-5"	856
*B2	192	#7	STR	37'-0"	14521
*B3	99	#4	STR	24'-9"	1637
B4	220	#5	STR	49'-4"	11320
H1	12	#5	4	15'-1"	189
H2	12	#5	4	11'-9"	147
H3	12	#5	4	14'-8"	184
H4	12	#5	4	11'-4"	142
K1	20	#5	STR	44'-11"	937
S5	88	#4	1	11'-0"	647
S6	12	#4	1	5'-8"	45
*S7	68	#5	2	8'-5"	597
*S8	68	#5	3	7'-2"	508

REINFORCING STEEL = 30172 LBS  
\*EPOXY COATED REINFORCING STEEL = 34680 LBS

**GROOVING BRIDGE FLOORS**

APPROACH SLABS	1,639	SQ.FT.
BRIDGE DECK	7,865	SQ.FT.
TOTAL	9,504	SQ.FT.

**BAR TYPES**



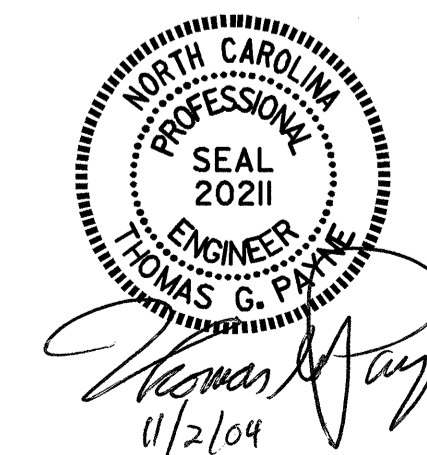
ALL BAR DIMENSIONS ARE OUT TO OUT

**SUPERSTRUCTURE BILL OF MATERIAL**

	CLASS AA CONCRETE (CU.YDS.)	REINFORCING STEEL (LBS.)	EPOXY COATED REINFORCING STEEL (LBS.)
POUR 1	43.9	---	---
POUR 2	164.8	---	---
POUR 3	102.2	---	---
POUR 4	69.1	---	---
TOTALS**	380.0	30083	34680

\*\*QUANTITIES FOR BARRIER RAIL ARE NOT INCLUDED

PROJECT NO. R-2911D  
ROWAN COUNTY  
STATION: 304+22.00-L-



STATE OF NORTH CAROLINA  
DEPARTMENT OF TRANSPORTATION  
RALEIGH  
STANDARD  
SUPERSTRUCTURE  
BILL OF MATERIAL  
(RIGHT LANE)

REVISIONS						SHEET NO. S-105 TOTAL SHEETS 120
NO.	BY:	DATE:	NO.	BY:	DATE:	
1			3			120
2			4			

ASSEMBLED BY : S.H. SOCKWELL	DATE : 5/04
CHECKED BY : K.D. LAYNE	DATE : 5/04
DRAWN BY : JMB 5/87	REV. 6/1/94 EEM/GRP
CHECKED BY : SJD 9/87	REV. 8/16/99 RWW/LES