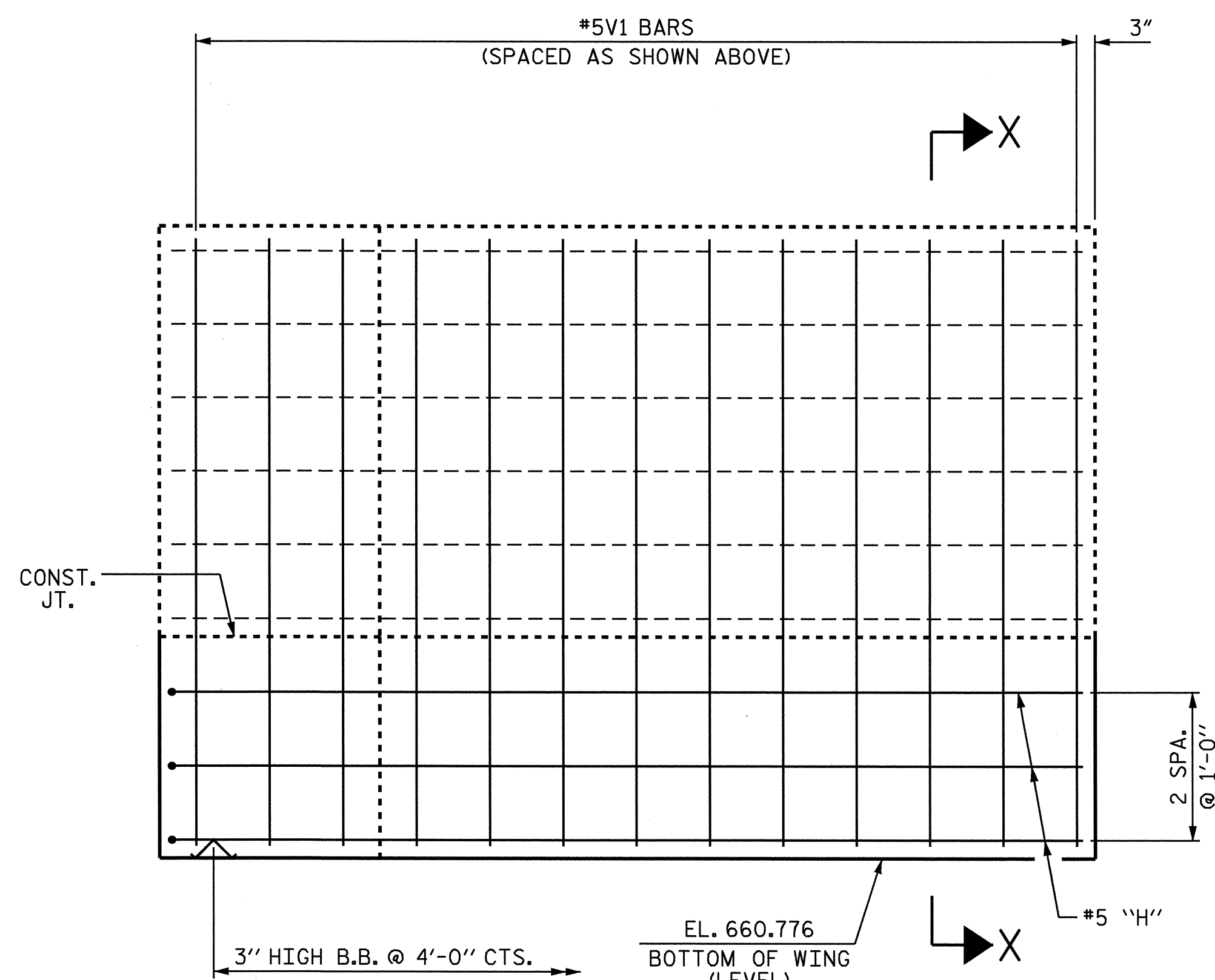
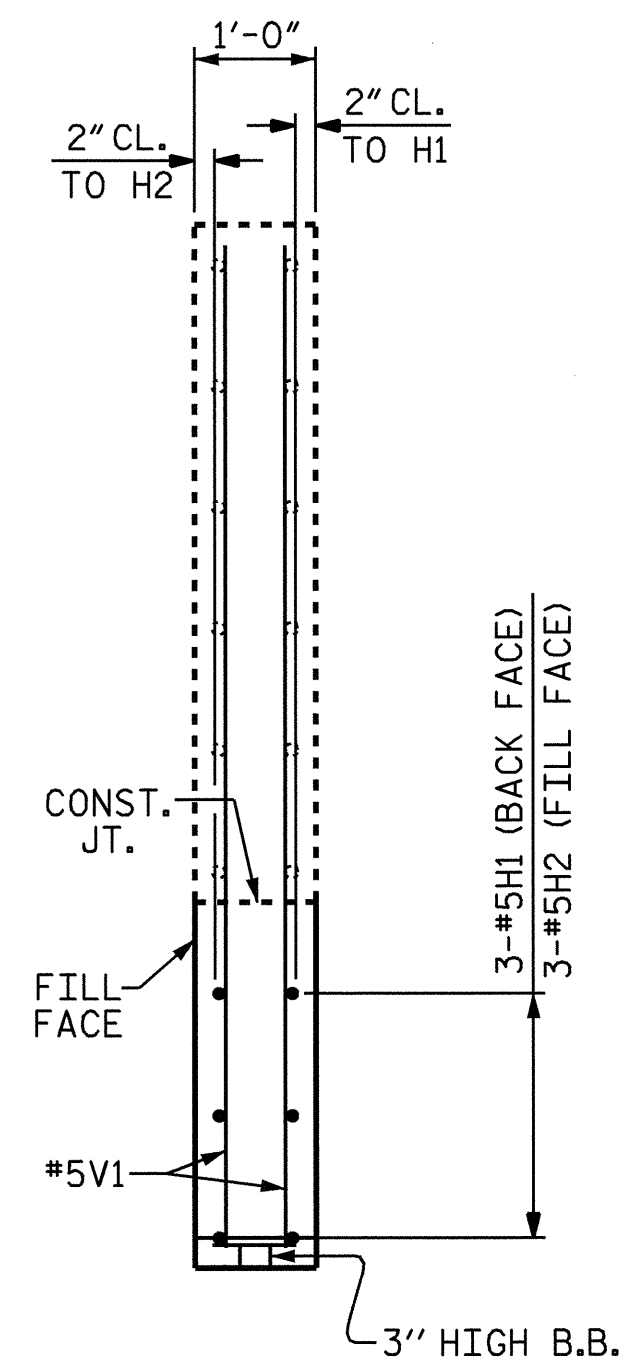


PLAN OF WING (W1)



ELEVATION OF WING (W1)



SECTION X-X

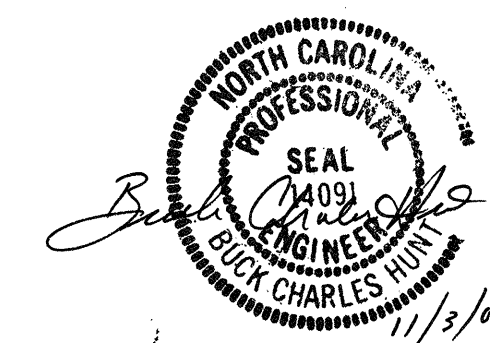
NOTE: THE UPPER PORTION OF THE WINGS SHALL BE POURED WITH THE SUPERSTRUCTURE. FOR DETAILS AND REINFORCING STEEL, SEE SUPERSTRUCTURE DETAILS.

PROJECT NO. R-2911D  
 ROWAN COUNTY  
 STATION: 304+22.00 -L-

SHEET 2 OF 3

STATE OF NORTH CAROLINA  
 DEPARTMENT OF TRANSPORTATION  
 RALEIGH

SUBSTRUCTURE  
 INTEGRAL  
 END BENT #1  
 RIGHT LANE



DRAWN BY: J.P. ADAMS DATE: 4/21/04  
 CHECKED BY: B.C. HUNT DATE: 5/5/04

02-NOV-2004 09:51  
 W:\squad\2911d\final\Str4\NR-2911D.sd.E\*.04.dgn  
 klayne

REVISIONS						SHEET NO.
NO.	BY:	DATE:	NO.	BY:	DATE:	S-107
1			3			TOTAL SHEETS
2			4			120

STR. #4