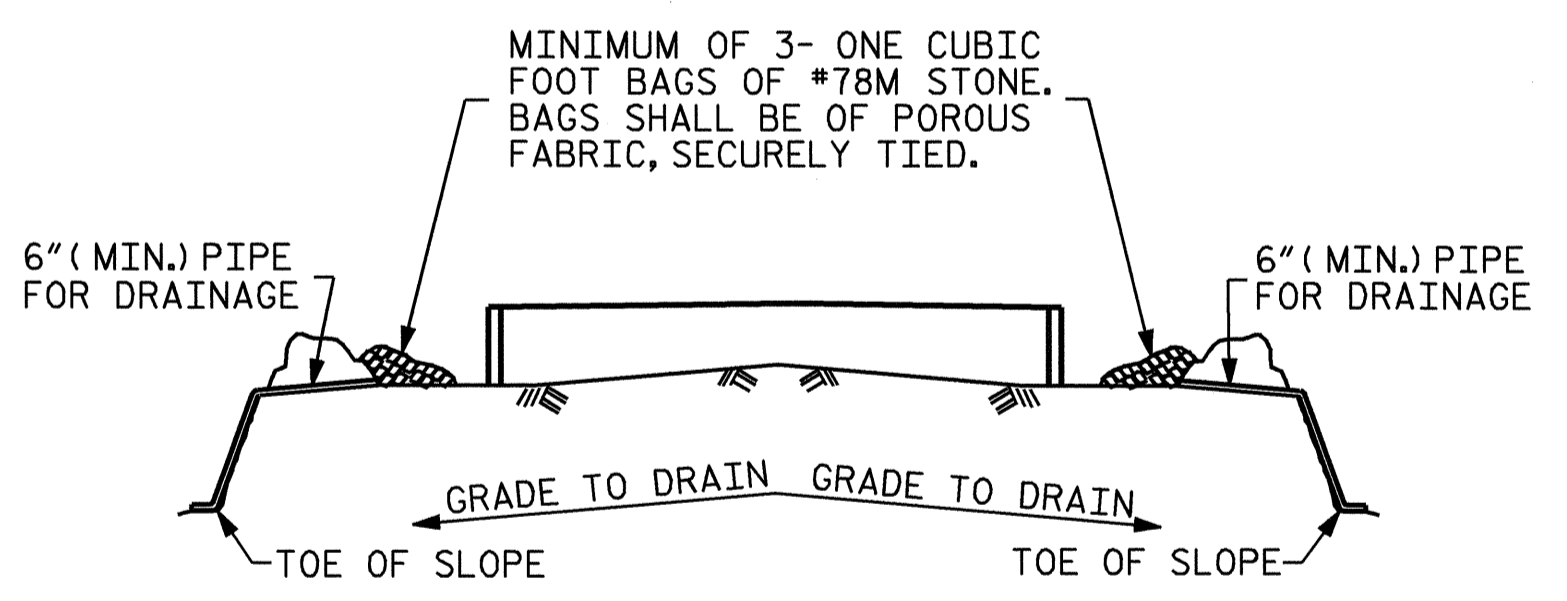


SECTION THRU CAP



MINIMUM OF 3- ONE CUBIC FOOT BAGS OF #78M STONE. BAGS SHALL BE OF POROUS FABRIC, SECURELY TIED.

6" (MIN.) PIPE FOR DRAINAGE

6" (MIN.) PIPE FOR DRAINAGE

GRADE TO DRAIN GRADE TO DRAIN

TOE OF SLOPE TOE OF SLOPE

BAGGED STONE AND PIPE SHALL BE PLACED IMMEDIATELY AFTER COMPLETION OF END BENT EXCAVATION. PIPE MAY BE EITHER CONCRETE, CORRUGATED STEEL, CORRUGATED ALUMINUM ALLOY, OR CORRUGATED PLASTIC. PERFORATED PIPE WILL NOT BE ALLOWED.

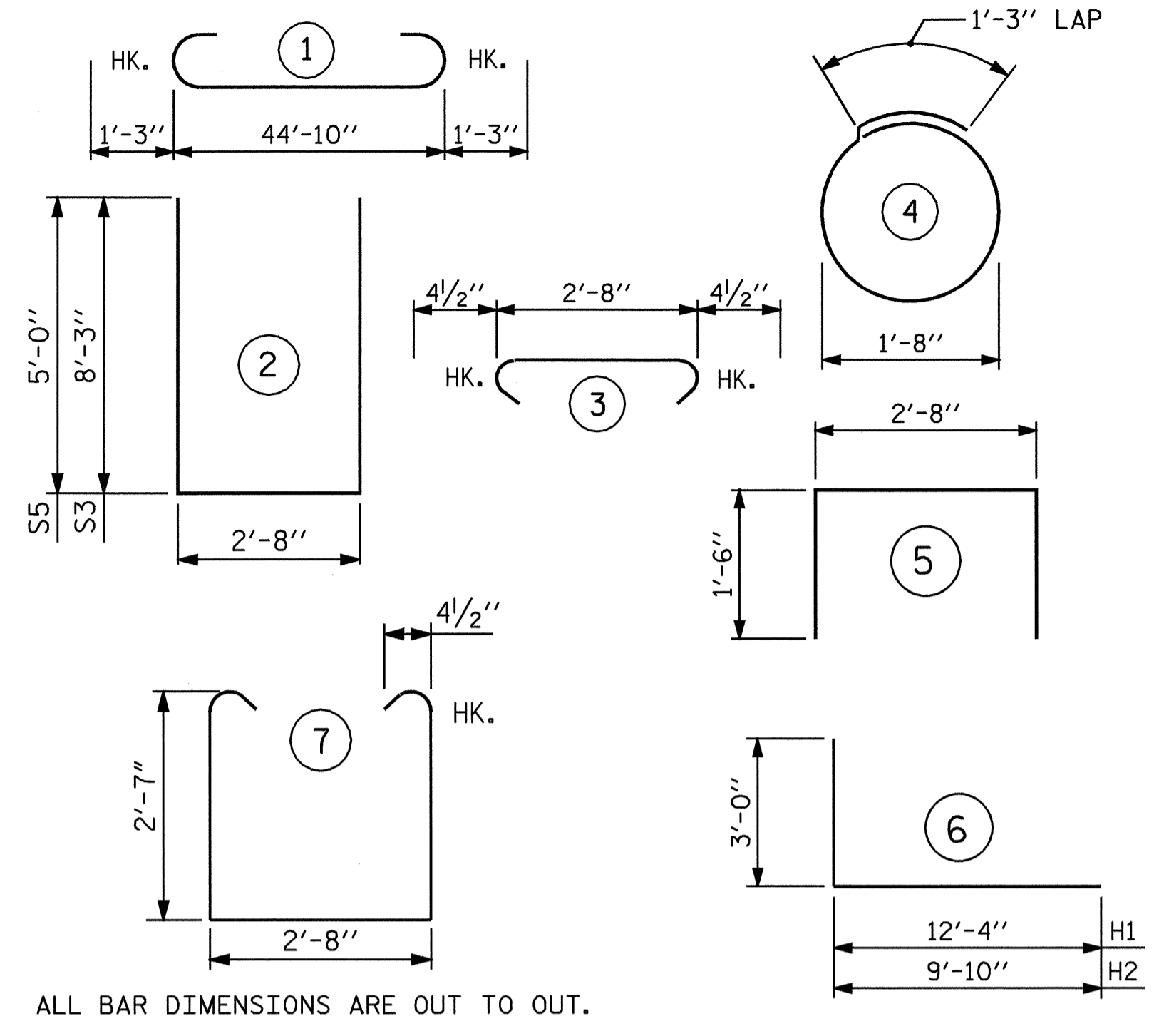
BAGGED STONE SHALL REMAIN IN PLACE UNTIL THE ENGINEER DIRECTS THAT IT BE REMOVED. THE CONTRACTOR SHALL REMOVE AND DISPOSE OF SILT ACCUMULATIONS AT BAGGED STONE WHEN SO DIRECTED BY THE ENGINEER. BAGS SHALL BE REMOVED AND REPLACED WHENEVER THE ENGINEER DETERMINES THAT THEY HAVE DETERIORATED AND LOST THEIR EFFECTIVENESS.

NO SEPARATE PAYMENT WILL BE MADE FOR THIS WORK AND THE ENTIRE COST OF THIS WORK SHALL BE INCLUDED IN THE UNIT CONTRACT PRICE BID FOR THE SEVERAL PAY ITEMS.

TEMPORARY DRAINAGE AT END BENT

DRAWN BY : J.P. ADAMS DATE : 4/21/04
 CHECKED BY : B.C. HUNT DATE : 5/5/04

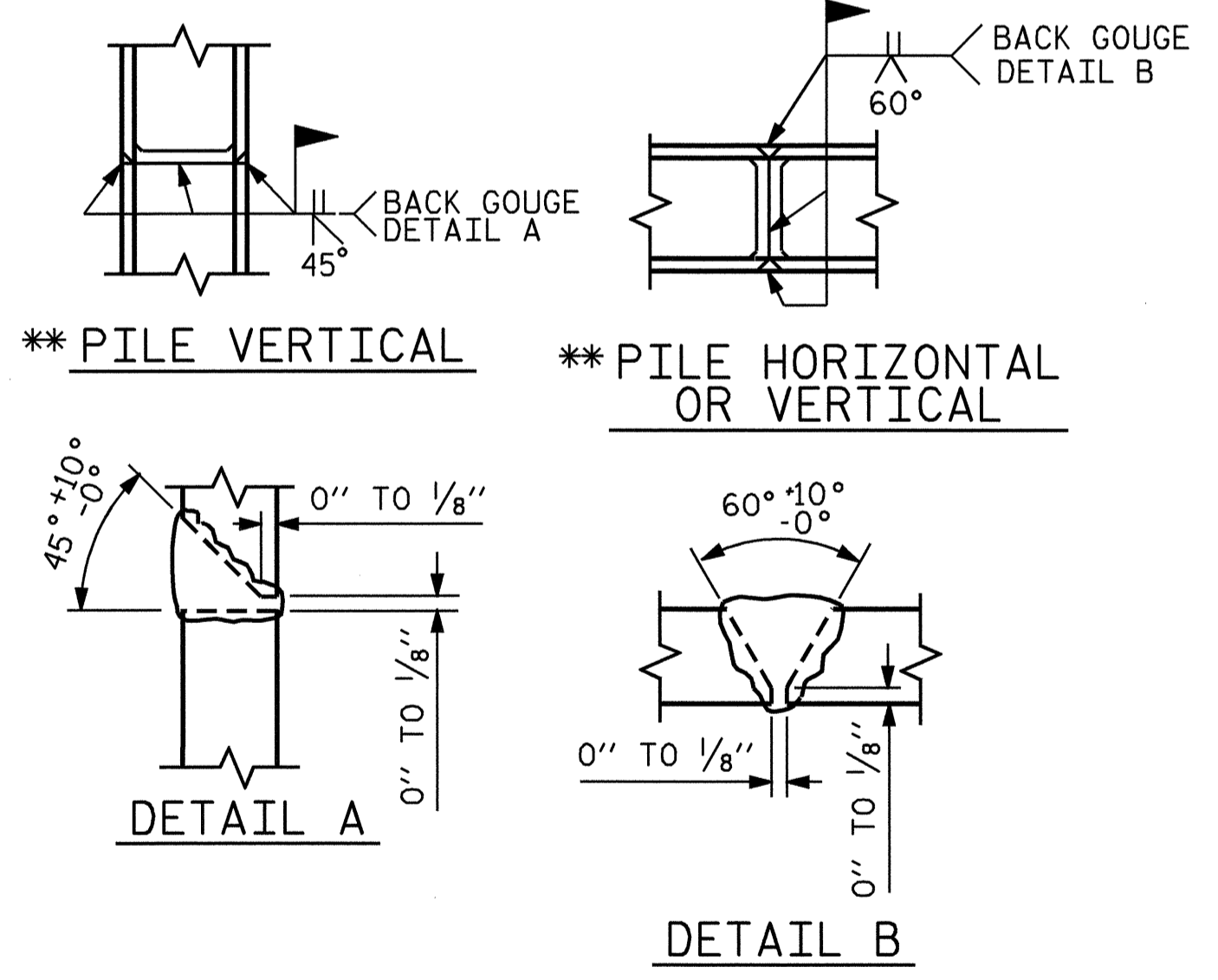
BAR TYPES



ALL BAR DIMENSIONS ARE OUT TO OUT.

BILL OF MATERIAL

INTEGRAL END BENT #1					
BAR	NO.	SIZE	TYPE	LENGTH	WEIGHT
B1	8	9	1	47'-4"	1287
B2	6	5	STR	44'-11"	281
B3	8	4	STR	23'-10"	127
B4	8	4	STR	2'-8"	14
B5	4	4	STR	21'-4"	57
H1	6	5	6	15'-4"	96
H2	6	5	6	12'-10"	80
S1	42	4	7	8'-7"	241
S2	42	4	3	3'-5"	96
S3	6	4	2	19'-2"	77
S4	24	4	4	6'-6"	104
S5	44	4	2	12'-8"	372
U1	15	4	5	5'-8"	57
V1	46	5	STR	8'-3"	396
REINFORCING STEEL					LBS 3285
CLASS 'A' CONCRETE					18.6 C.Y.
HP 12 X 53 STEEL PILES					
NO. 8					LIN. FT. 320



PILE SPLICE DETAILS

** POSITION OF PILE DURING WELDING.

PROJECT NO. R-2911D
ROWAN COUNTY
 STATION: 304+22.00 -L-

SHEET 3 OF 3

STATE OF NORTH CAROLINA
 DEPARTMENT OF TRANSPORTATION
 RALEIGH

SUBSTRUCTURE
 INTEGRAL
 END BENT #1
 RIGHT LANE



REVISIONS						SHEET NO.	
NO.	BY:	DATE:	NO.	BY:	DATE:	S-108	
1			3			TOTAL	120
2			4				