

NOTES

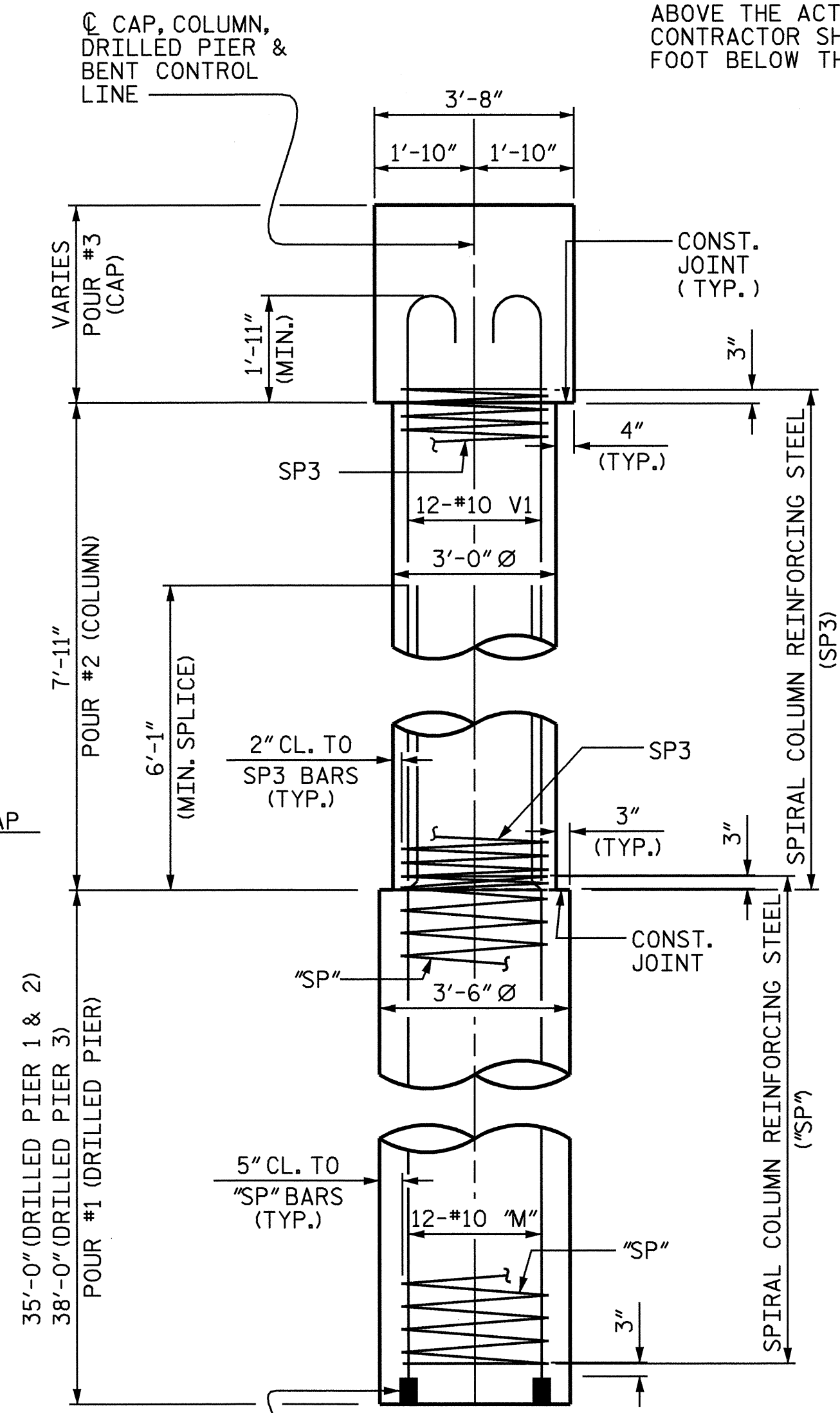
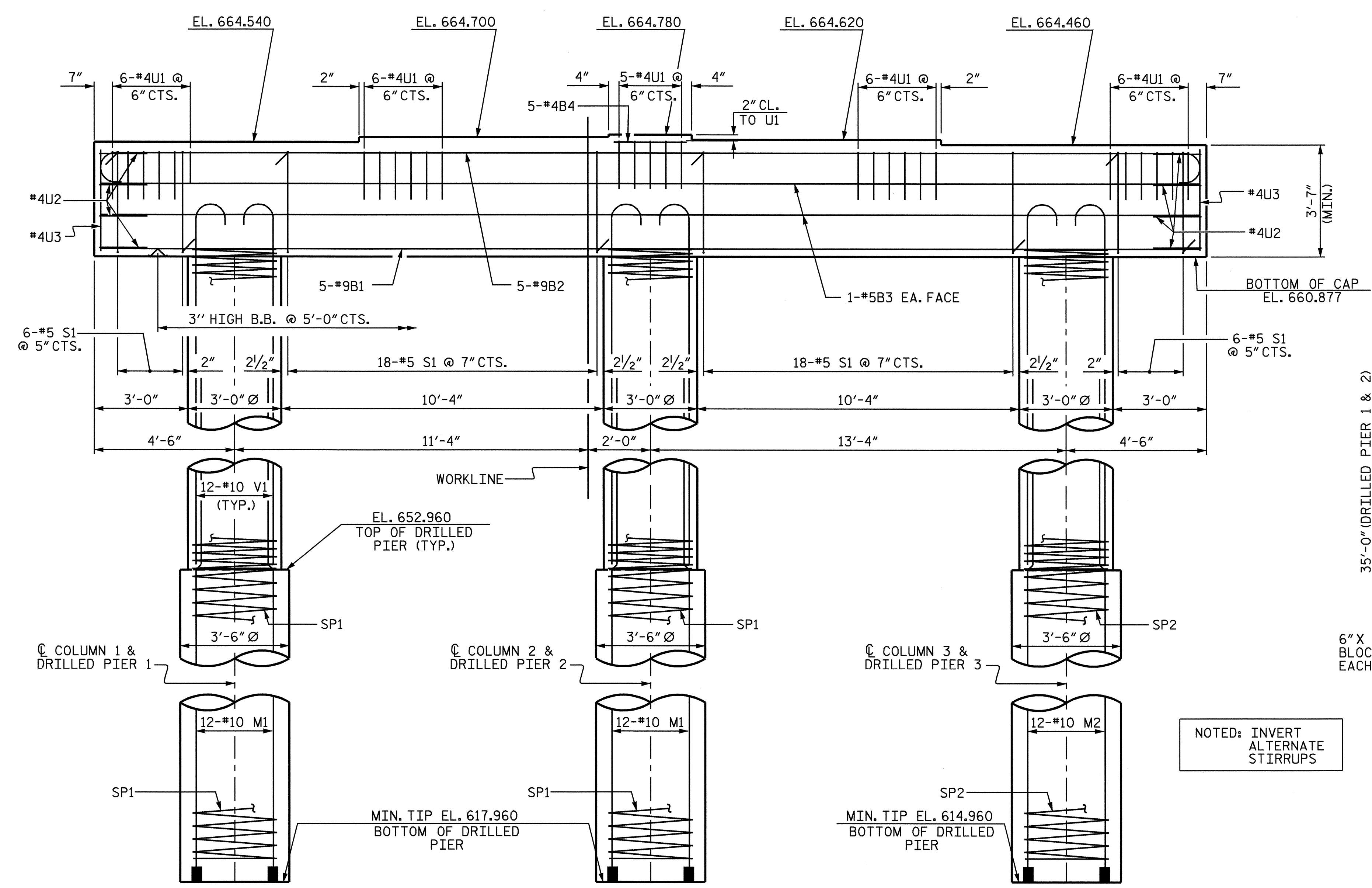
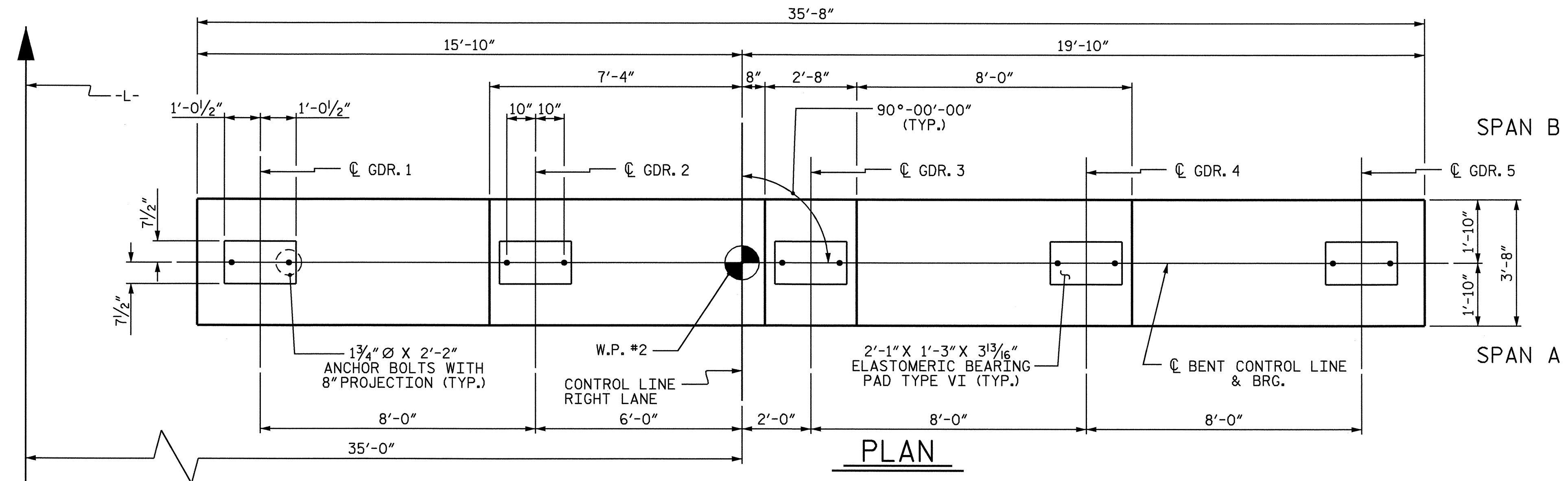
STIRRUPS IN CAP MAY BE SHIFTED AS NECESSARY TO CLEAR ANCHOR BOLTS.

HOOKS ON "V" BARS MAY BE TURNED AS NECESSARY FOR PLACING REINFORCING STEEL.

ALL STEEL IN THE DRILLED PIERS IS INCLUDED IN THE PAY ITEMS FOR REINFORCING STEEL AND SPIRAL COLUMN REINFORCING STEEL.

THE CONTRACTOR'S ATTENTION IS CALLED TO THE FACT THAT THE LONGITUDINAL REINFORCEMENT FOR DRILLED PIERS IS DETAILED WITH THREE FEET OF EXTRA LENGTH.

THE LOCATION OF THE CONSTRUCTION JOINT IN THE DRILLED PIER IS BASED ON AN APPROXIMATE GROUND LINE ELEVATION. IF THE CONSTRUCTION JOINT IS ABOVE THE ACTUAL GROUND LINE ELEVATION, THE CONTRACTOR SHALL PLACE THE CONSTRUCTION JOINT ONE FOOT BELOW THE GROUND LINE.

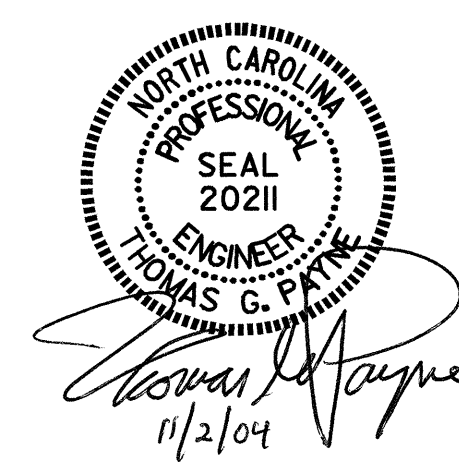


NOTED: INVERT ALTERNATE STIRRUPS

DIMENSIONS & REINFORCING STEEL ARE TYPICAL FOR EACH COLUMN AND DRILLED PIER EXCEPT AS NOTED

PROJECT NO. R-2911D
ROWAN COUNTY
 STATION: 304+22.00 -L-
 SHEET 1 OF 2

STATE OF NORTH CAROLINA DEPARTMENT OF TRANSPORTATION RALEIGH						SHEET NO. S-109 TOTAL SHEETS 120
SUBSTRUCTURE BENT 1 (RIGHT LANE)						
REVISIONS						
NO.	BY:	DATE:	NO.	BY:	DATE:	
1			3			
2			4			



DRAWN BY: H. A. LOCKLEAR DATE: 4/20/04
 CHECKED BY: J. P. ADAMS DATE: 7/23/04